

**Timber reveal**

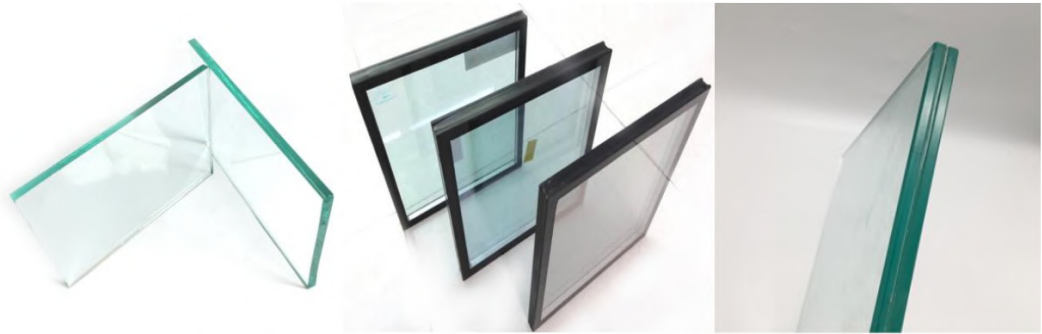
**Subframe**

**Subsill+subhead**





**SS Flydoor**



**Single glass**

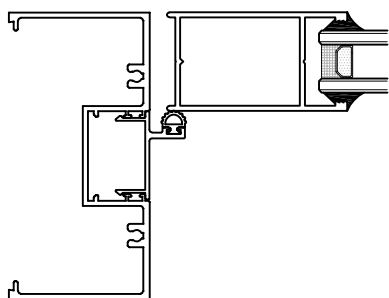
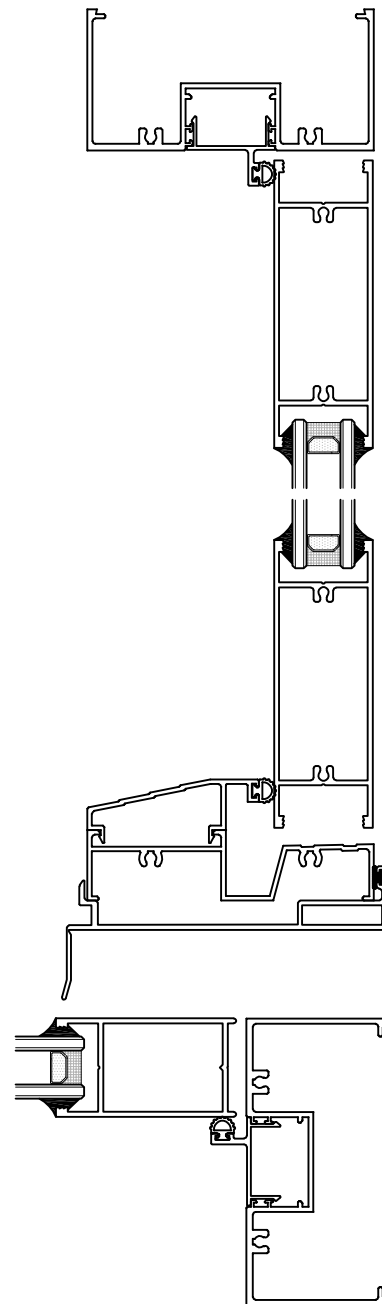
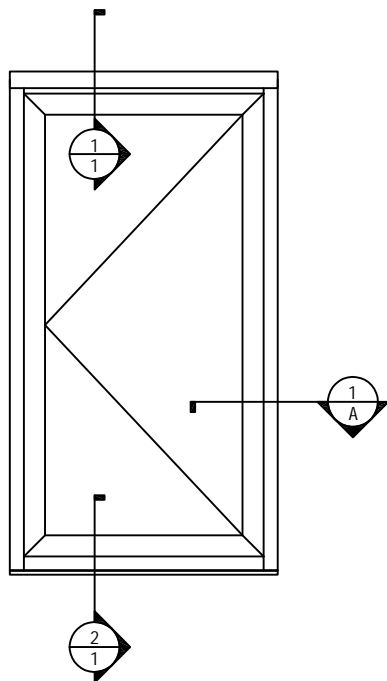
**Double glazed**

**Laminated glass**



# H35 Hinged Door

## Product Brief Introduction



### COMPATIBLE WITH

- C101 Series Fix Window.
- T101 Series Sliding Door.
- HDT101 Series Sliding Door.

### Features & Benefits

- 101.6mm X 50mm Frame.
- Architectural Applications.
- Supports Single Glazing.
- Compatible Door And Window.

### GLAZING DETAILS

- 10.78Lam
- 5Clr;5Obs
- 6Clr;6Obs
- 5Clr/12Ar/ 5Clr
- 5Obs /12Ar/ 5Clr
- 5Low-E/12Ar/ 5Clr
- 6Clr/12Ar/ 6Clr
- 6Obs /12Ar/ 6Clr
- 6Low-E/12Ar/ 6Clr

### PRODUCT SPECS

Max.Recommended Sizes

- Height: 2400
- Width: 900

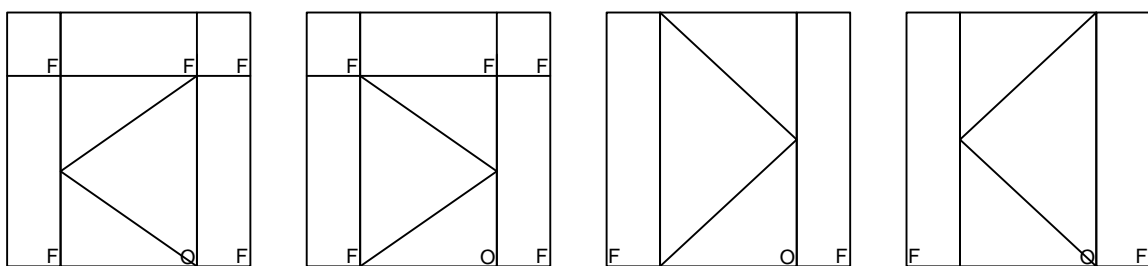
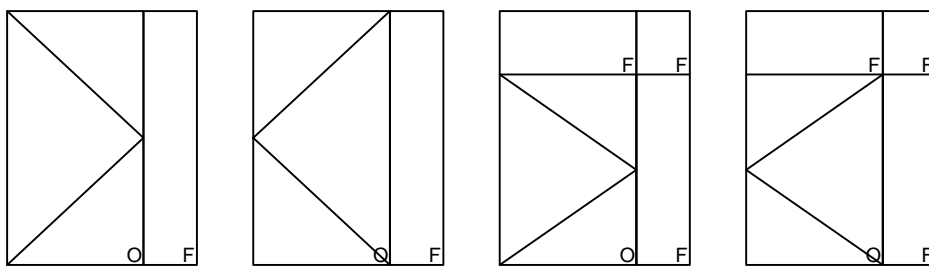
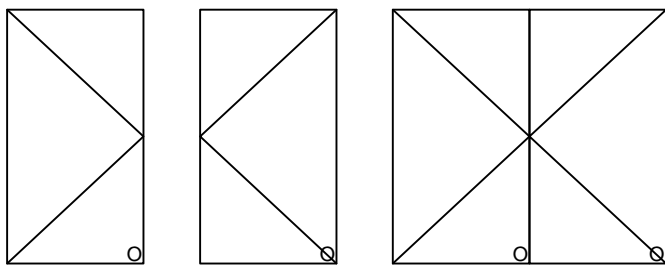
Max.Product Performance

- Water (PA): 150 Pa

# H35 Hinged Door

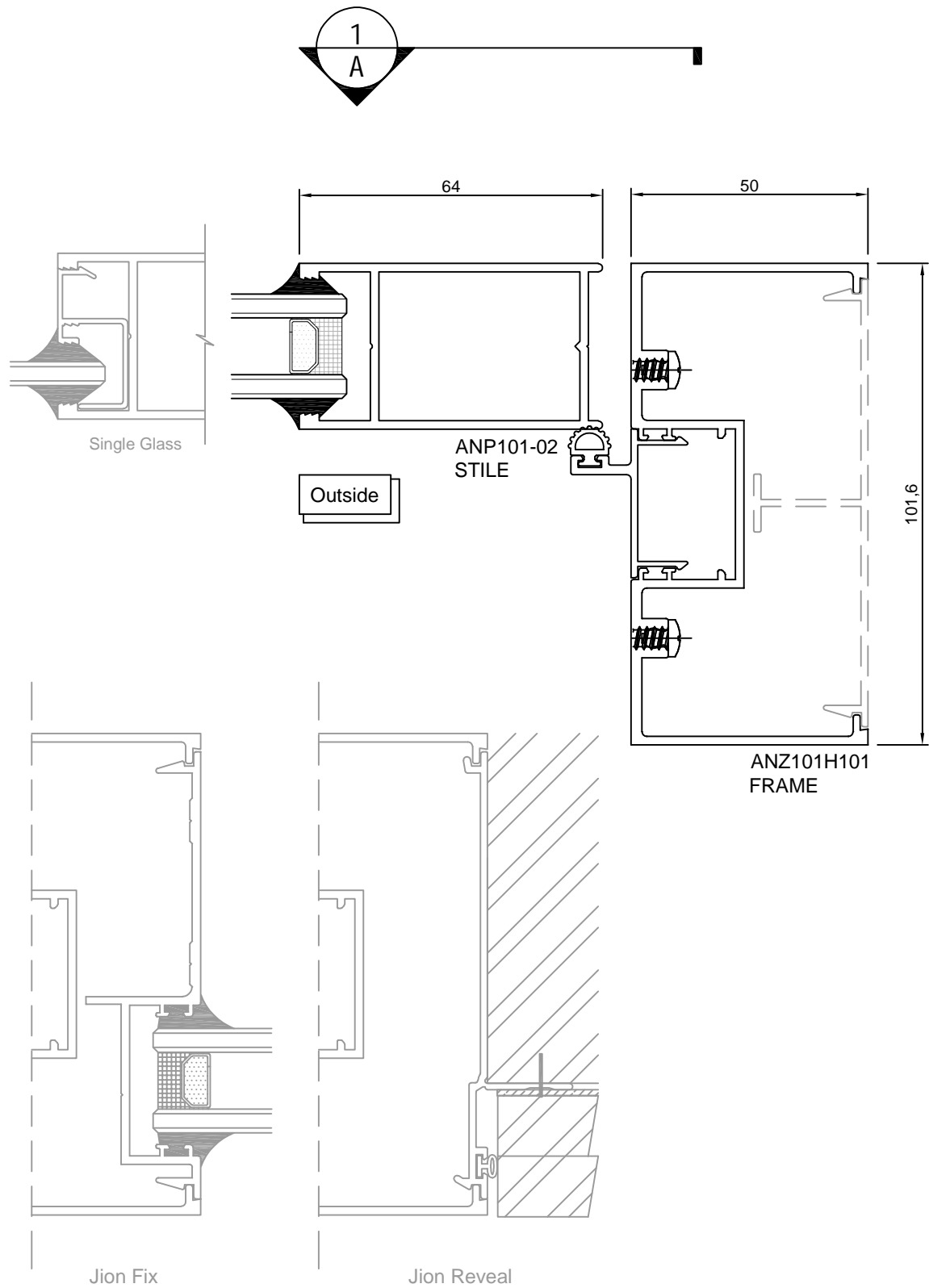
## Product form

---



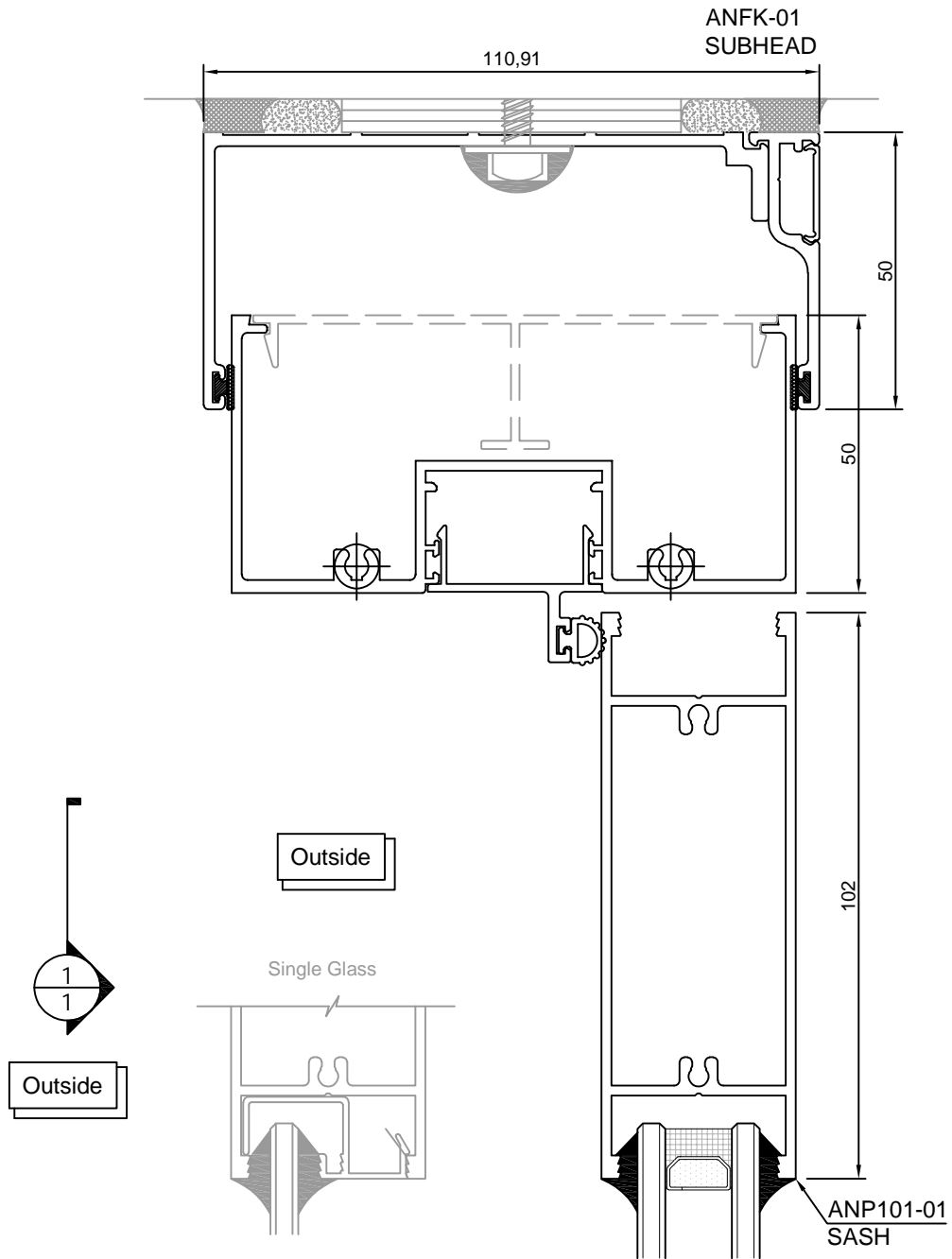
# H35 Hinged Door

## Product Detail



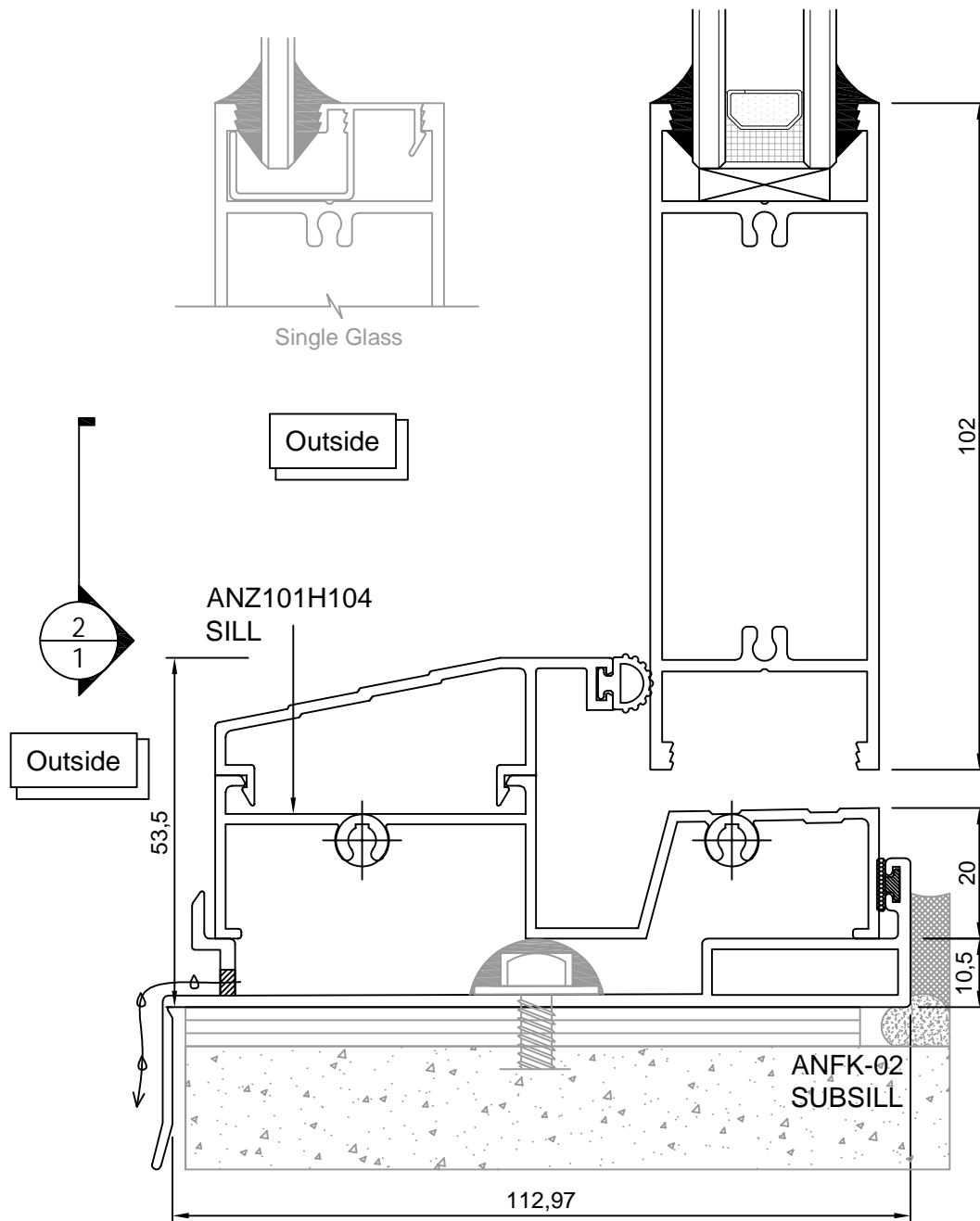
# H35 Hinged Door

## Product Detail



# H35 Hinged Door

## Product Detail



# H35 Hinged Door

## Product Detail

---

