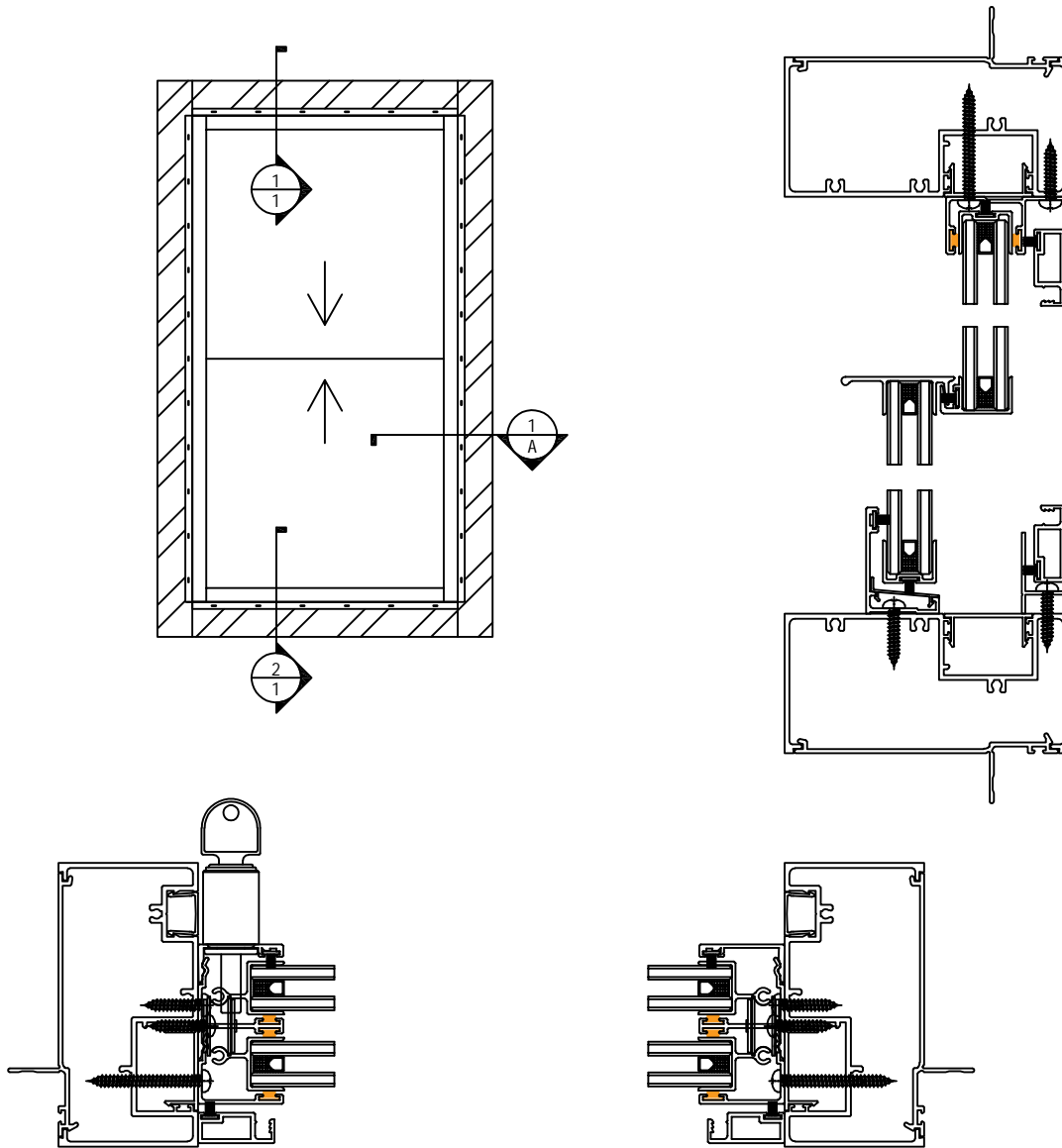


# C101 Sashless Window

## Product Brief Introduction



### COMPATIBLE WITH

- C101 Series Fix Window.
- T101 Series Sliding Door.
- H35 Series Hinged Door.
- H45 Series Hinged Door.

### Features & Benefits

- 101.6mm X 50mm Frame.
- Architectural Applications.
- Supports Single Glazing.
- Compatible Door And Window.

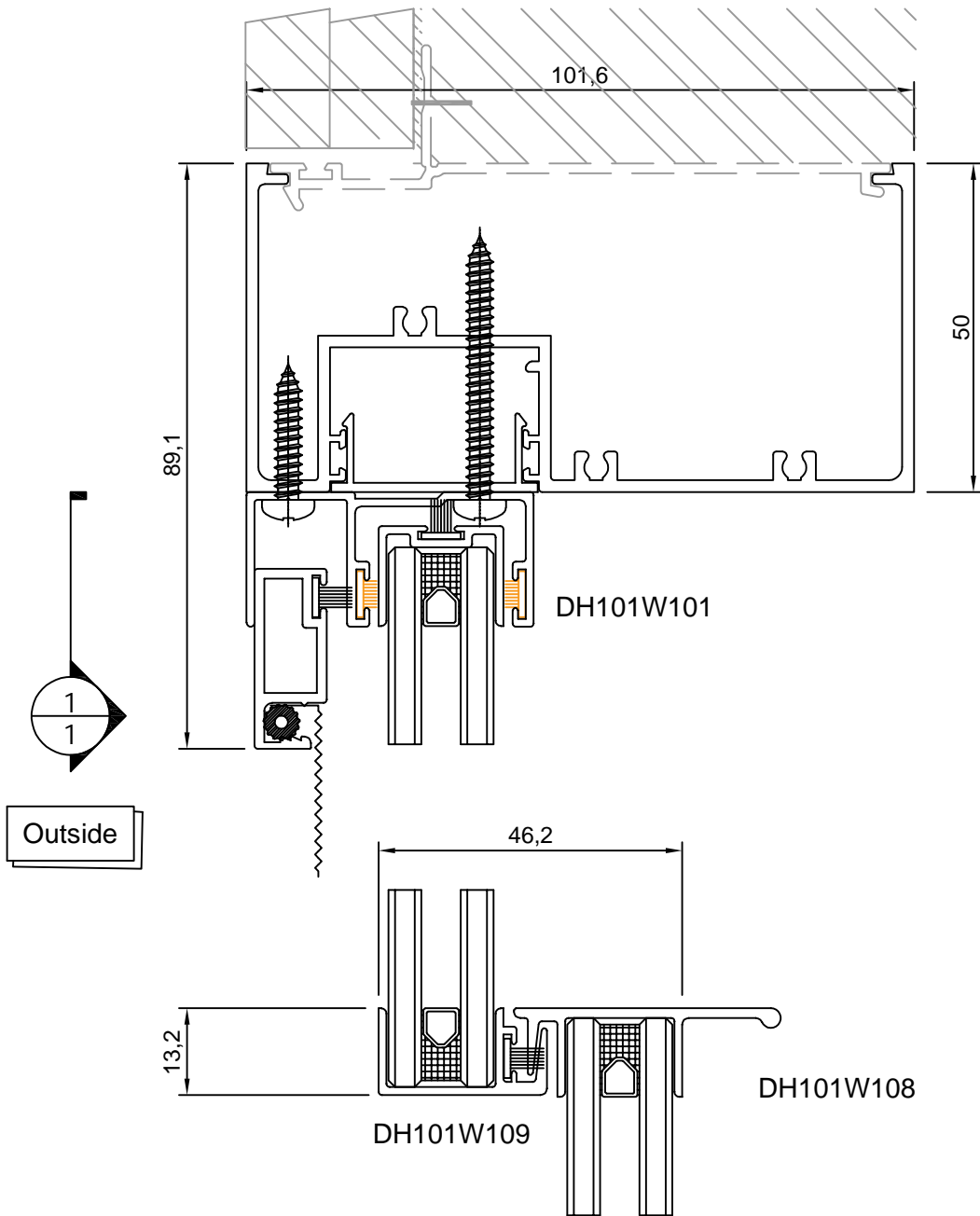
### GLAZING DETAILS

- 5Clr/6Ar/5Clr
- 5Obs/6Ar/5Clr



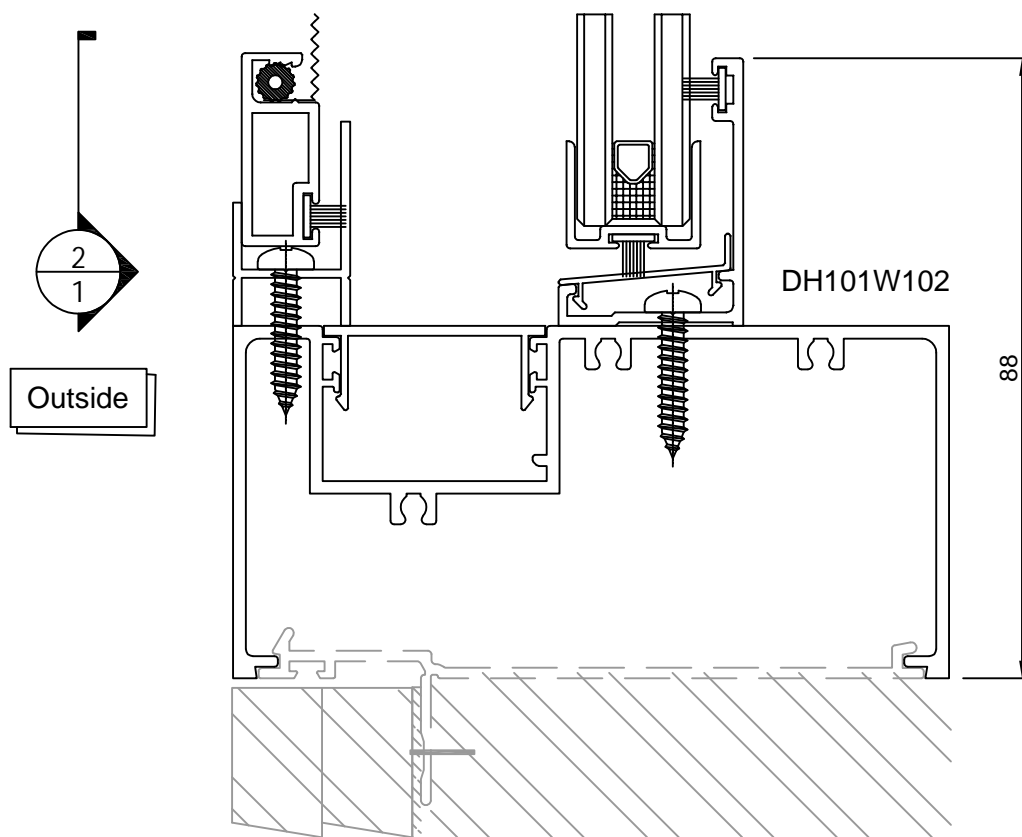
# C101 Sashless Window

## Product Detail



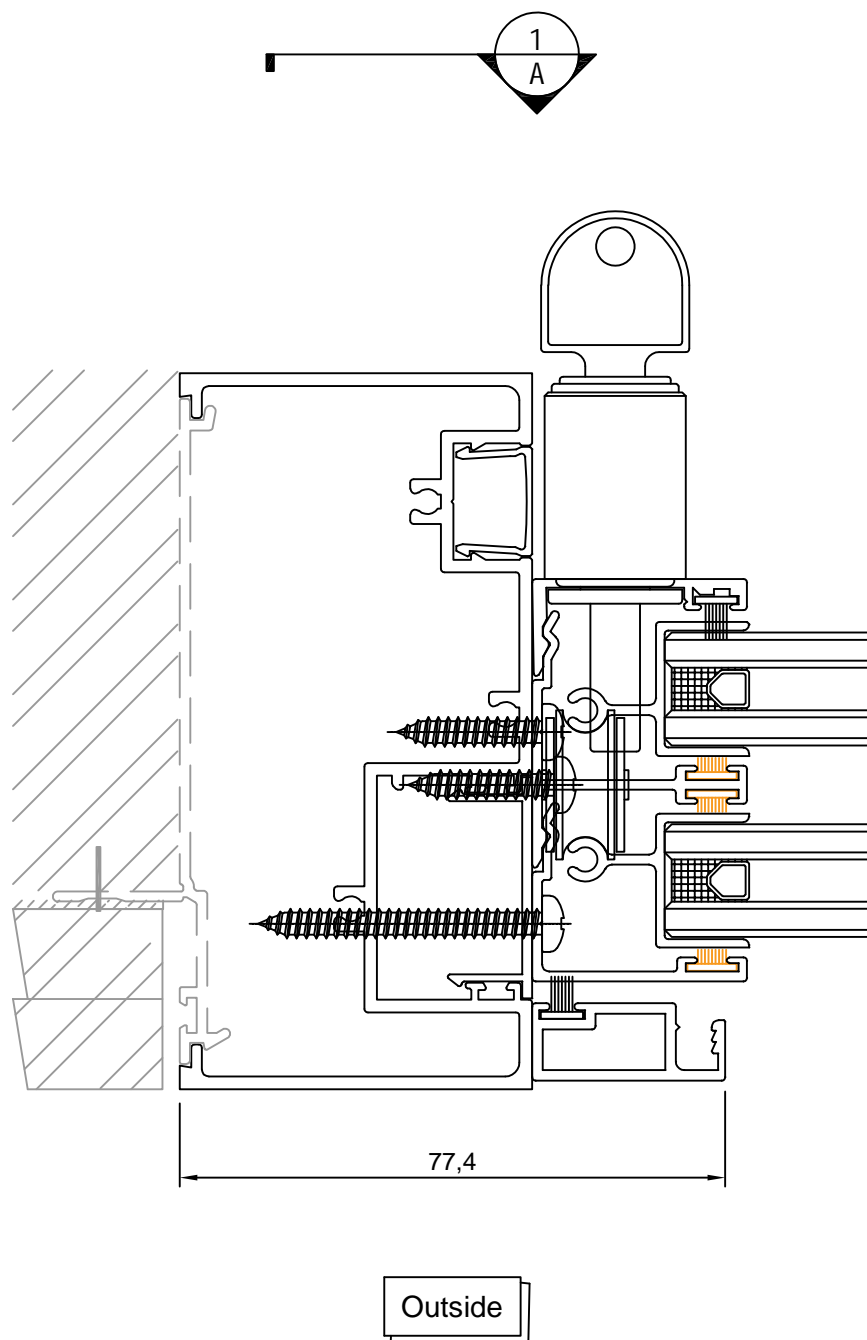
# C101 Sashless Window

## Product Detail



# C101 Sashless Window

## Product Detail



# C101 Sashless Window

## Product Detail

