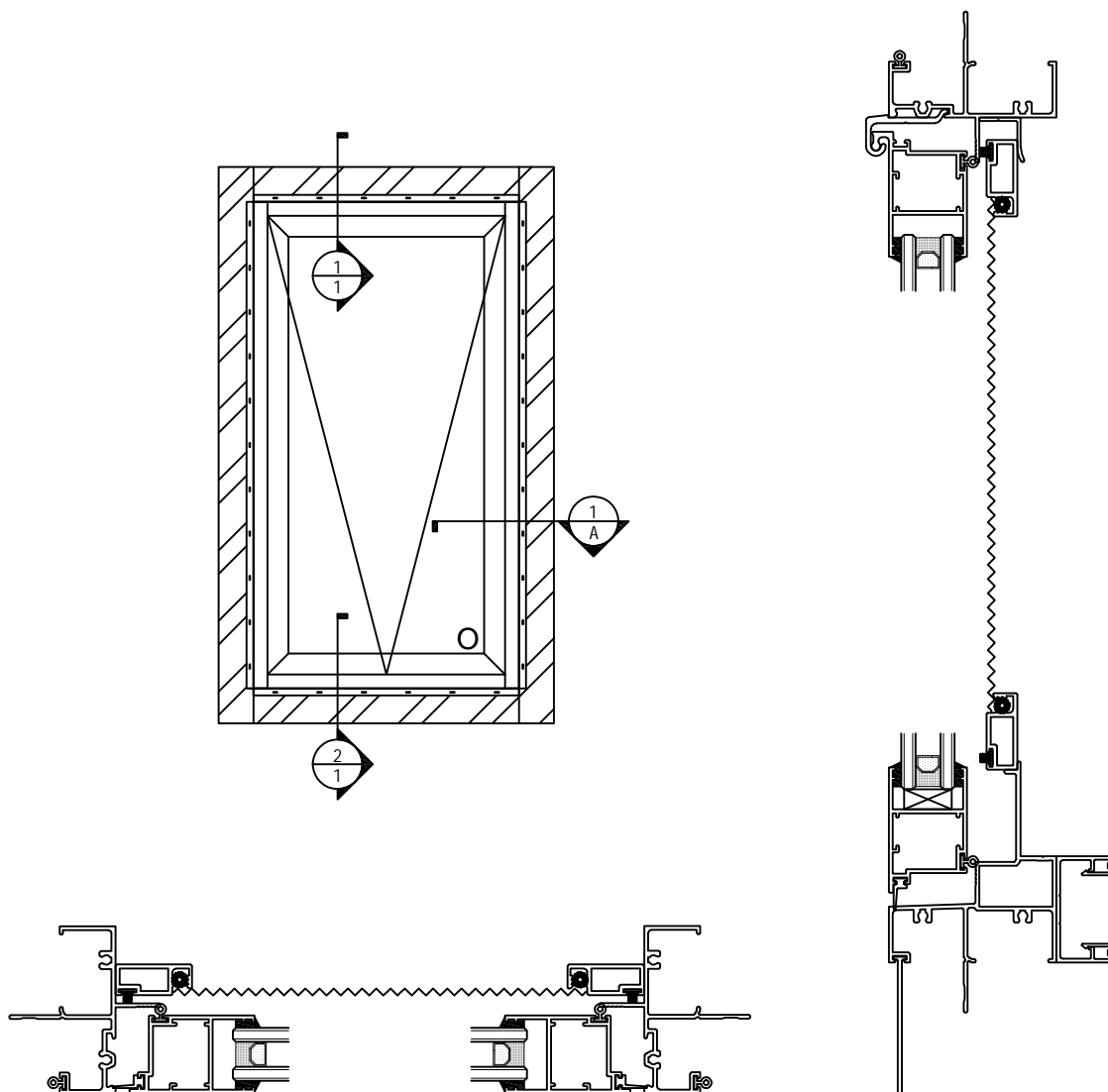




Product Brief Introduction



**COMPATIBLE WITH**

- C60 Series Fix Window

**Features & Benefits**

- 60mm X 20mm Frame.
- Architectural Applications.
- Supports Single Glazing.

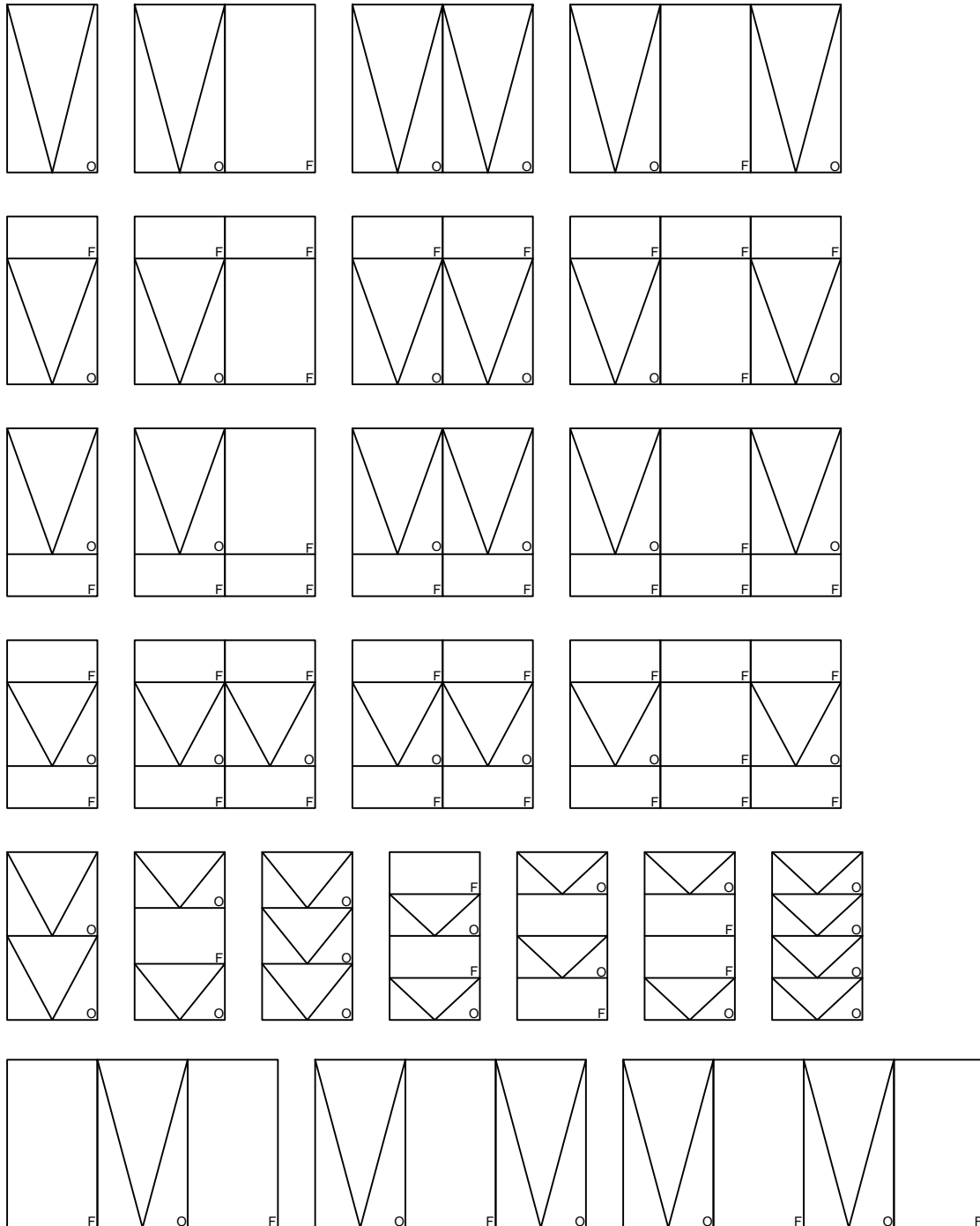
**GLAZING DETAILS**

- 10.78Lam
- 5Clr;5Obs
- 6Clr;6Obs
- 5Clr/9Ar/ 5Clr
- 5Obs /9Ar/ 5Clr
- 5Low-E/9Ar/ 5Clr

BUY WINDOWS  
 COPYRIGHT - THIS DRAWING CONTAINS BUY WINDOWS  
 PRIVILEGED INFORMATION AND IS THE  
 SUBJECT OF COPYRIGHT AND THE  
 DRAWING OR ANY PER THEREOF MAY  
 NOT BE REPRODUCED, COPIED OR LOANED IN ANY FORM WITHOUT THE PERMISSION OF BUY WINDOWS

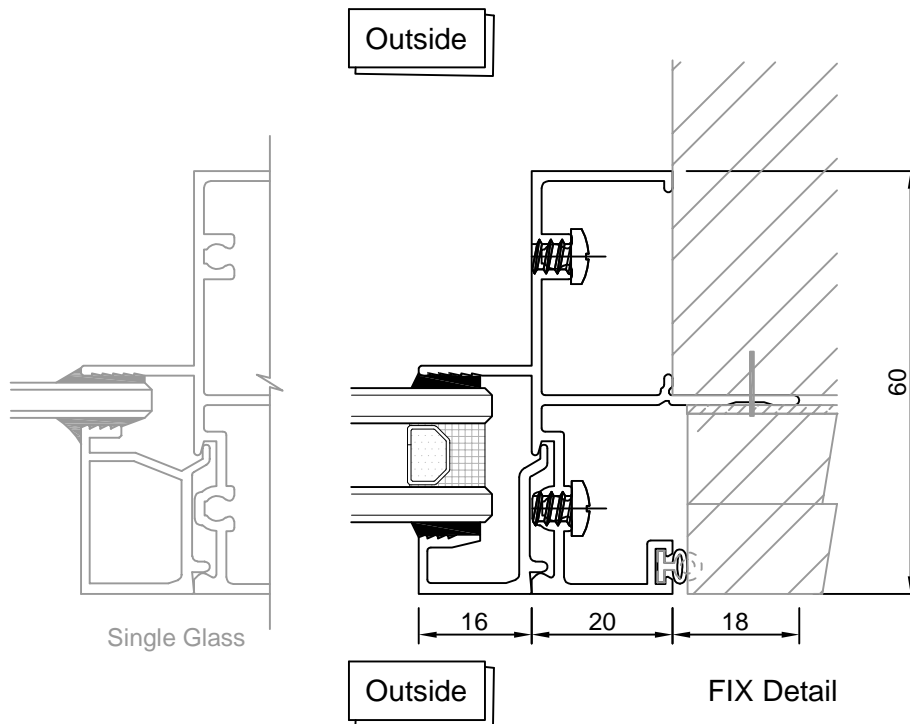
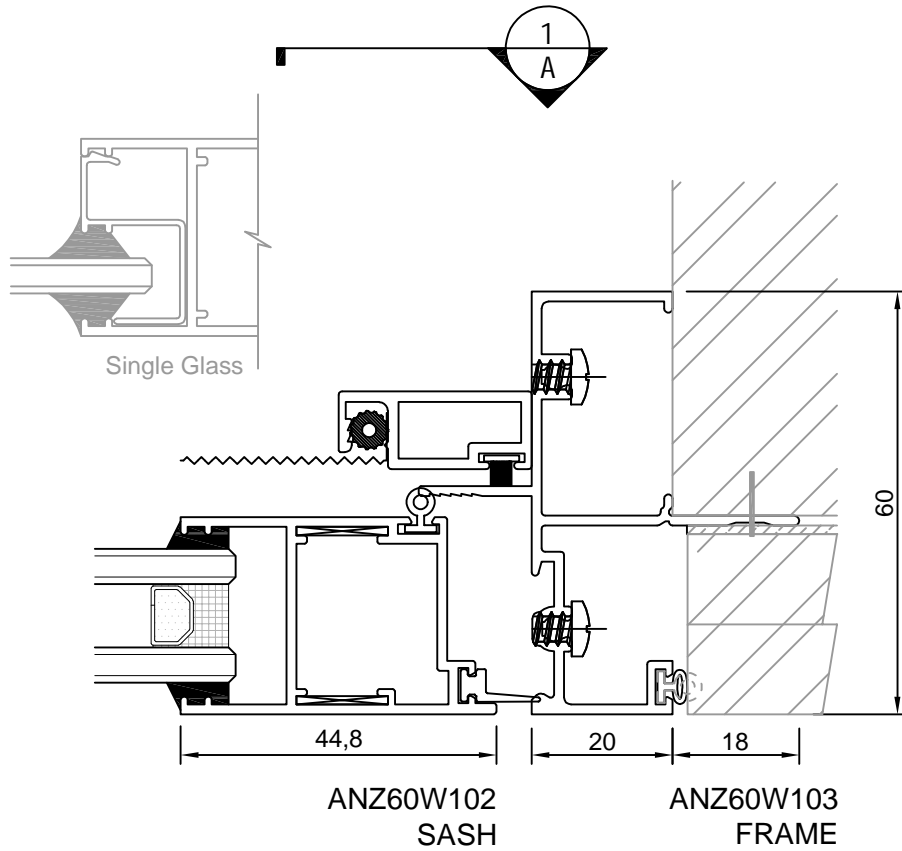


## Product form



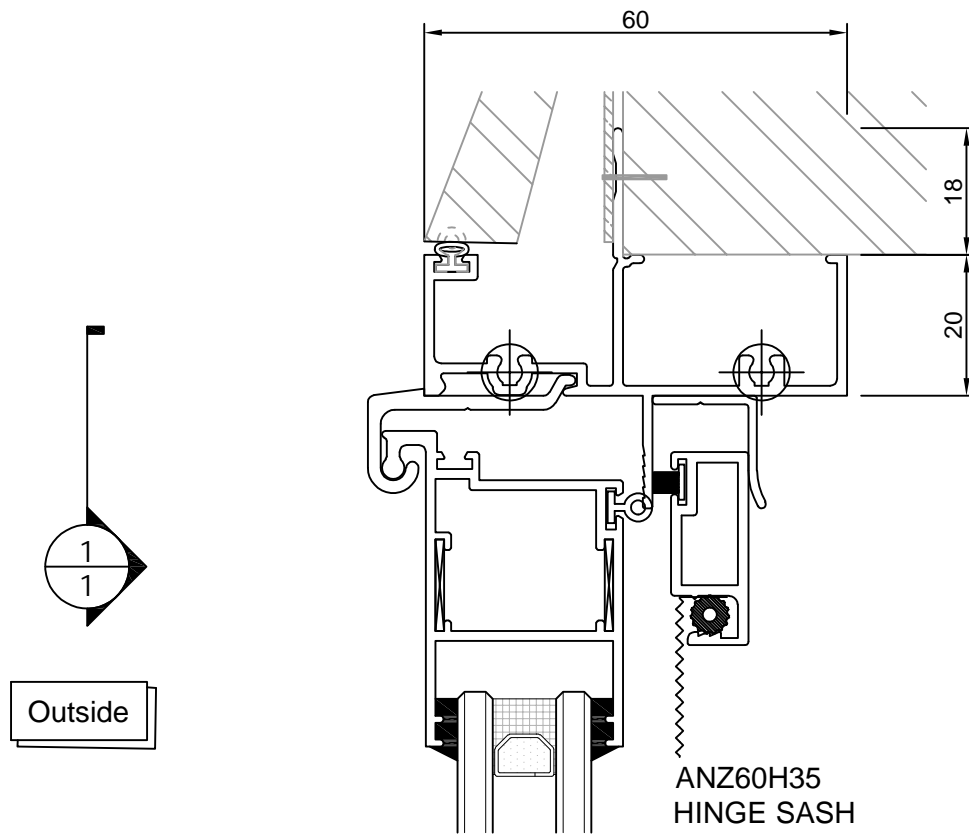
# C60 Residential Series Awning Window

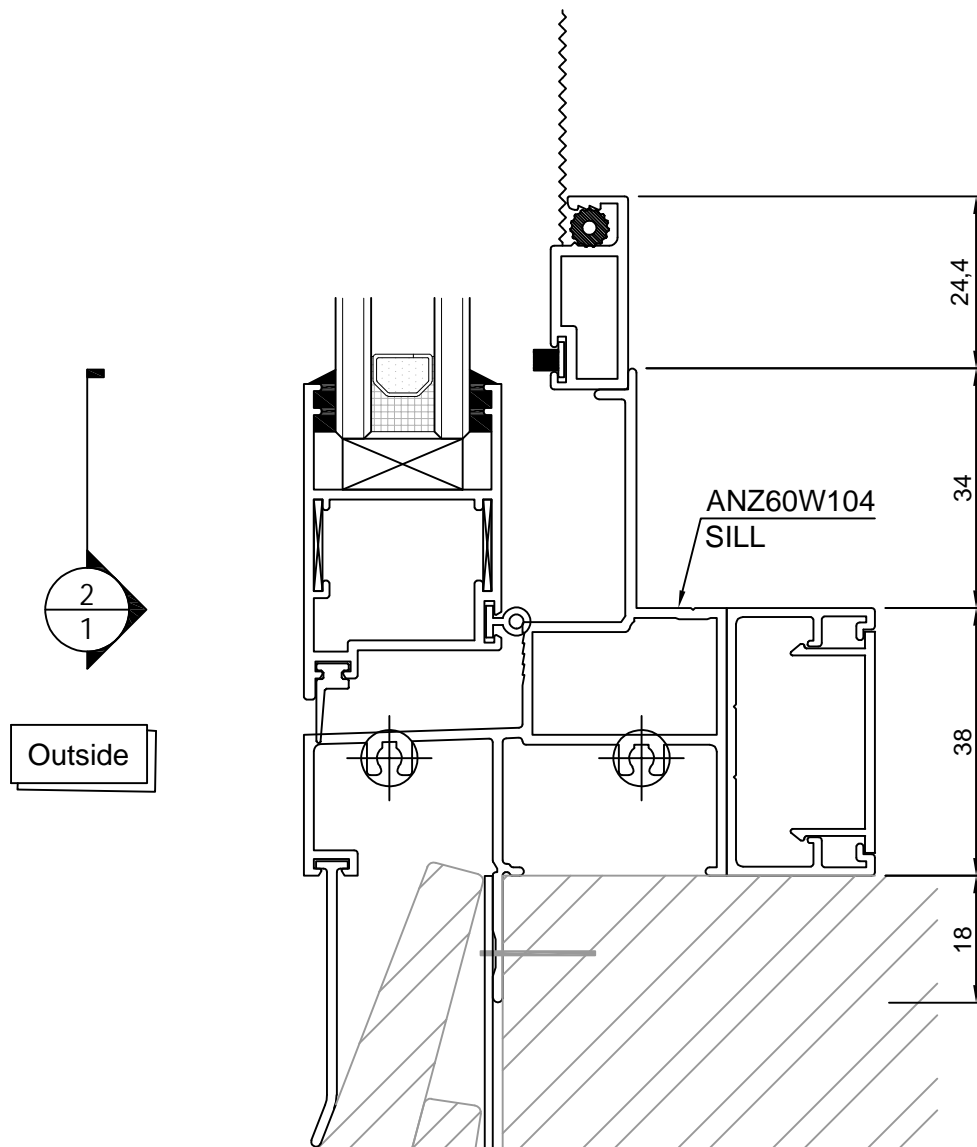
## Product Detail



BUY WINDOWS  
 COPYRIGHT - THIS DRAWING CONTAINS BUY WINDOWS  
 PRIVILEGED INFORMATION AND IS THE  
 SUBJECT OF COPYRIGHT AND THE  
 DRAWING OR ANY PER THEREOF MAY  
 NOT BE REPRODUCED, COPIED OR LOANED IN ANY FORM WITHOUT THE PERMISSION OF BUY WINDOWS

03/12/2019 V5

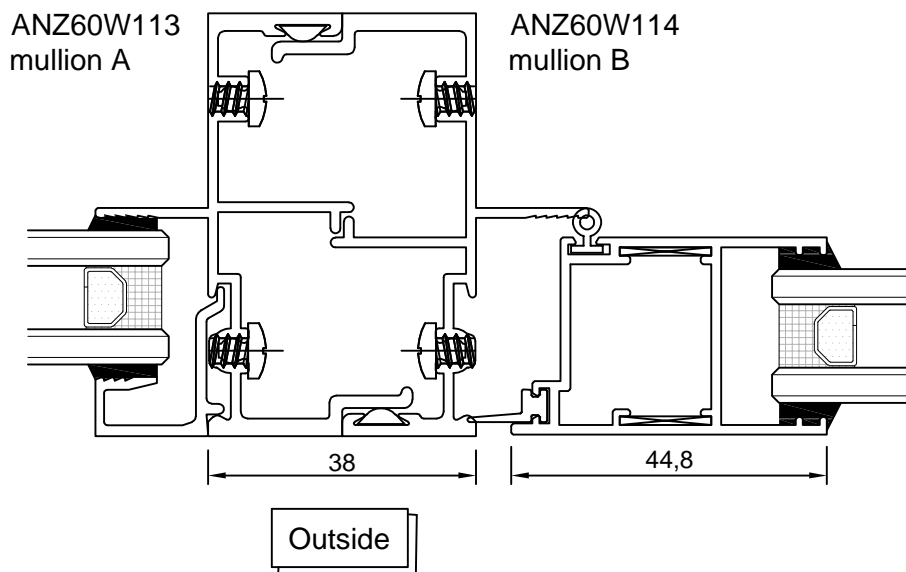
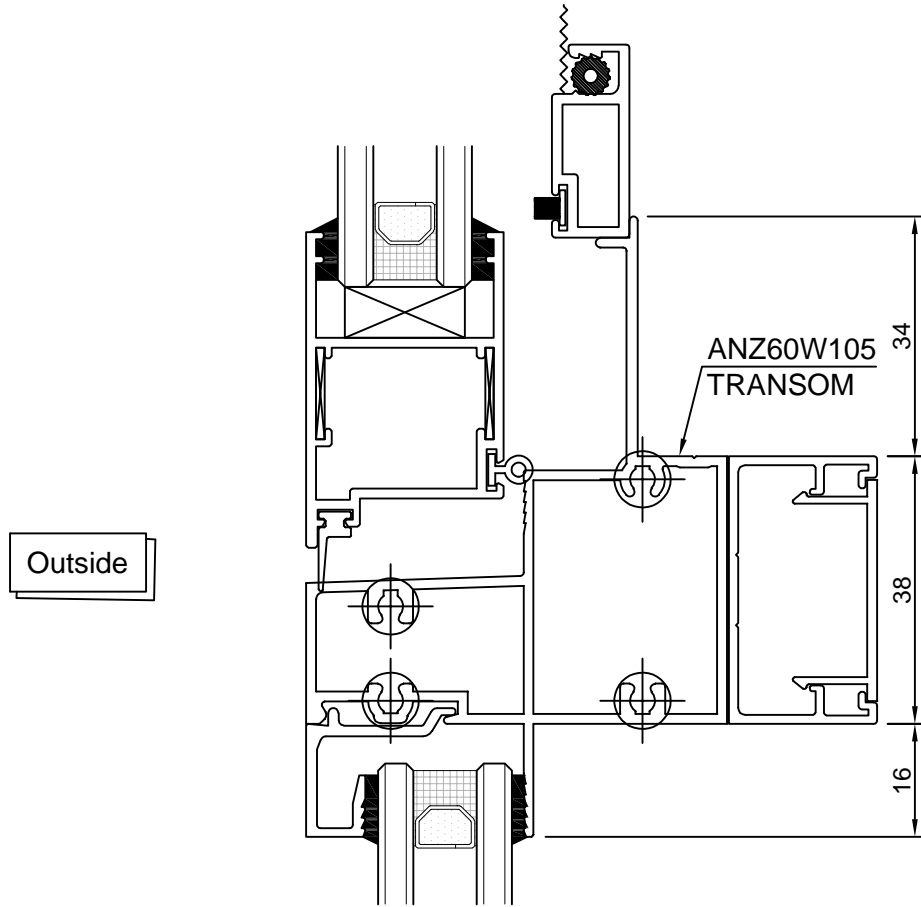




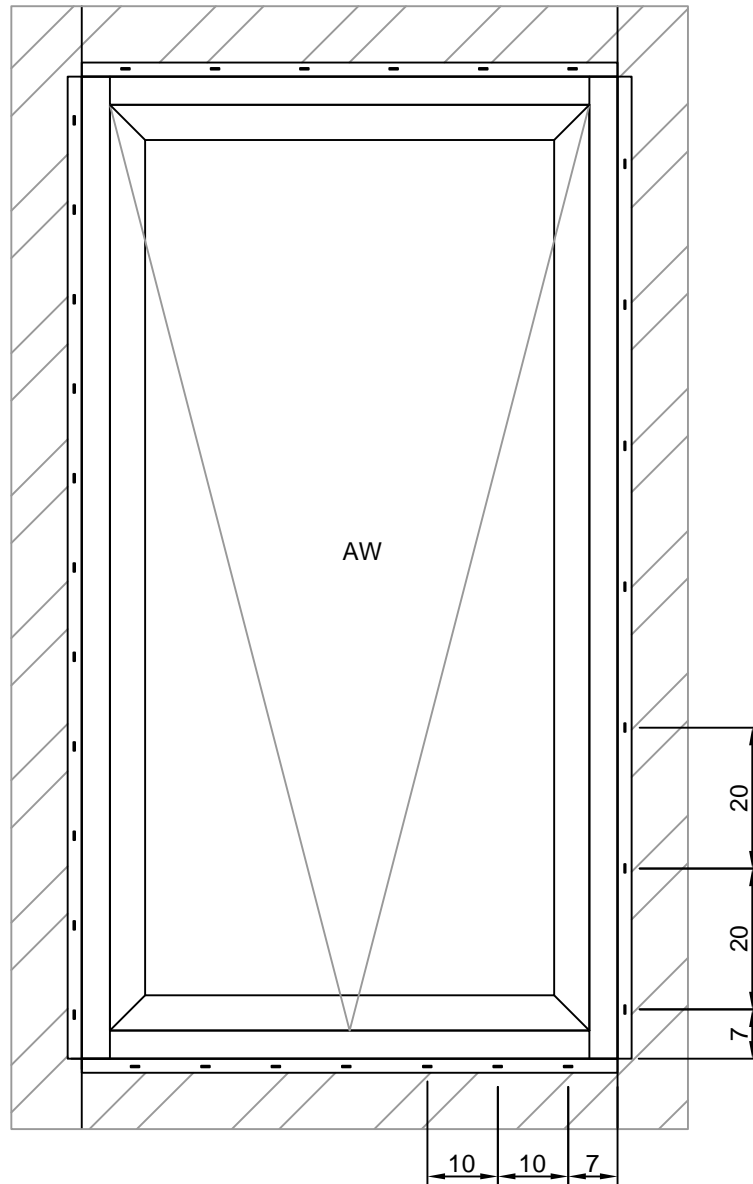


Product Detail

Sash and fixed connection

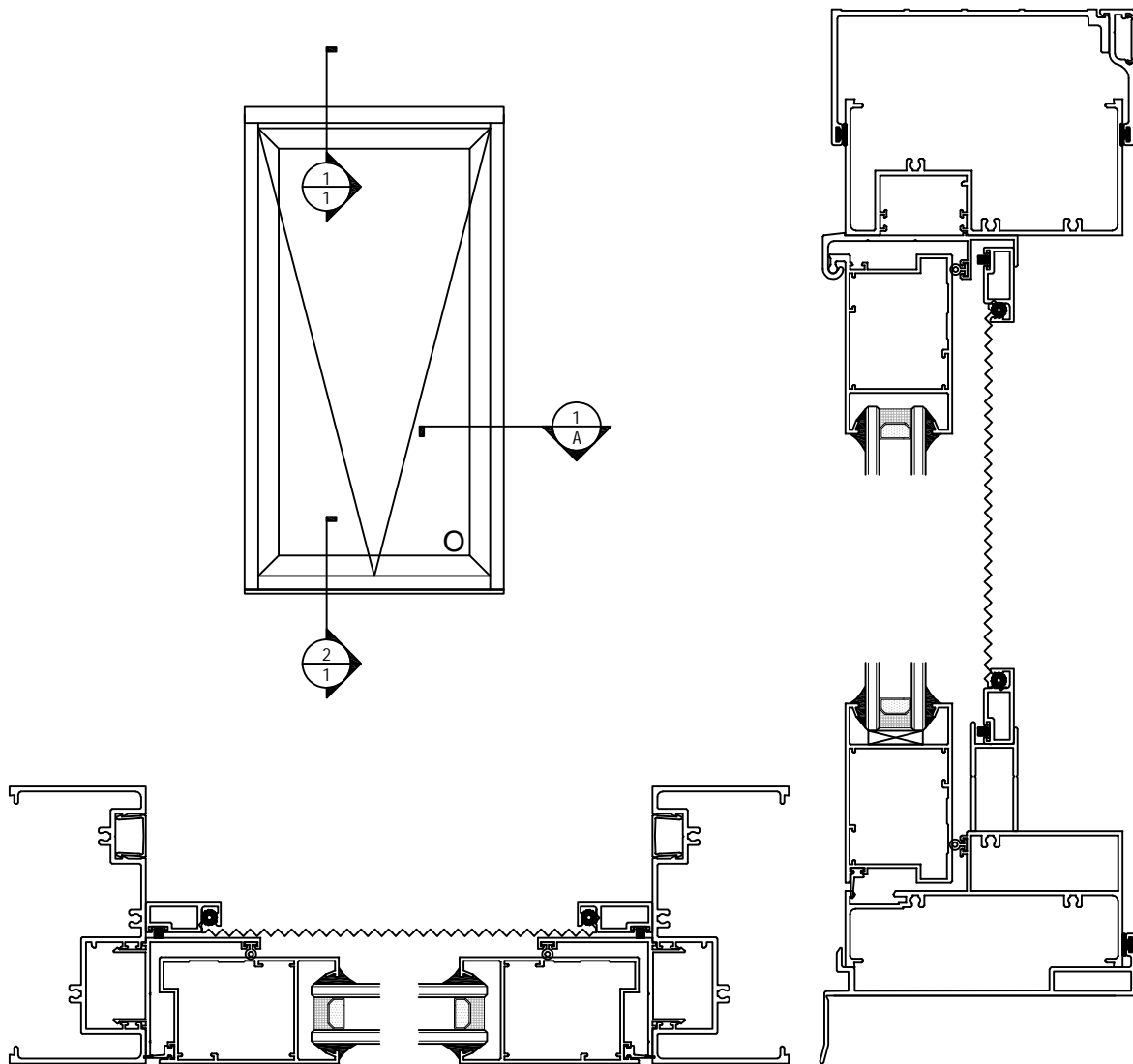


BUY WINDOWS  
 COPYRIGHT - THIS DRAWING CONTAINS BUY WINDOWS  
 PRIVILEGED INFORMATION AND IS THE  
 SUBJECT OF COPYRIGHT AND THE  
 DRAWING OR ANY PER THEREOF MAY  
 NOT BE REPRODUCED, COPIED OR LOANED IN ANY FORM WITHOUT THE PERMISSION OF BUY WINDOWS



BUY WINDOWS  
COPYRIGHT - THIS DRAWING CONTAINS BUY WINDOWS  
PRIVILEGED INFORMATION AND IS THE  
SUBJECT OF COPYRIGHT AND THE  
DRAWING OR ANY PER THEREOF MAY  
NOT BE REPRODUCED, COPIED OR LOANED IN ANY FORM WITHOUT THE PERMISSION OF BUY WINDOWS

03/12/2019 V5



**COMPATIBLE WITH**

- C101 Series Fix Window.
- T101 Series Sliding Door.
- H35 Series Hinged Door.
- H45 Series Hinged Door.

**Features & Benefits**

- 101.6mm X 50mm Frame.
- Architectural Applications.
- Supports Single Glazing.
- Compatible Door And Window.

**GLAZING DETAILS**

- 10.78Lam
- 5Clr;5Obs
- 6Clr;6Obs
- 5Clr/12Ar/ 5Clr
- 5Obs /12Ar/ 5Clr
- 5Low-E/12Ar/ 5Clr
- 6Clr/12Ar/ 6Clr
- 6Obs /12Ar/ 6Clr
- 6Low-E/12Ar/ 6Clr

BUY WINDOWS  
 COPYRIGHT - THIS DRAWING CONTAINS BUY WINDOWS  
 PRIVILEGED INFORMATION AND IS THE  
 SUBJECT OF COPYRIGHT AND THE  
 DRAWING OR ANY PER THEREOF MAY

NOT BE REPRODUCED, COPIED OR LOANED IN ANY FORM WITHOUT THE PERMISSION OF BUY WINDOWS

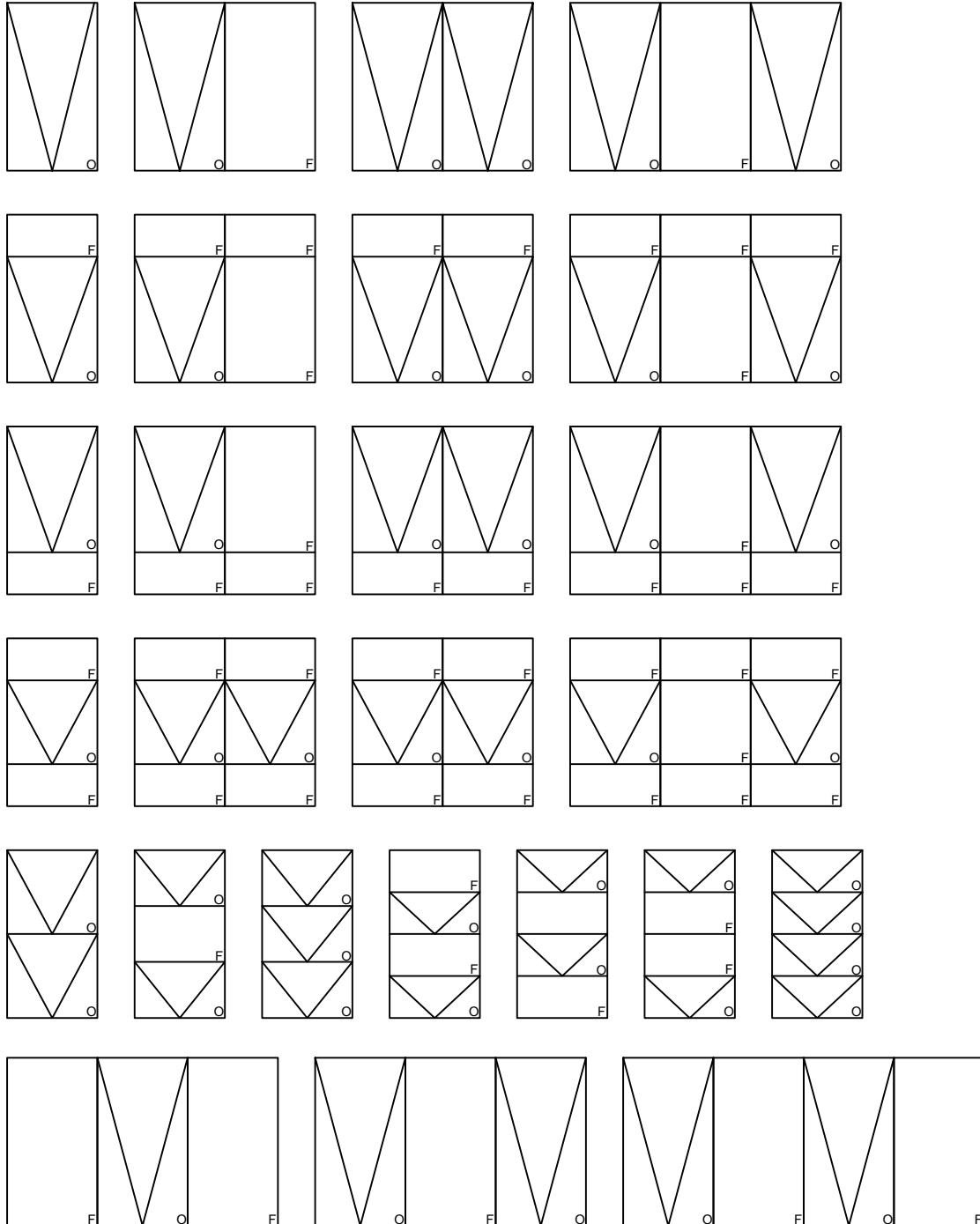
03/12/2019 V5



# C101 Commercial Series Awning Window

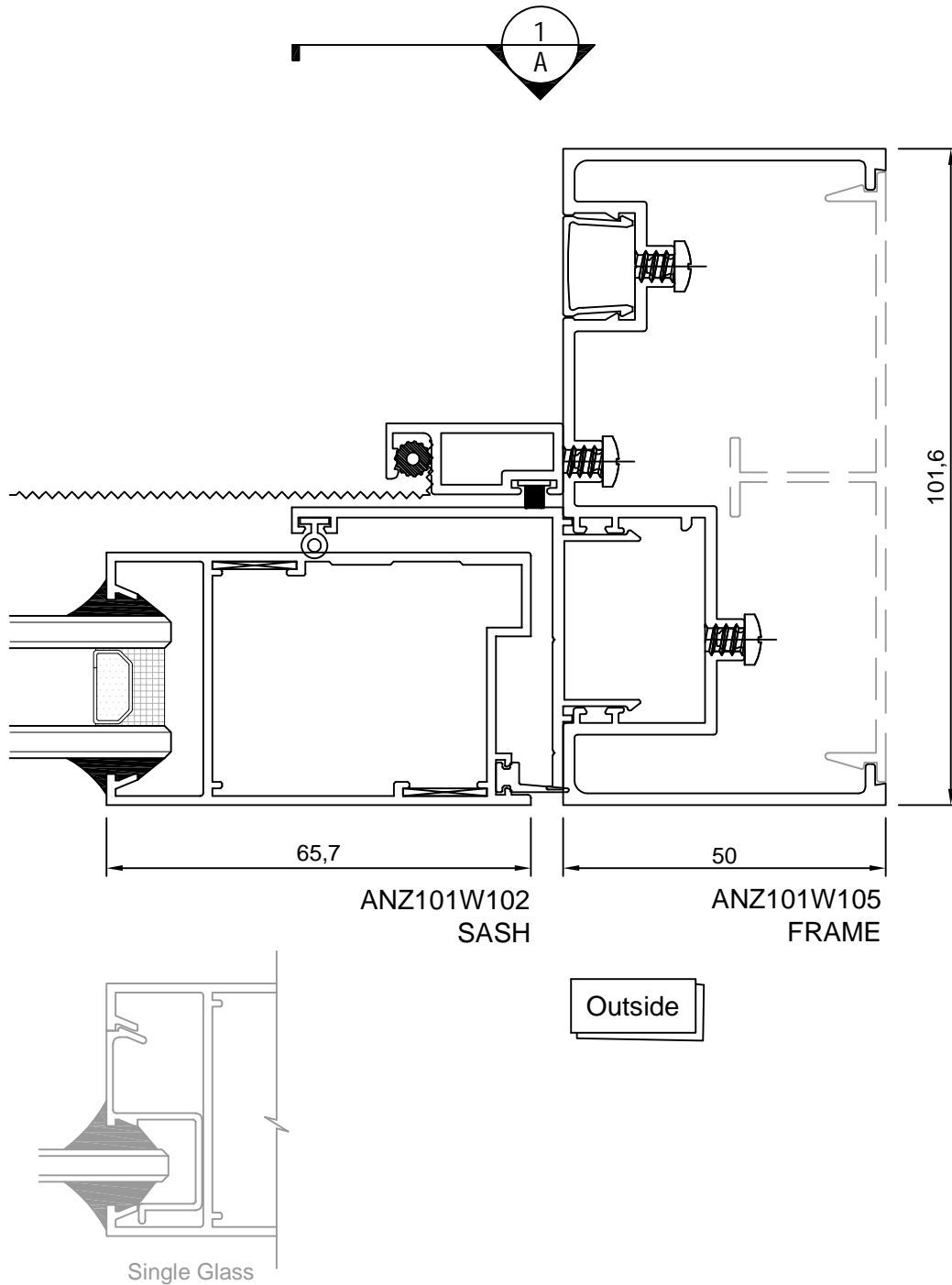


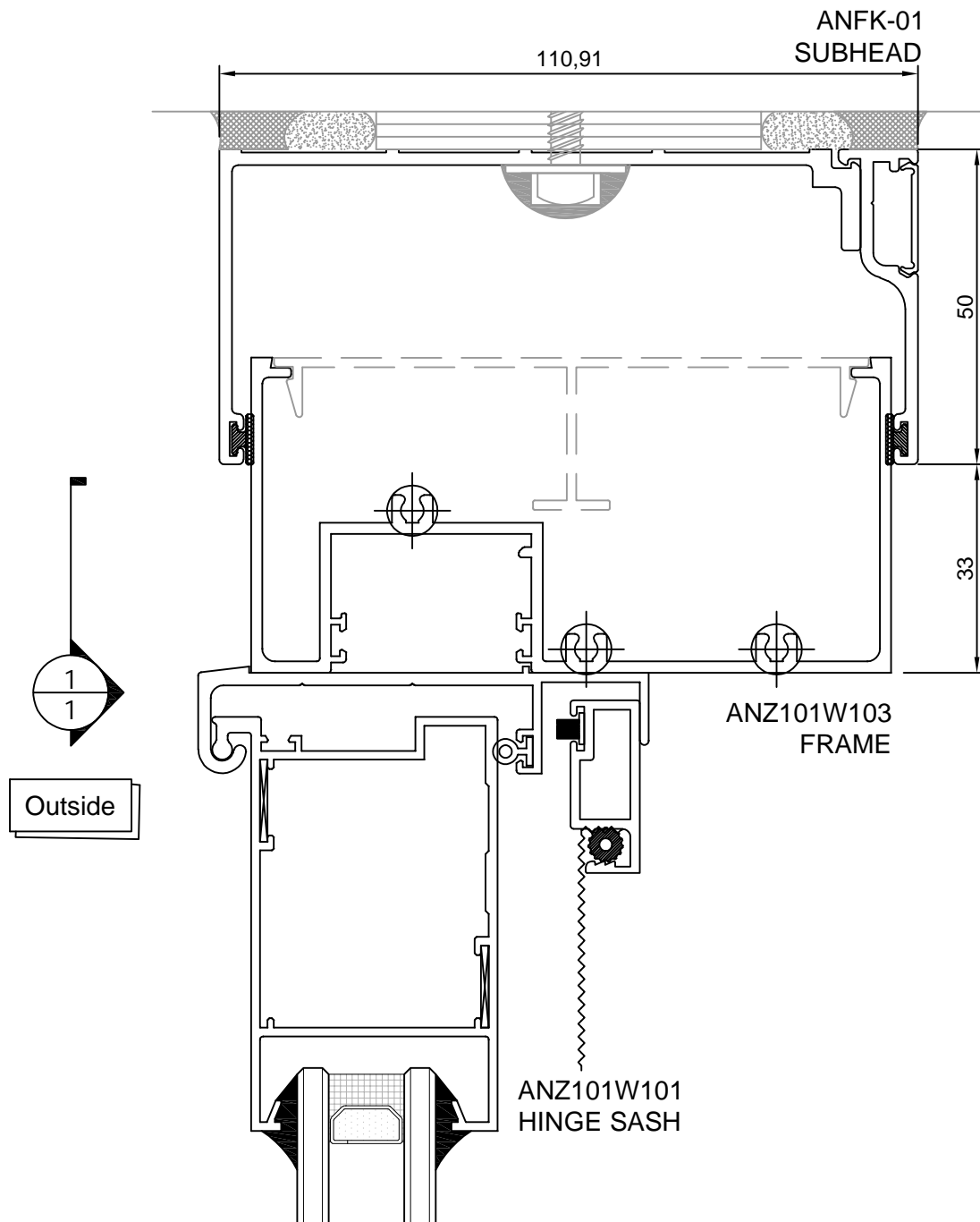
## Product form

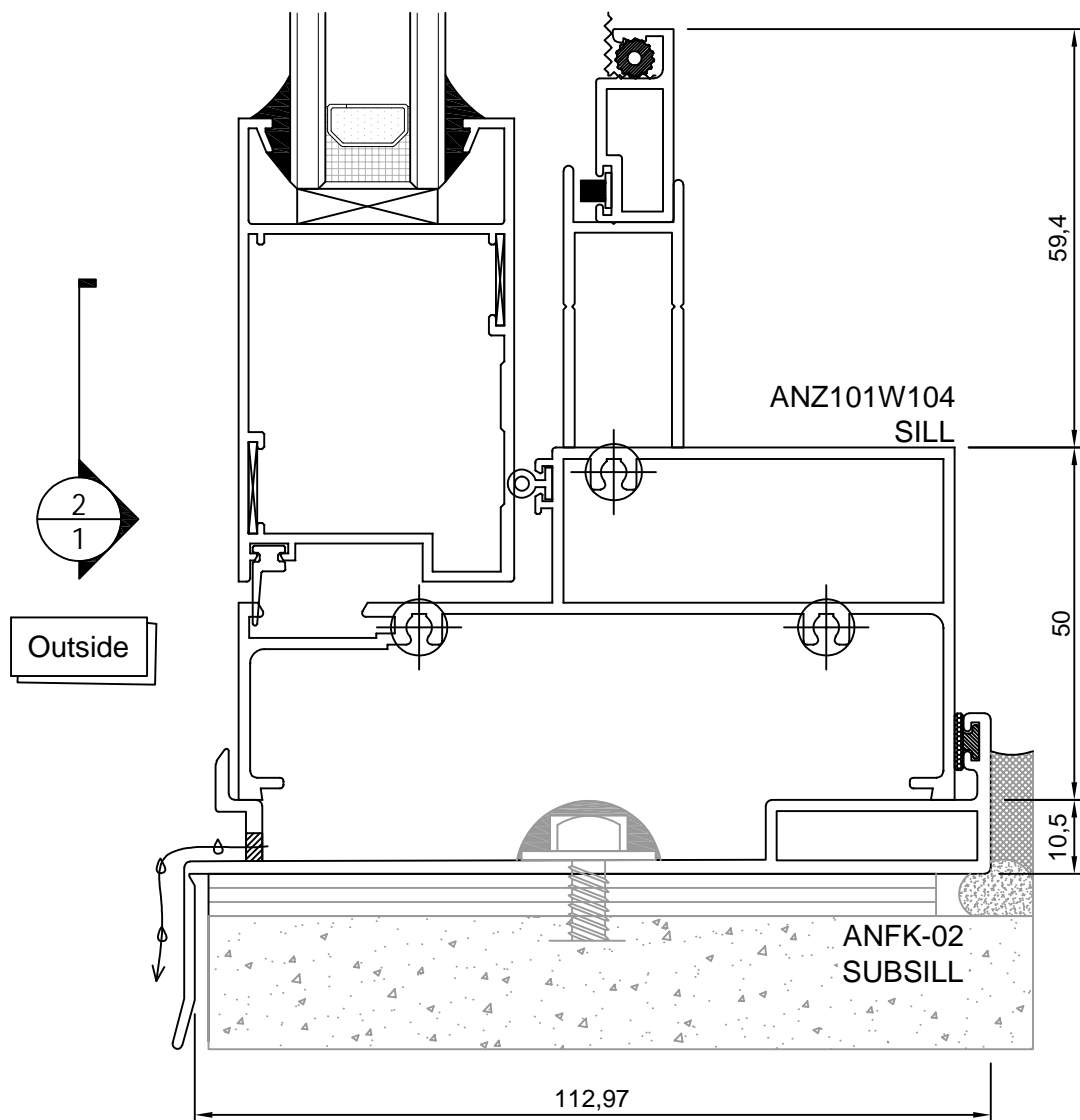


BUY WINDOWS  
COPYRIGHT - THIS DRAWING CONTAINS BUY WINDOWS  
PRIVILEGED INFORMATION AND IS THE  
SUBJECT OF COPYRIGHT AND THE  
DRAWING OR ANY PER THEREOF MAY  
NOT BE REPRODUCED, COPIED OR LOANED IN ANY FORM WITHOUT THE PERMISSION OF BUY WINDOWS

03/12/2019 V5

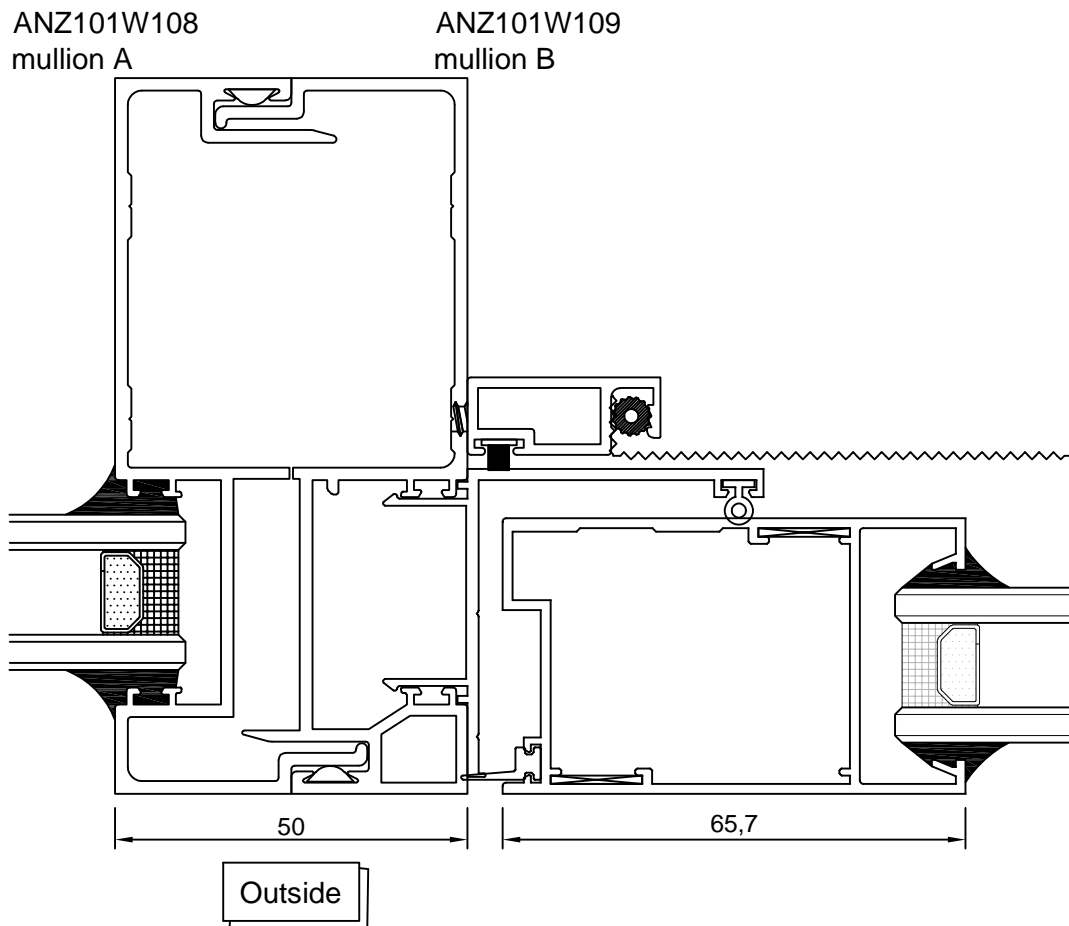






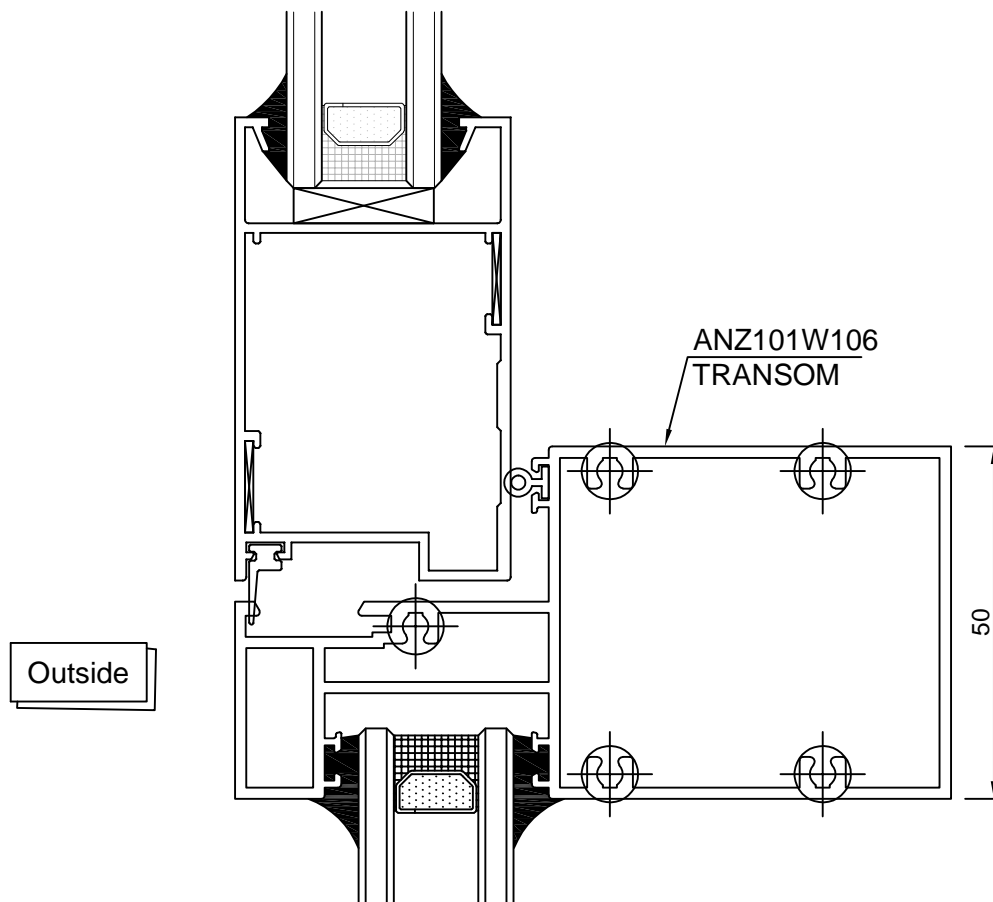


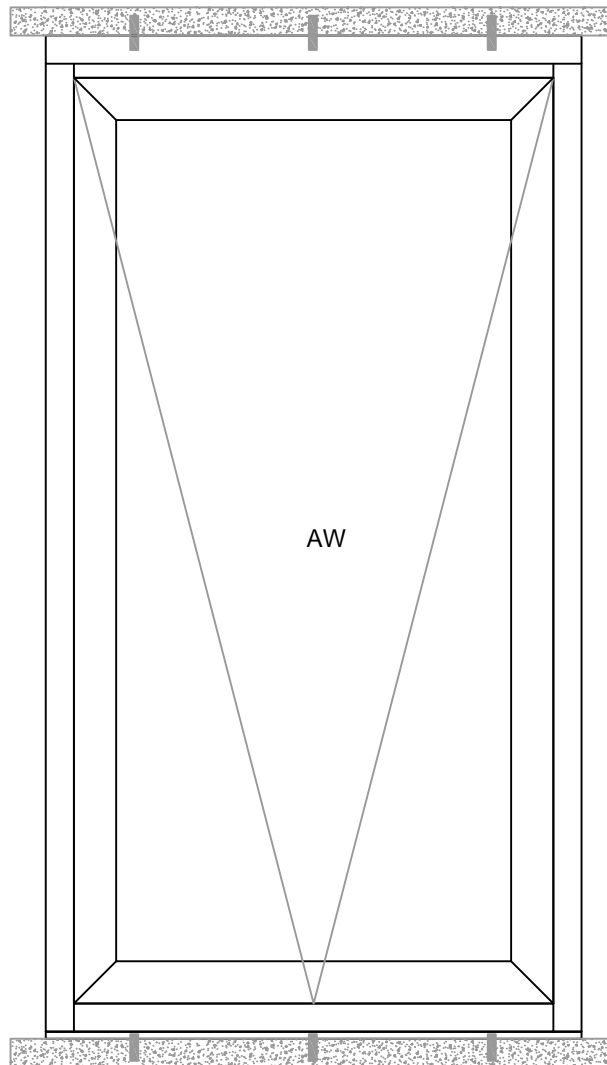
Sash and fixed connection





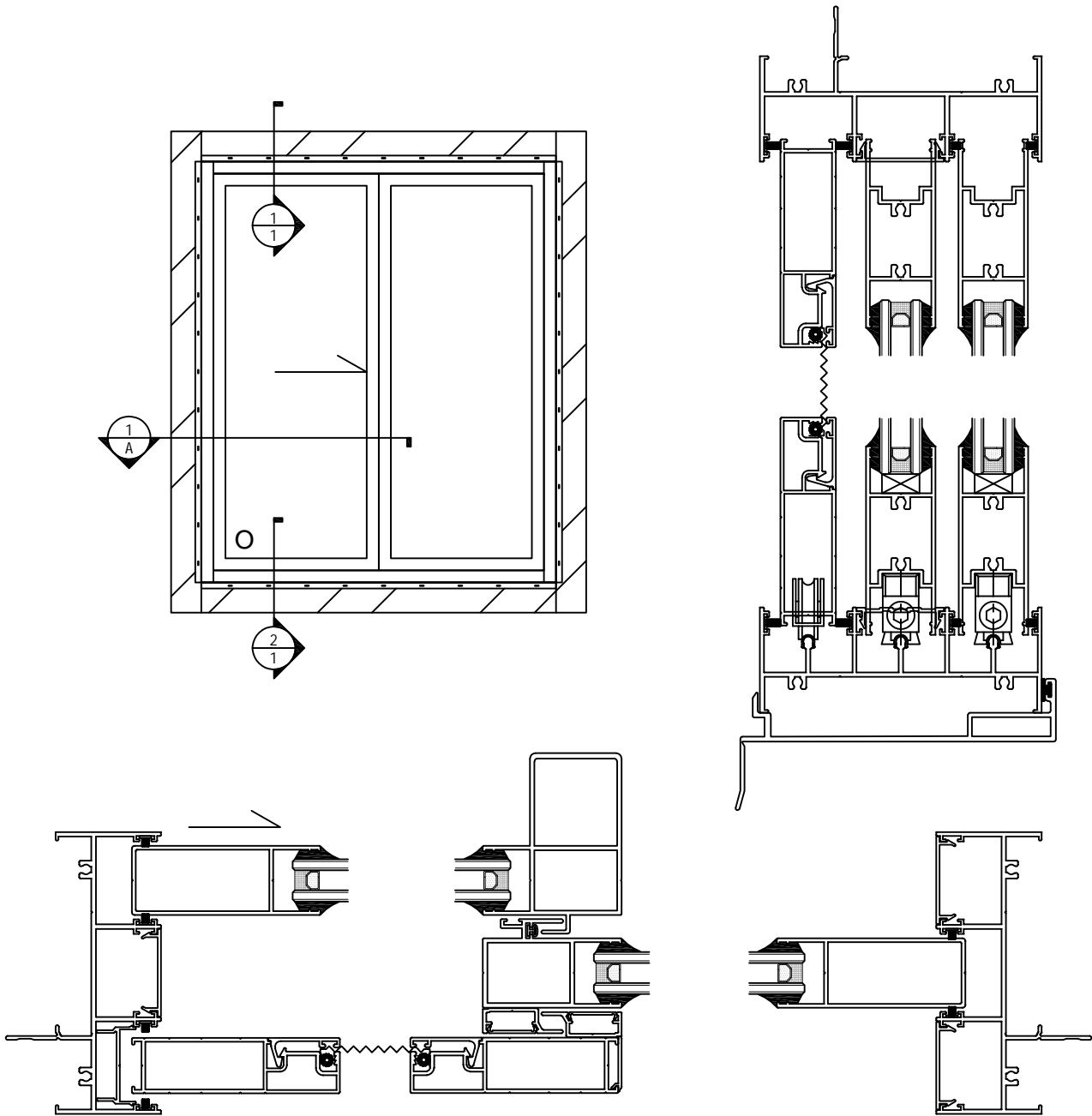
Sash and fixed connection





BUY WINDOWS  
COPYRIGHT - THIS DRAWING CONTAINS BUY WINDOWS  
PRIVILEGED INFORMATION AND IS THE  
SUBJECT OF COPYRIGHT AND THE  
DRAWING OR ANY PER THEREOF MAY  
NOT BE REPRODUCED, COPIED OR LOANED IN ANY FORM WITHOUT THE PERMISSION OF BUY WINDOWS

03/12/2019 V5



**COMPATIBLE WITH**

**Features & Benefits**

- 101.6mm X 38mm Frame.
- Architectural Applications.
- Supports Single Glazing.
- Compatible Door And Window.

**GLAZING DETAILS**

- 10.78Lam
- 5Clr;5Obs
- 6Clr;6Obs
- 5Clr/9Ar/ 5Clr
- 5Obs /9Ar/ 5Clr
- 5Low-E/9Ar/ 5Clr

**PRODUCT SPECS**

- Max.Recommended Sizes
- Height: 2400
  - Width: 2400

BUY WINDOWS  
 COPYRIGHT - THIS DRAWING CONTAINS BUY WINDOWS  
 PRIVILEGED INFORMATION AND IS THE  
 SUBJECT OF COPYRIGHT AND THE  
 DRAWING OR ANY PER THEREOF MAY

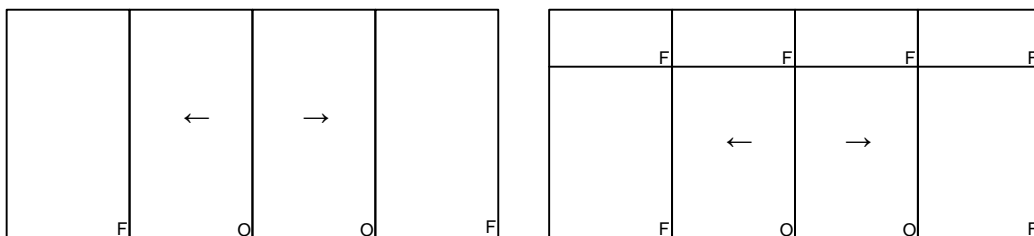
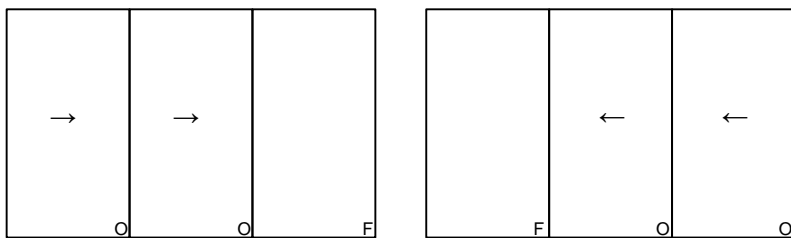
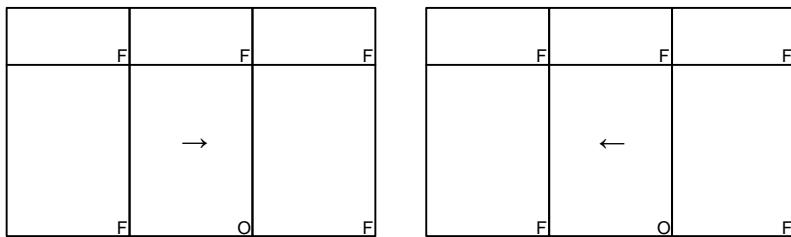
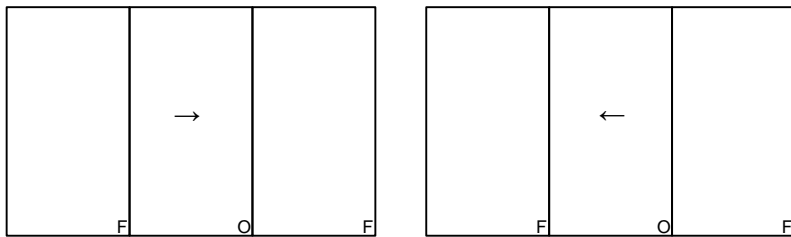
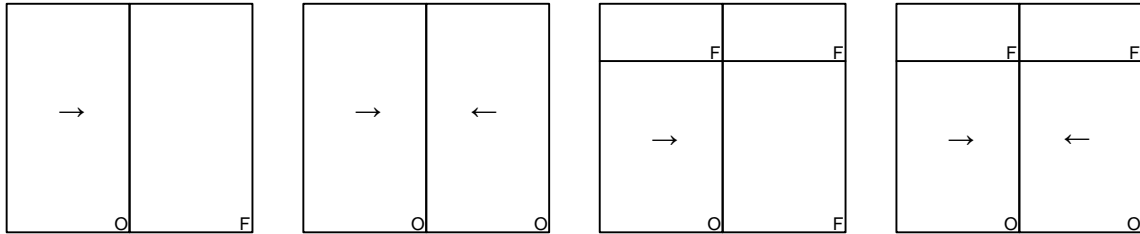
NOT BE REPRODUCED, COPIED OR LOANED IN ANY FORM WITHOUT THE PERMISSION OF BUY WINDOWS

03/12/2019 V5



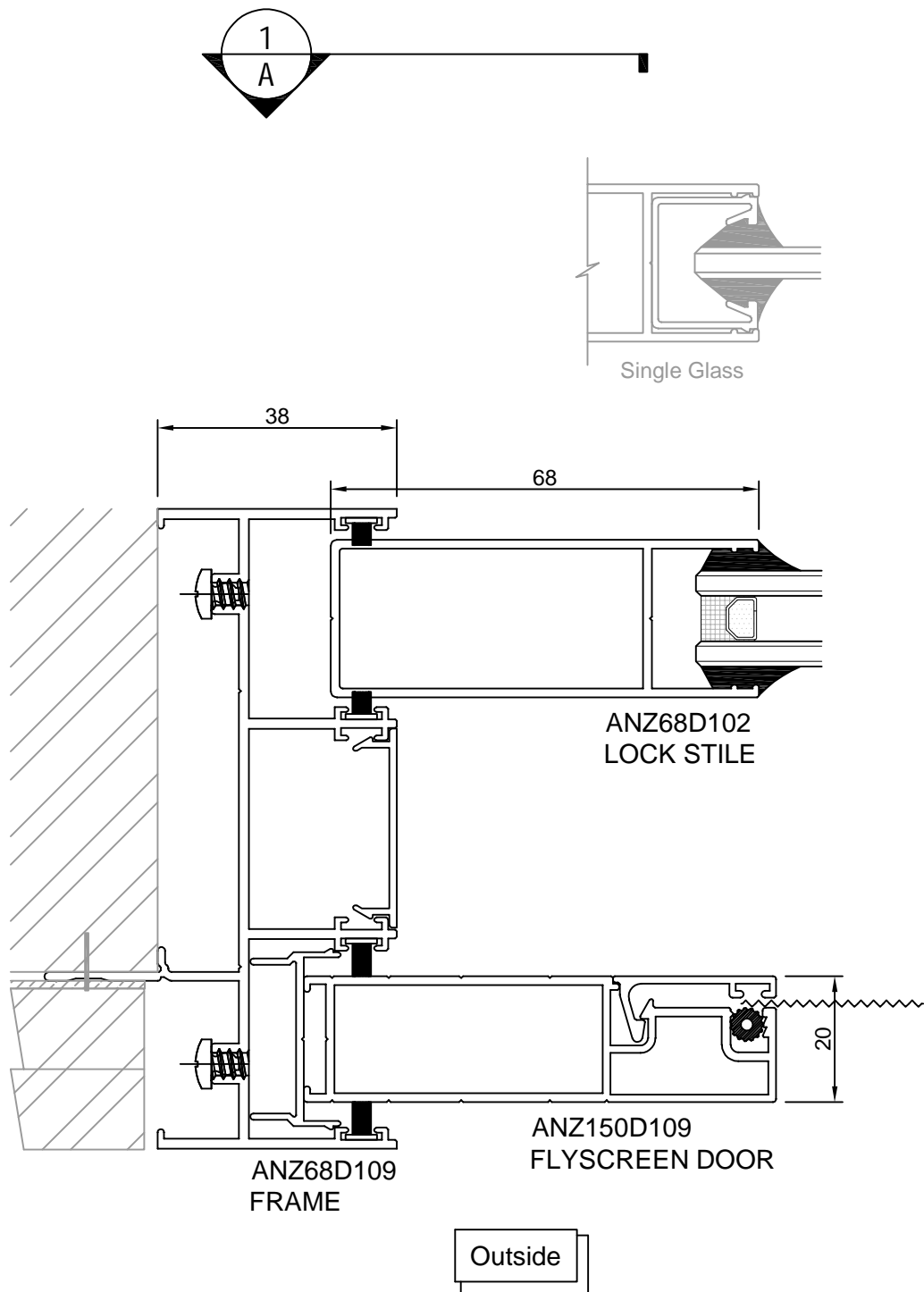


Product form



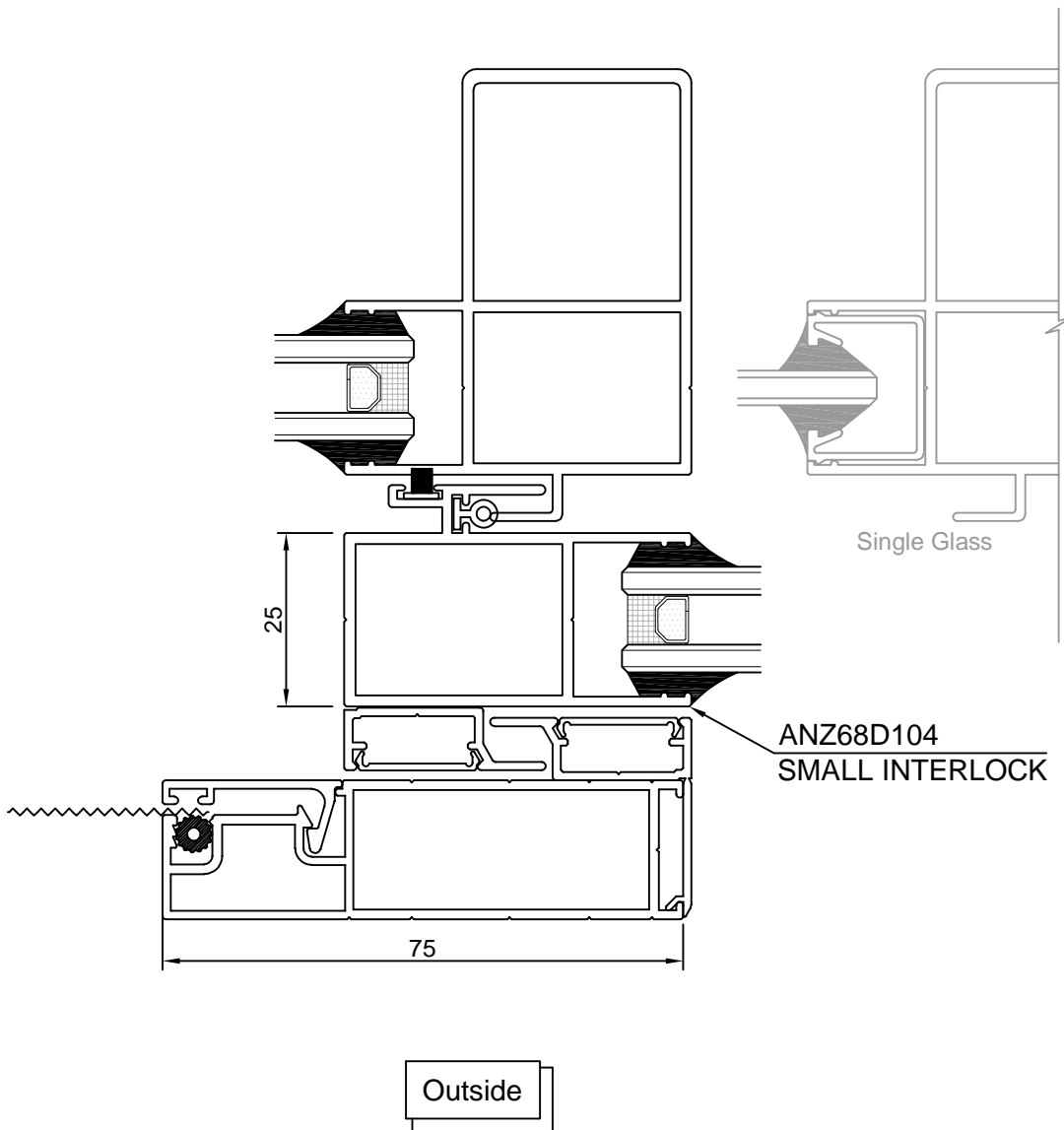


Product Detail



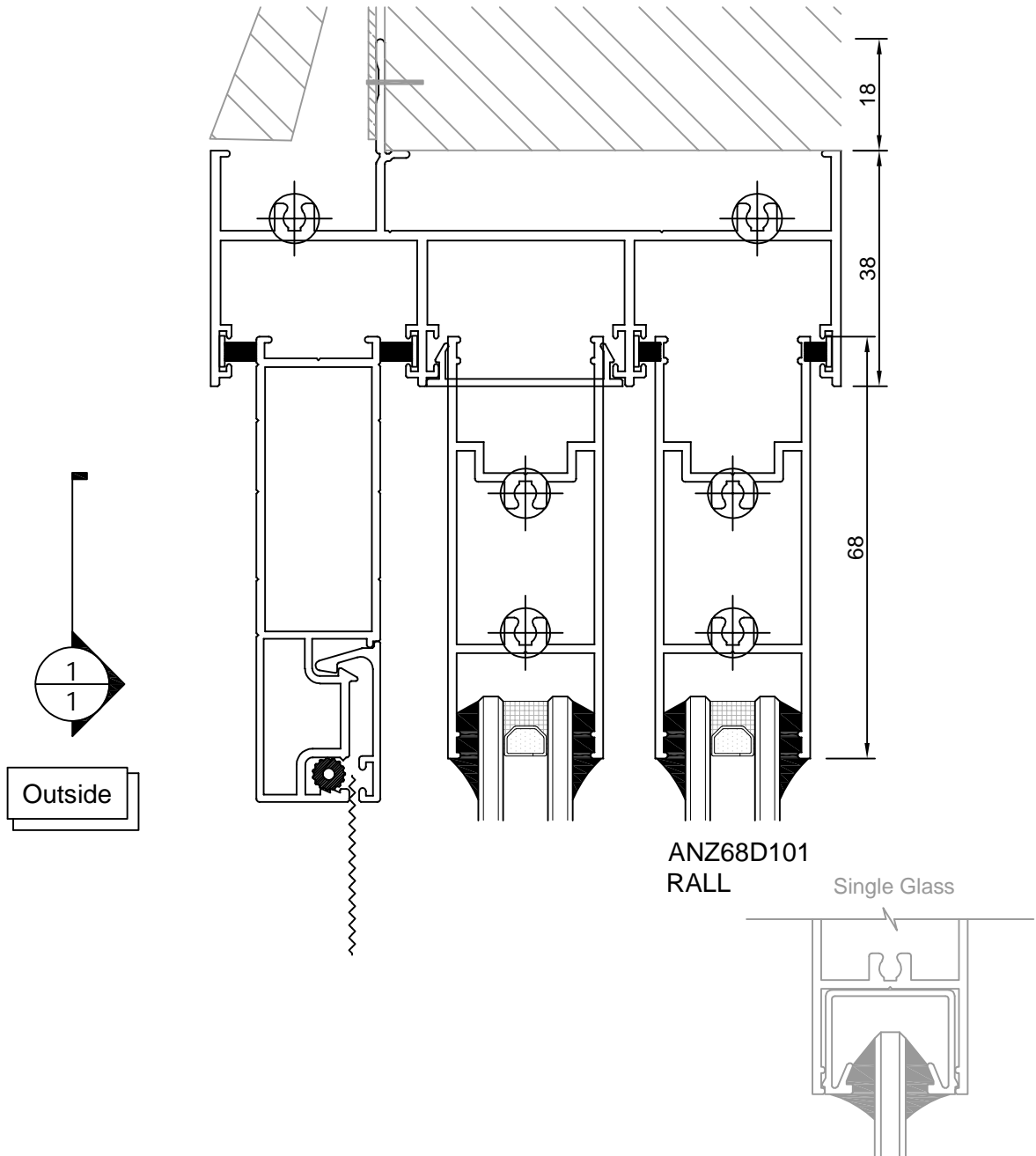


ANZ68D103  
INTERLOCK





Product Detail

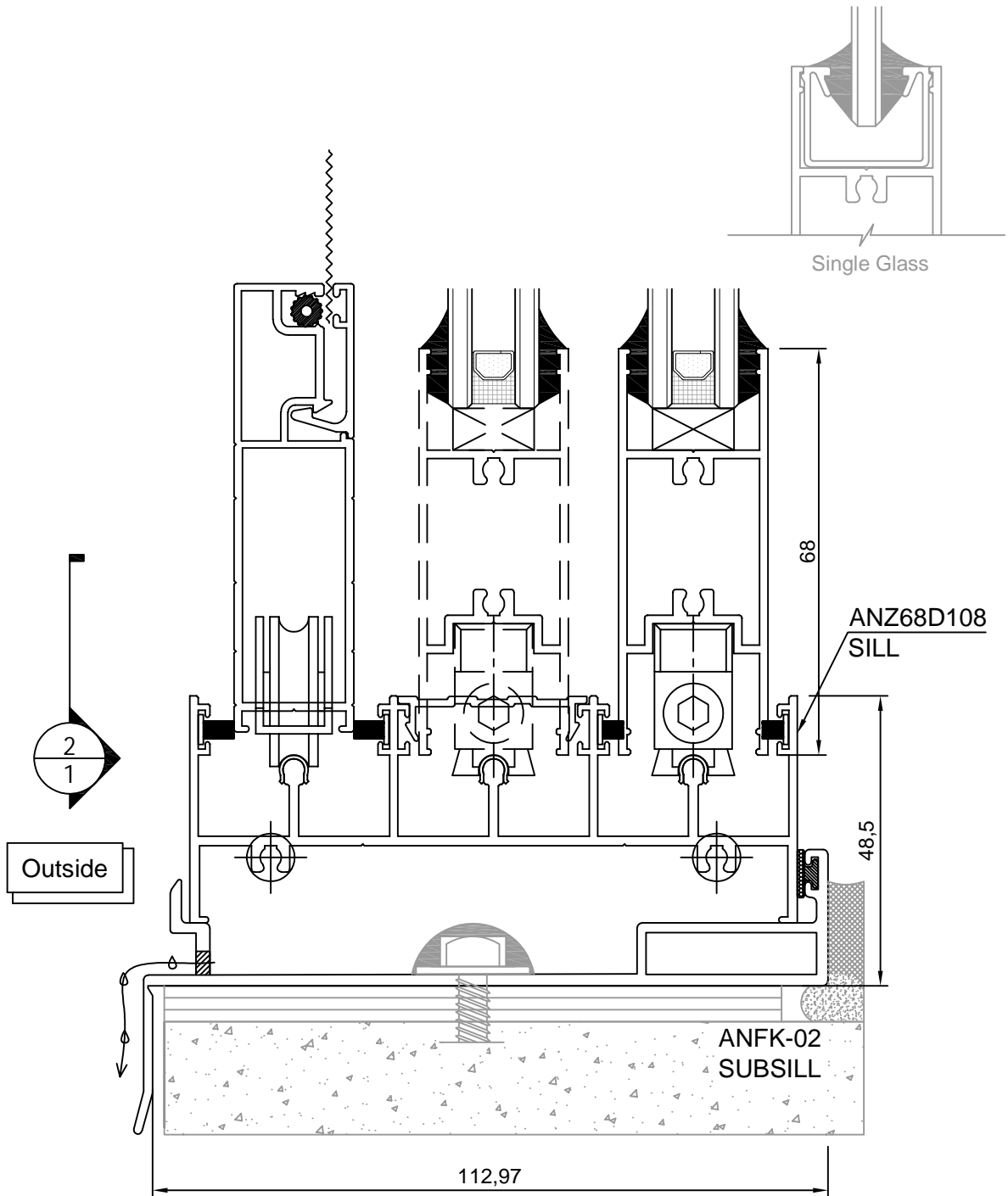


# T68 Residential Series Sliding Door

## Product Detail

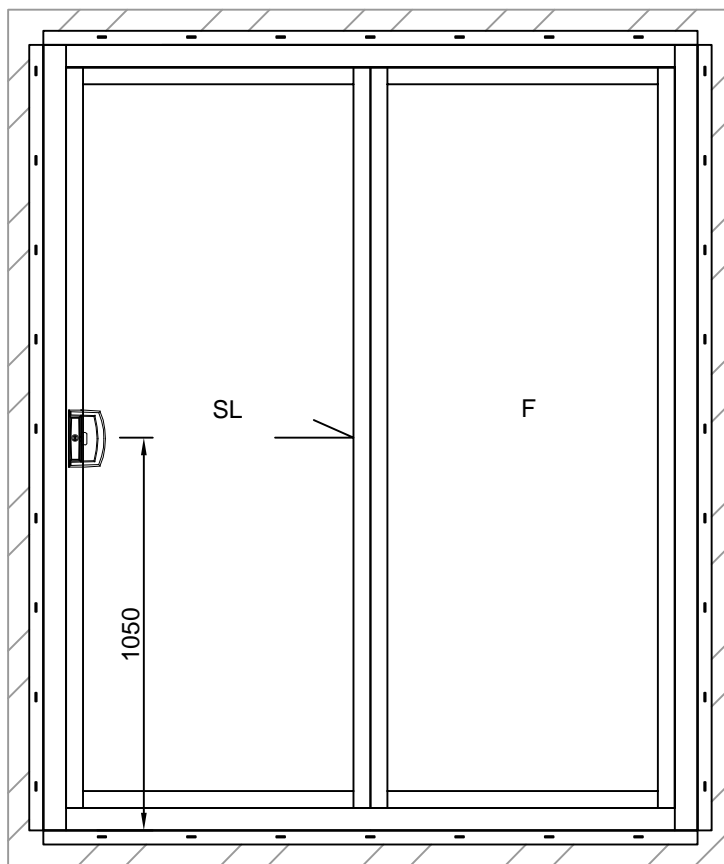


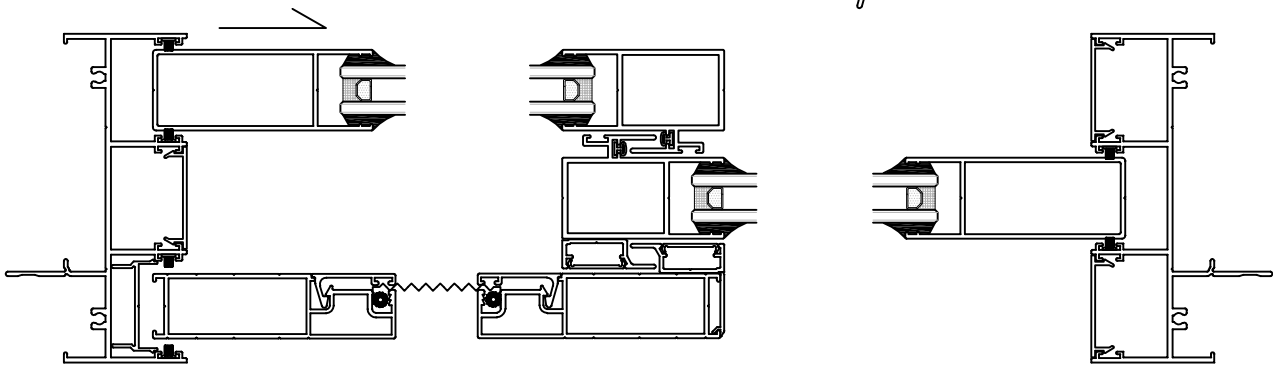
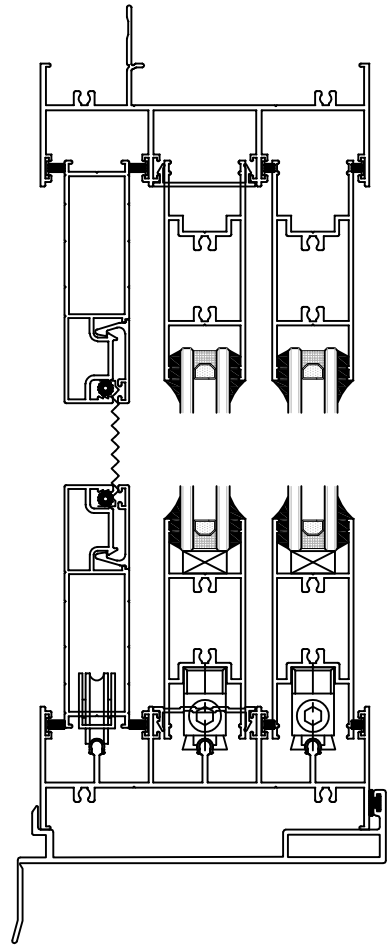
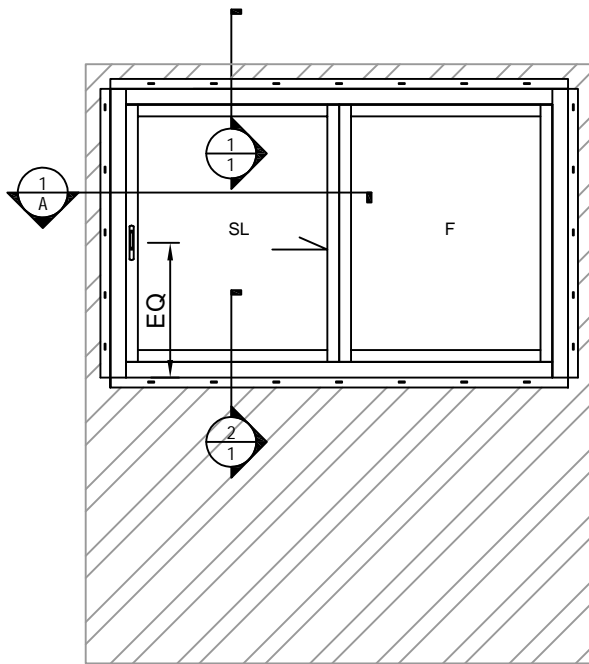
BuyWindows



BUY WINDOWS  
COPYRIGHT - THIS DRAWING CONTAINS BUY WINDOWS  
PRIVILEGED INFORMATION AND IS THE  
SUBJECT OF COPYRIGHT AND THE  
DRAWING OR ANY PER THEREOF MAY  
NOT BE REPRODUCED, COPIED OR LOANED IN ANY FORM WITHOUT THE PERMISSION OF BUY WINDOWS

03/12/2019 V5





**COMPATIBLE WITH**

**Features & Benefits**

- 101.6mm X 38mm Frame.
- Architectural Applications.
- Supports Single Glazing.
- Compatible Door And Window.

**GLAZING DETAILS**

- 10.78Lam
- 5Clr;5Obs
- 6Clr;6Obs
- 5Clr/9Ar/ 5Clr
- 5Obs /9Ar/ 5Clr
- 5Low-E/9Ar/ 5Clr

**PRODUCT SPECS**

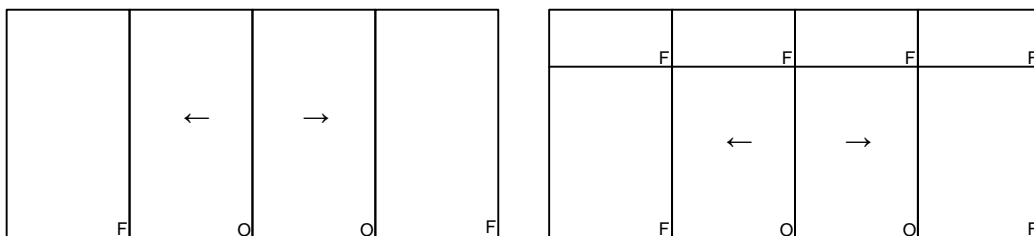
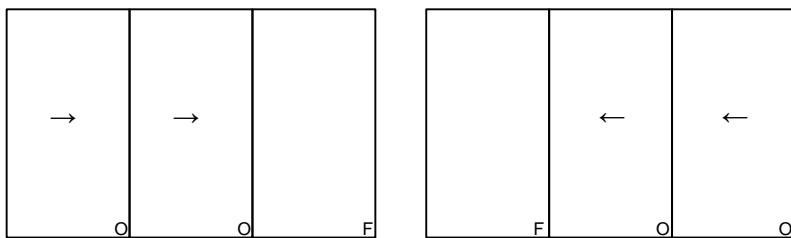
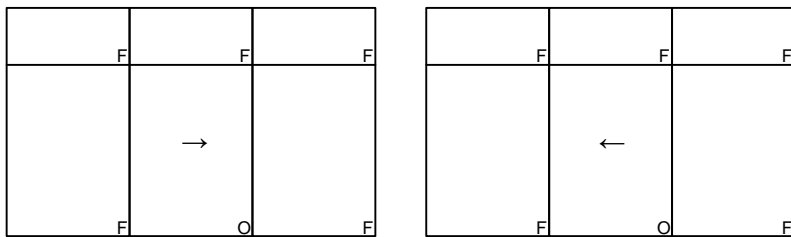
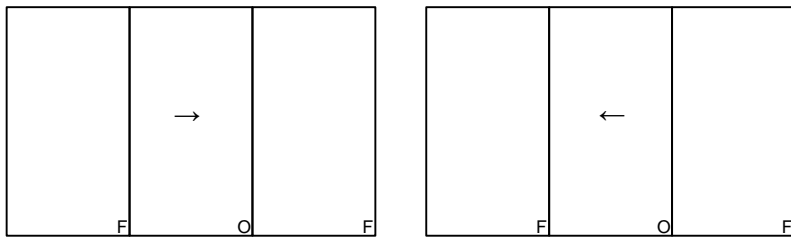
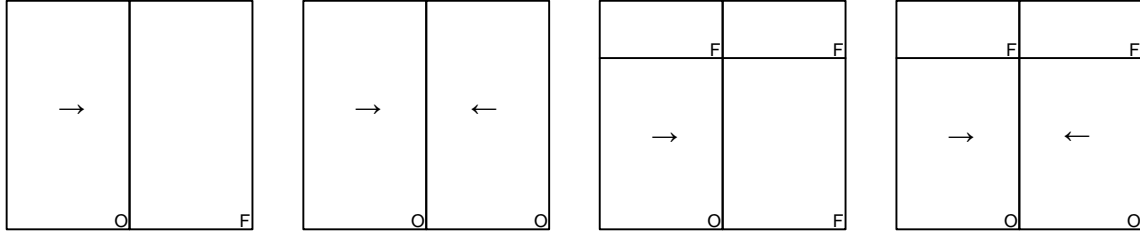
- Max.Recommended Sizes
- Height: 2400
  - Width: 2400

BUY WINDOWS  
 COPYRIGHT - THIS DRAWING CONTAINS BUY WINDOWS  
 PRIVILEGED INFORMATION AND IS THE  
 SUBJECT OF COPYRIGHT AND THE  
 DRAWING OR ANY PER THEREOF MAY  
 NOT BE REPRODUCED, COPIED OR LOANED IN ANY FORM WITHOUT THE PERMISSION OF BUY WINDOWS

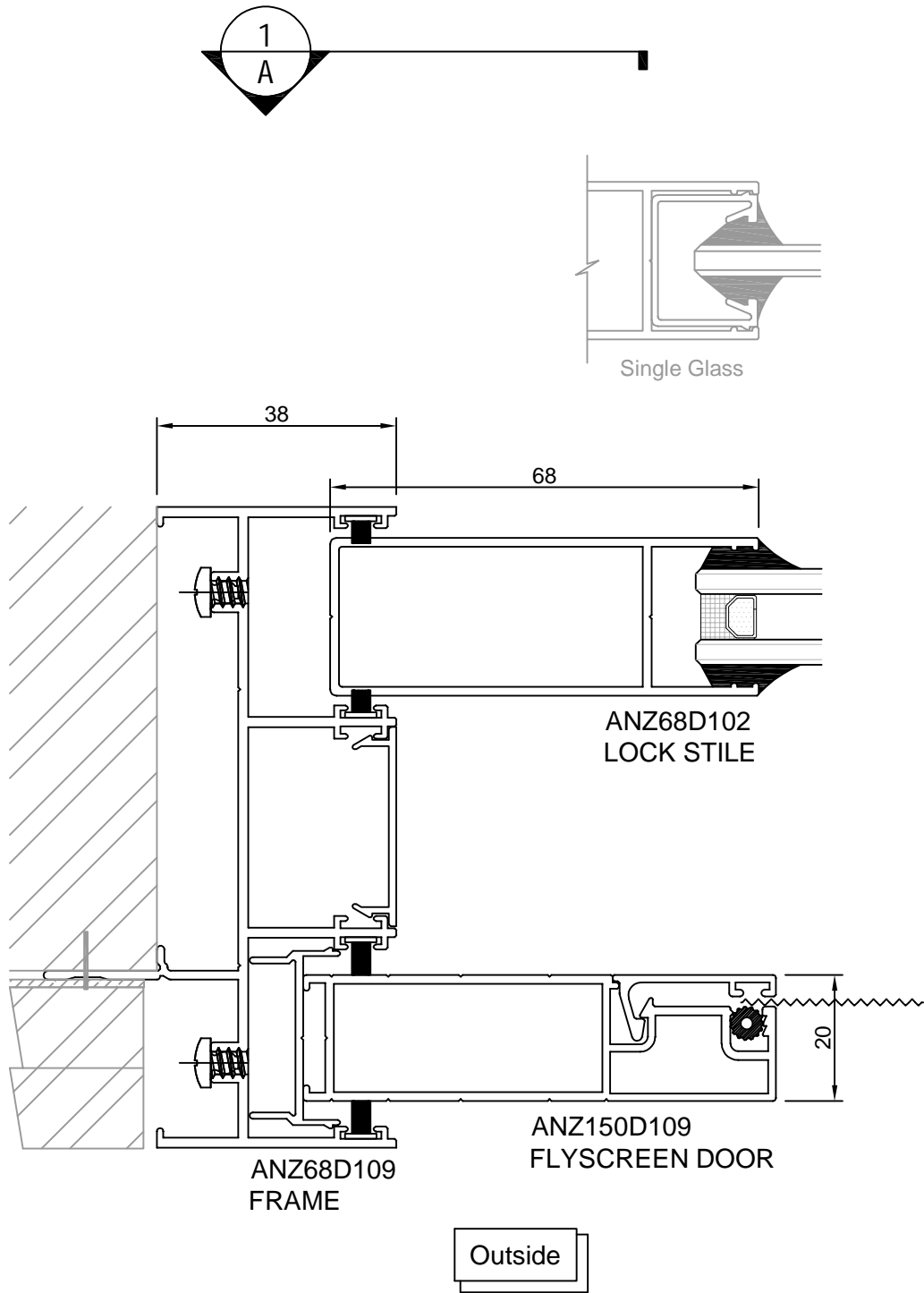
03/12/2019 V5



Product form

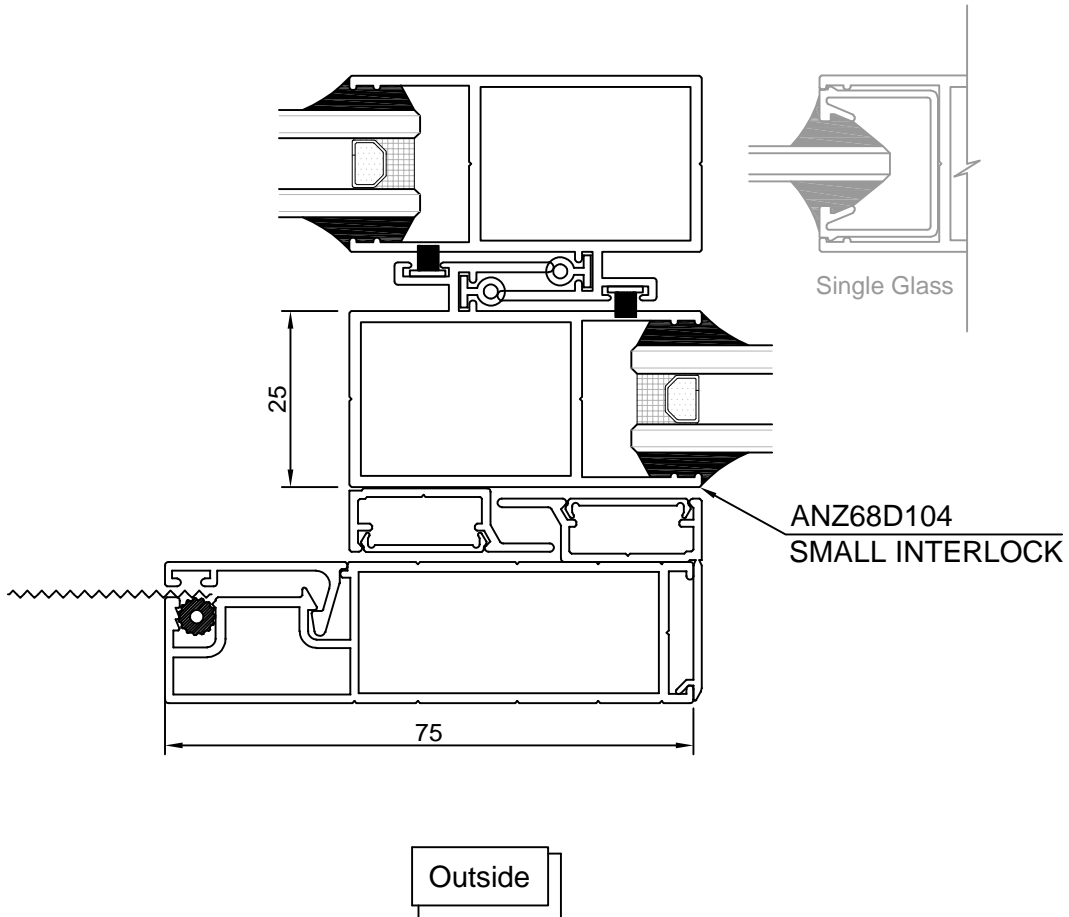






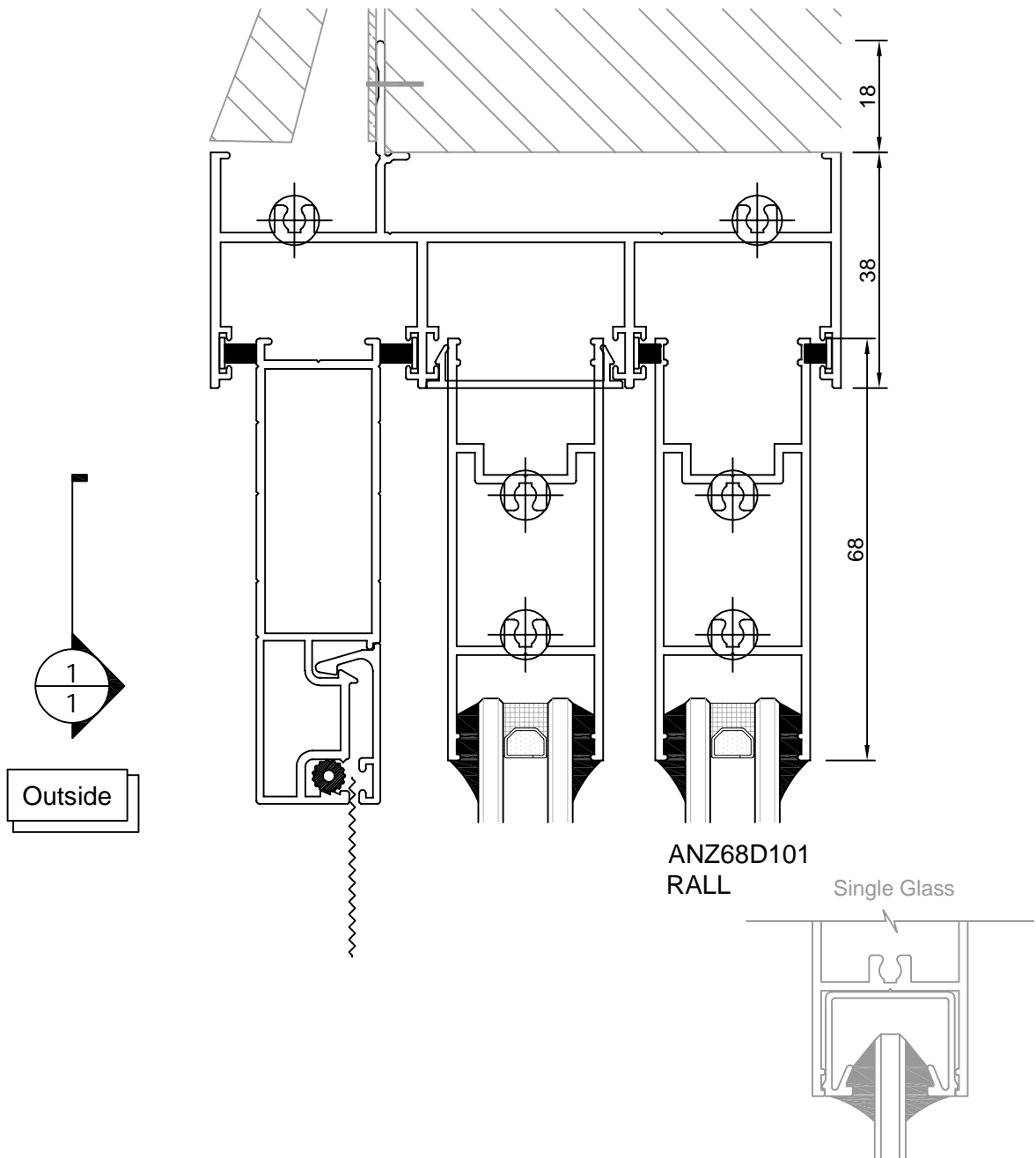


ANZ68D103  
INTERLOCK





Product Detail

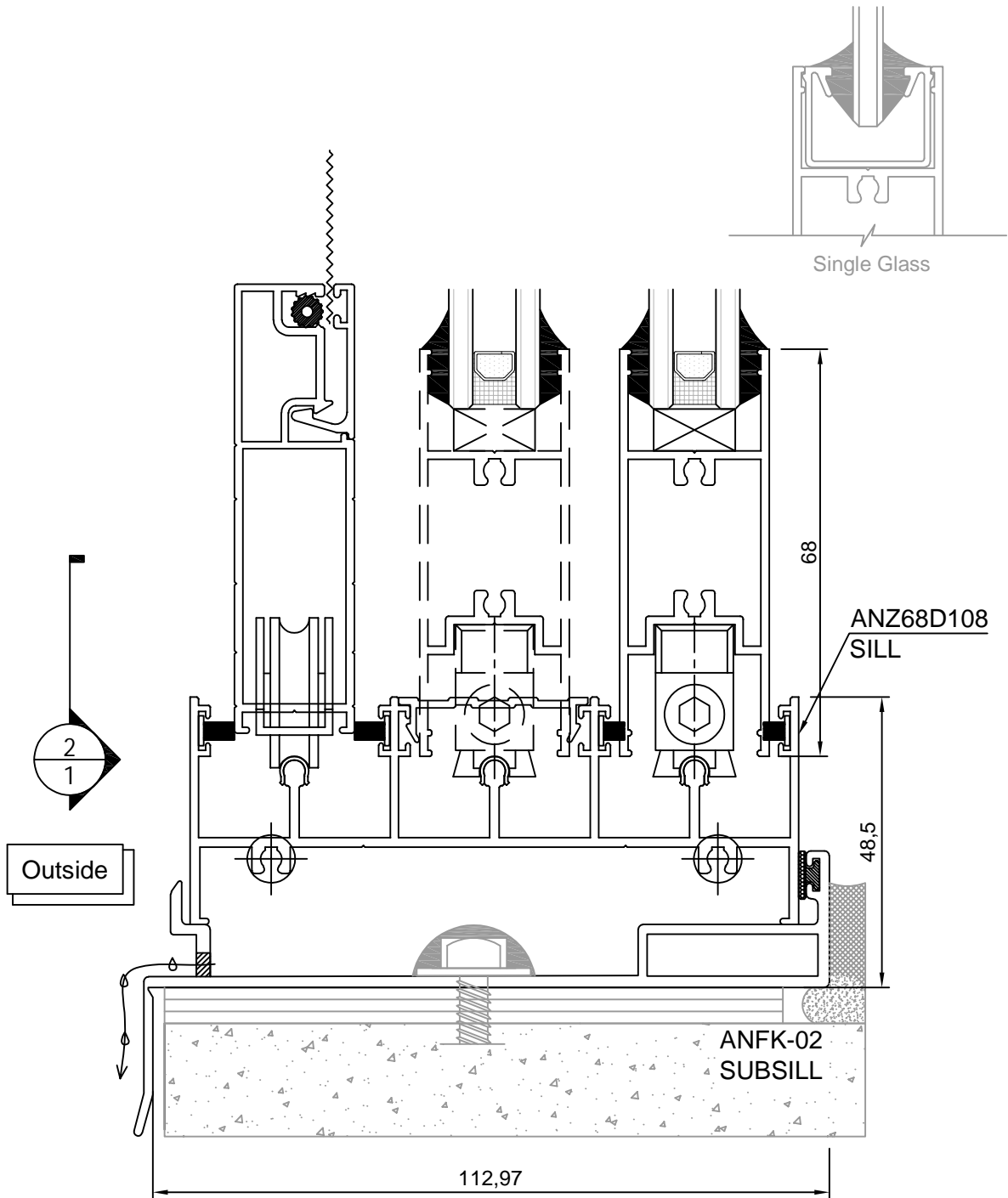


# T68 Residential Series Sliding Window



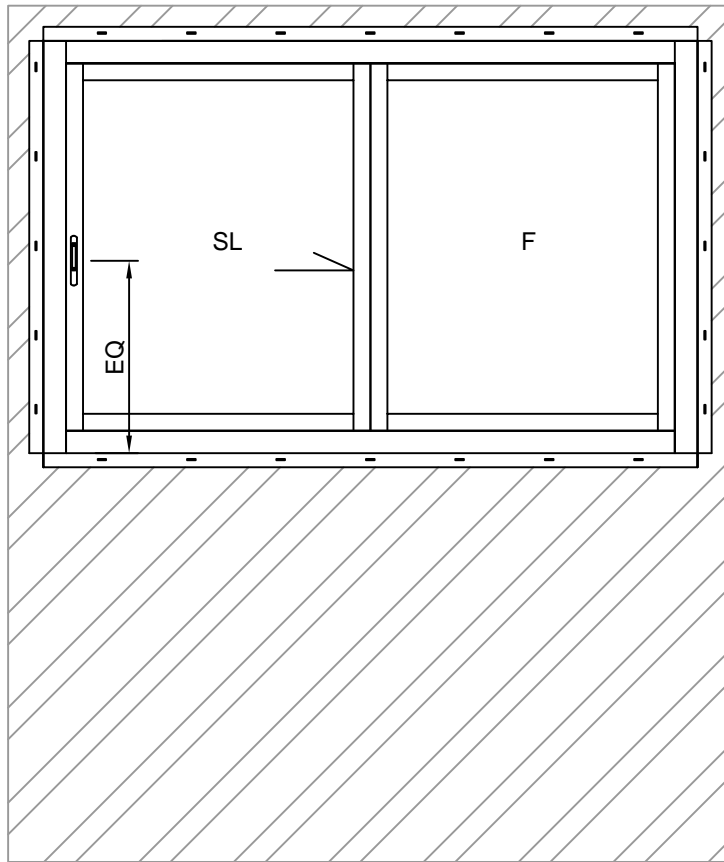
BuyWindows

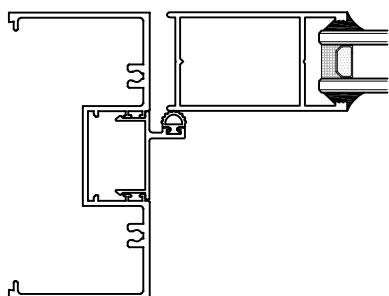
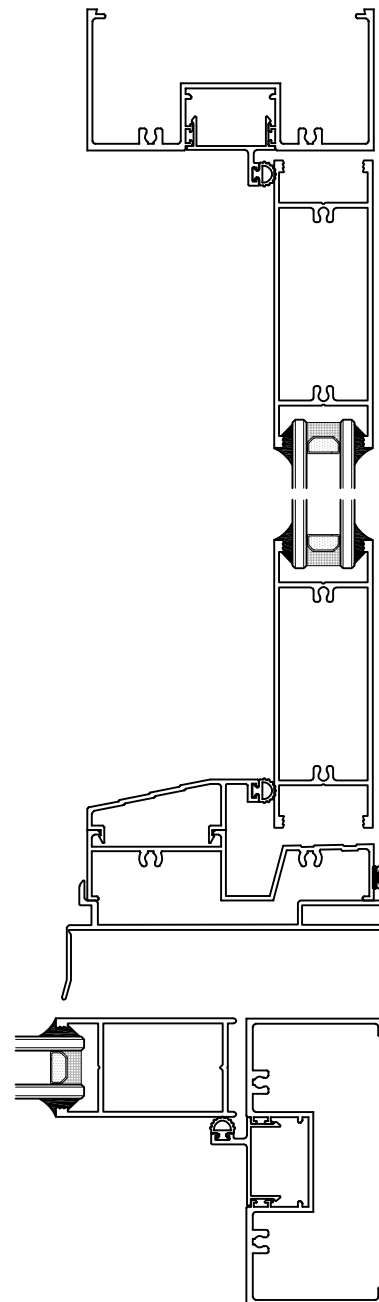
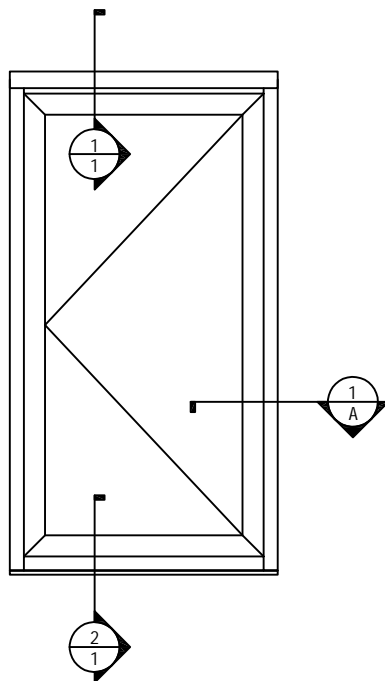
## Product Detail



BUY WINDOWS  
COPYRIGHT - THIS DRAWING CONTAINS BUY WINDOWS  
PRIVILEGED INFORMATION AND IS THE  
SUBJECT OF COPYRIGHT AND THE  
DRAWING OR ANY PER THEREOF MAY  
NOT BE REPRODUCED, COPIED OR LOANED IN ANY FORM WITHOUT THE PERMISSION OF BUY WINDOWS

03/12/2019 V5





**COMPATIBLE WITH**

- C101 Series Fix Window.
- T101 Series Sliding Door.
- HDT101 Series Sliding Door.

**Features & Benefits**

- 101.6mm X 50mm Frame.
- Architectural Applications.
- Supports Single Glazing.
- Compatible Door And Window.

**GLAZING DETAILS**

- 10.78Lam
- 5Clr;5Obs
- 6Clr;6Obs
- 5Clr/12Ar/ 5Clr
- 5Obs /12Ar/ 5Clr
- 5Low-E/12Ar/ 5Clr
- 6Clr/12Ar/ 6Clr
- 6Obs /12Ar/ 6Clr
- 6Low-E/12Ar/ 6Clr

**PRODUCT SPECS**

- Max.Recommended Sizes
- Height: 2400
  - Width: 900
- Max.Product Performance
- Water (PA): 150 Pa

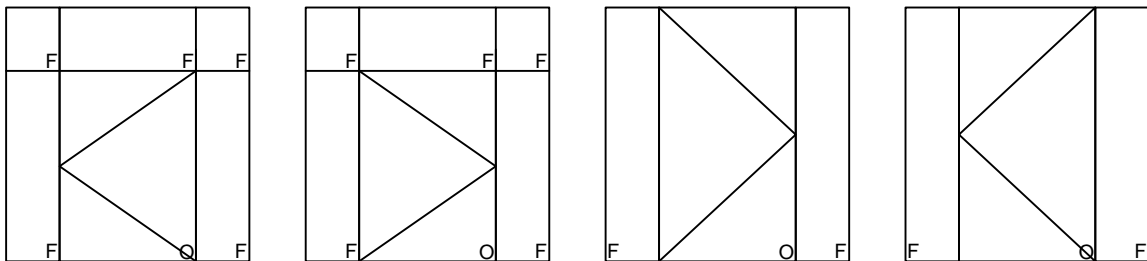
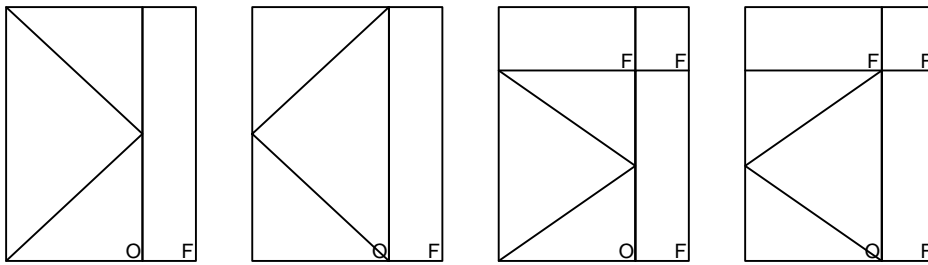
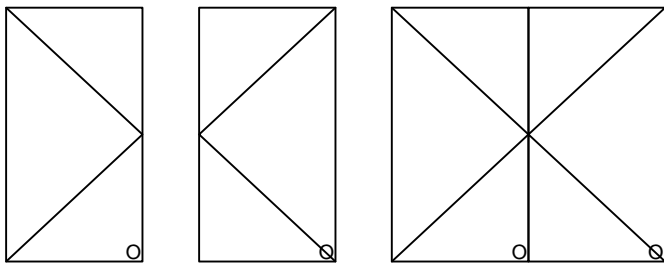
BUY WINDOWS  
 COPYRIGHT - THIS DRAWING CONTAINS BUY WINDOWS  
 PRIVILEGED INFORMATION AND IS THE  
 SUBJECT OF COPYRIGHT AND THE  
 DRAWING OR ANY PER THEREOF MAY

NOT BE REPRODUCED, COPIED OR LOANED IN ANY FORM WITHOUT THE PERMISSION OF BUY WINDOWS

03/12/2019 V5

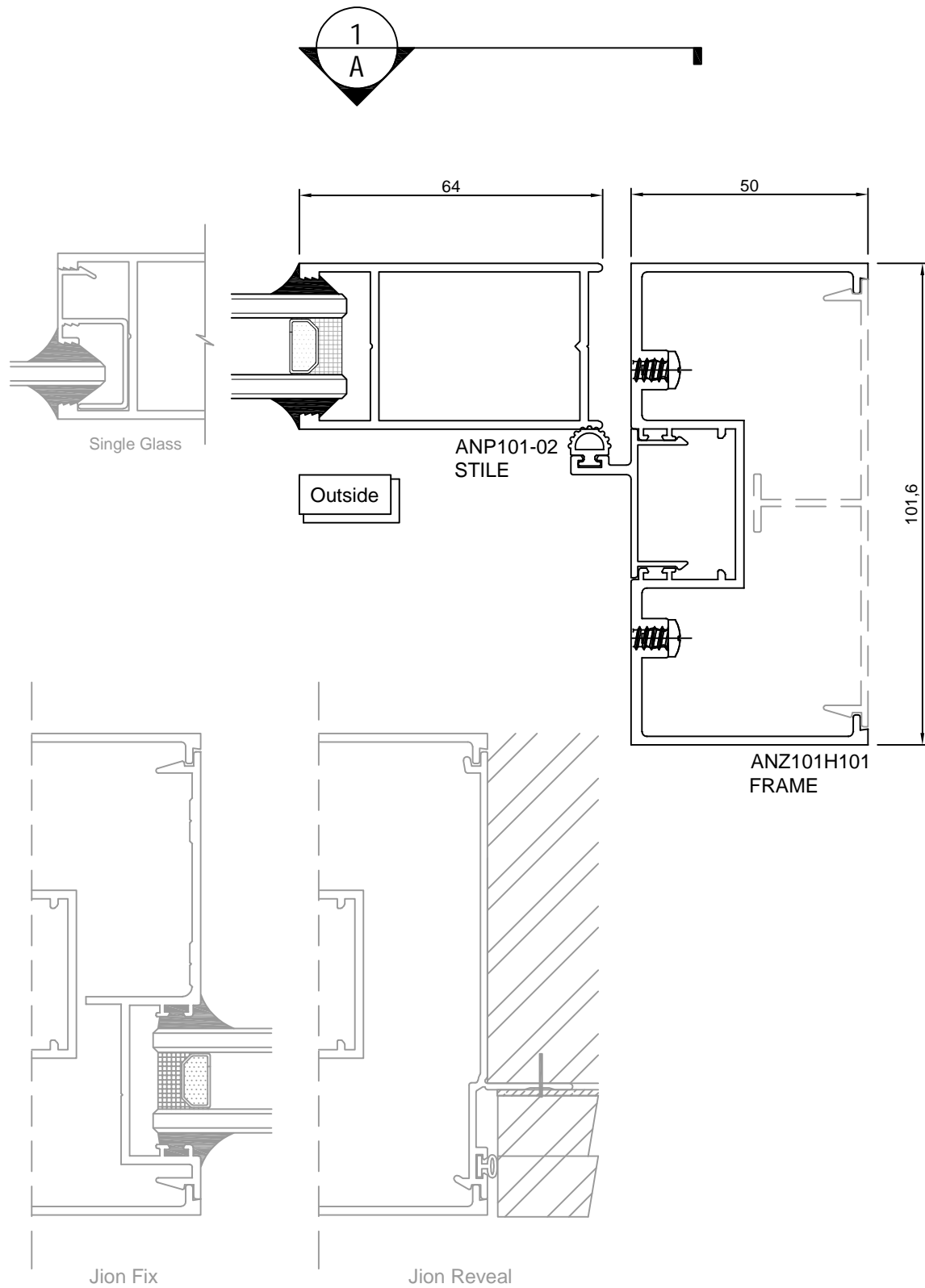


Product form





Product Detail

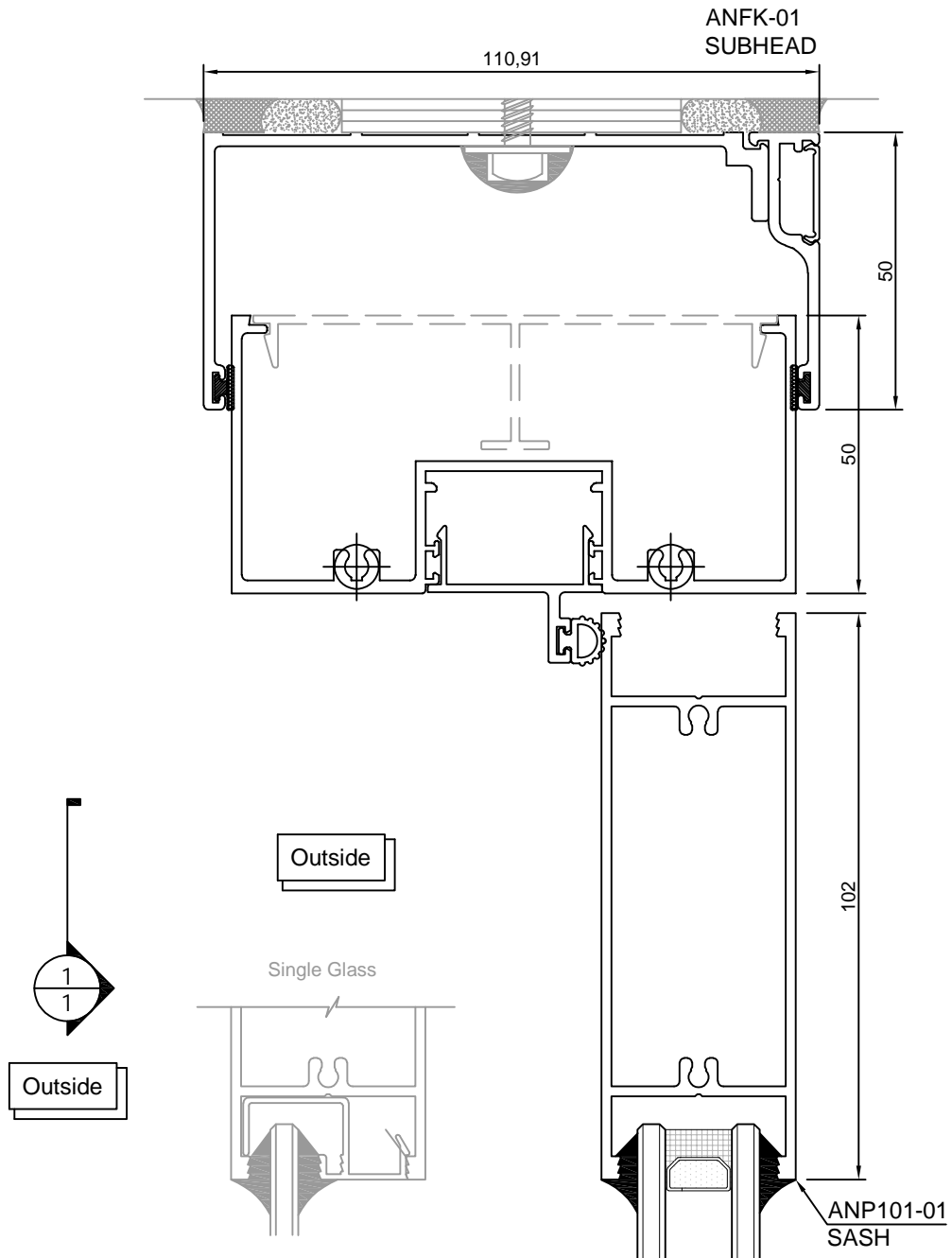


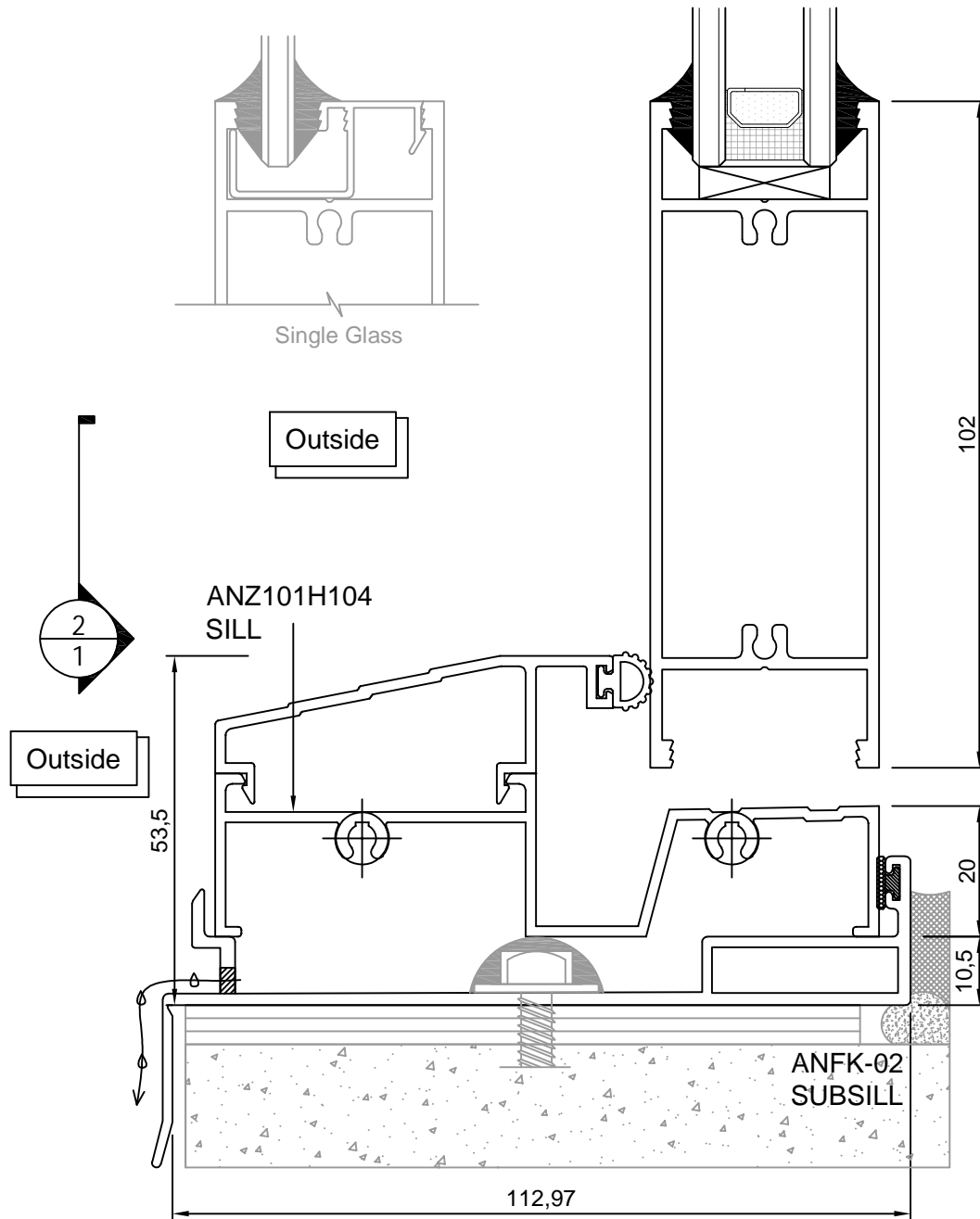
BUY WINDOWS  
 COPYRIGHT - THIS DRAWING CONTAINS BUY WINDOWS  
 PRIVILEGED INFORMATION AND IS THE  
 SUBJECT OF COPYRIGHT AND THE  
 DRAWING OR ANY PER THEREOF MAY  
 NOT BE REPRODUCED, COPIED OR LOANED IN ANY FORM WITHOUT THE PERMISSION OF BUY WINDOWS





Product Detail

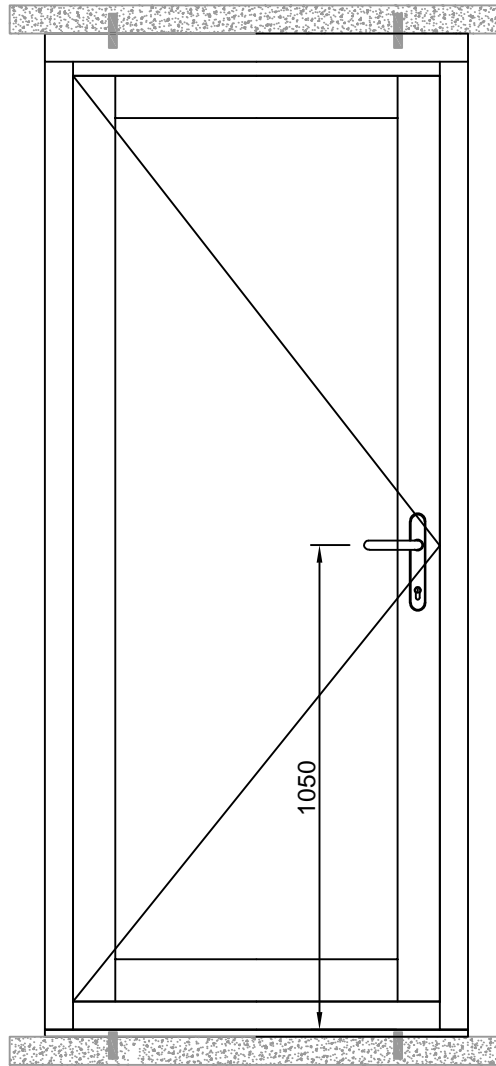




BUY WINDOWS  
COPYRIGHT - THIS DRAWING CONTAINS BUY WINDOWS  
PRIVILEGED INFORMATION AND IS THE  
SUBJECT OF COPYRIGHT AND THE  
DRAWING OR ANY PER THEREOF MAY  
NOT BE REPRODUCED, COPIED OR LOANED IN ANY FORM WITHOUT THE PERMISSION OF BUY WINDOWS

03/12/2019 V5

Product Detail

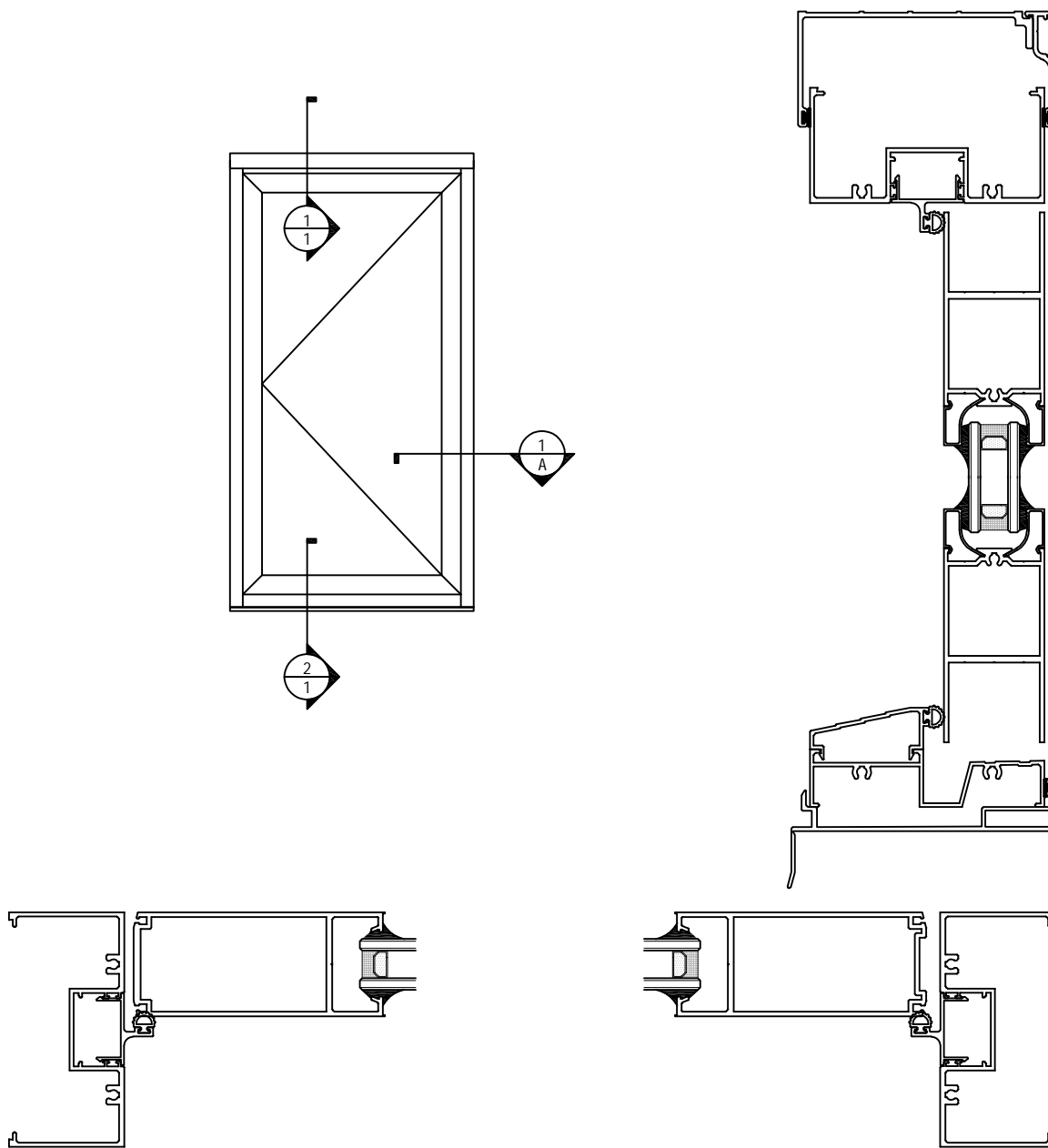


BUY WINDOWS  
COPYRIGHT - THIS DRAWING CONTAINS BUY WINDOWS  
PRIVILEGED INFORMATION AND IS THE  
SUBJECT OF COPYRIGHT AND THE  
DRAWING OR ANY PER THEREOF MAY  
NOT BE REPRODUCED, COPIED OR LOANED IN ANY FORM WITHOUT THE PERMISSION OF BUY WINDOWS

03/12/2019 V5



Product Brief Introduction



**COMPATIBLE WITH**

- C101 Series Fix Window.
- T101 Series Sliding Door.
- HDT101 Series Sliding Door.

**Features & Benefits**

- 101.6mm X 50mm Frame.
- Architectural Applications.
- Supports Single Glazing.
- Compatible Door And Window.

**GLAZING DETAILS**

- 10.78Lam
- 5Clr;5Obs
- 6Clr;6Obs
- 5Clr/12Ar/ 5Clr
- 5Obs /12Ar/ 5Clr
- 5Low-E/12Ar/ 5Clr
- 6Clr/12Ar/ 6Clr
- 6Obs /12Ar/ 6Clr
- 6Low-E/12Ar/ 6Clr

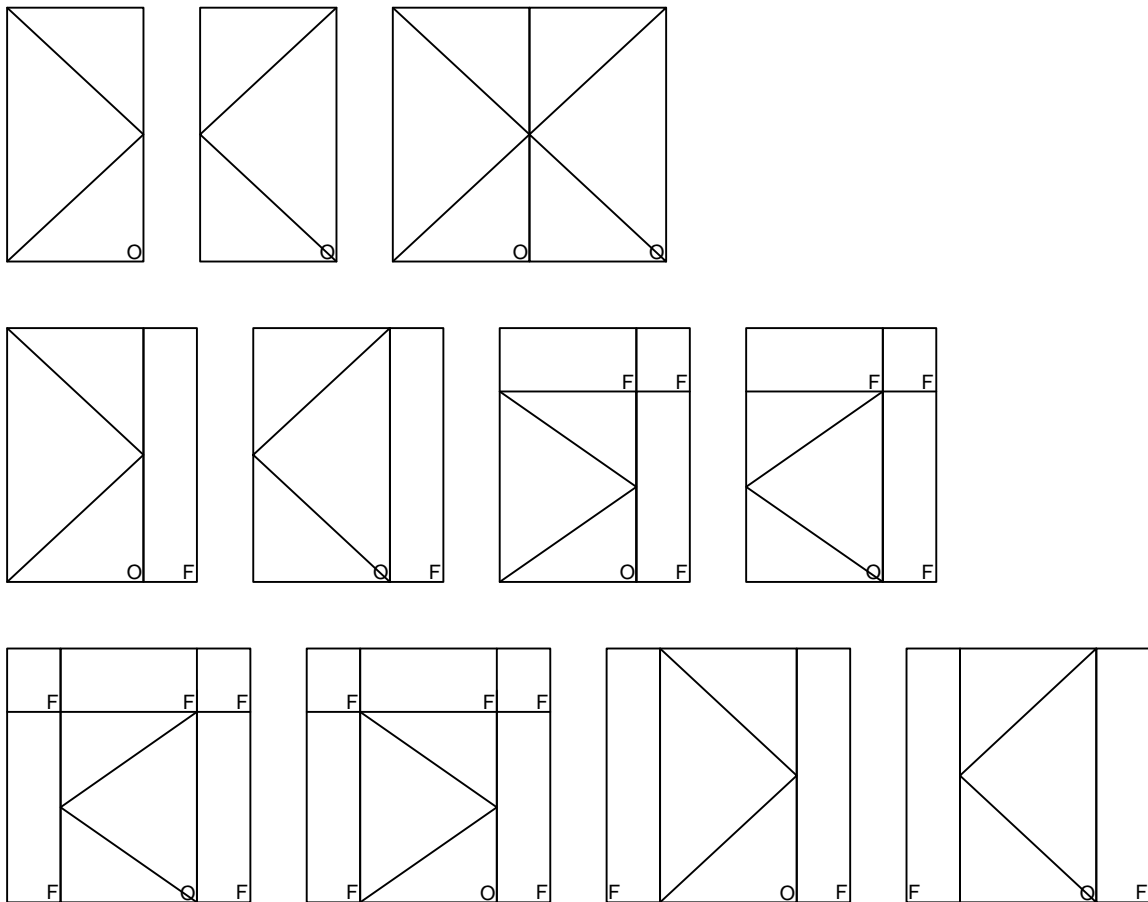
**PRODUCT SPECS**

- Max.Recommended Sizes
- Height: 2500
  - Width: 1050
- Max.Product Performance
- Water (PA): 150 Pa

BUY WINDOWS  
 COPYRIGHT - THIS DRAWING CONTAINS BUY WINDOWS  
 PRIVILEGED INFORMATION AND IS THE  
 SUBJECT OF COPYRIGHT AND THE  
 DRAWING OR ANY PER THEREOF MAY  
 NOT BE REPRODUCED, COPIED OR LOANED IN ANY FORM WITHOUT THE PERMISSION OF BUY WINDOWS

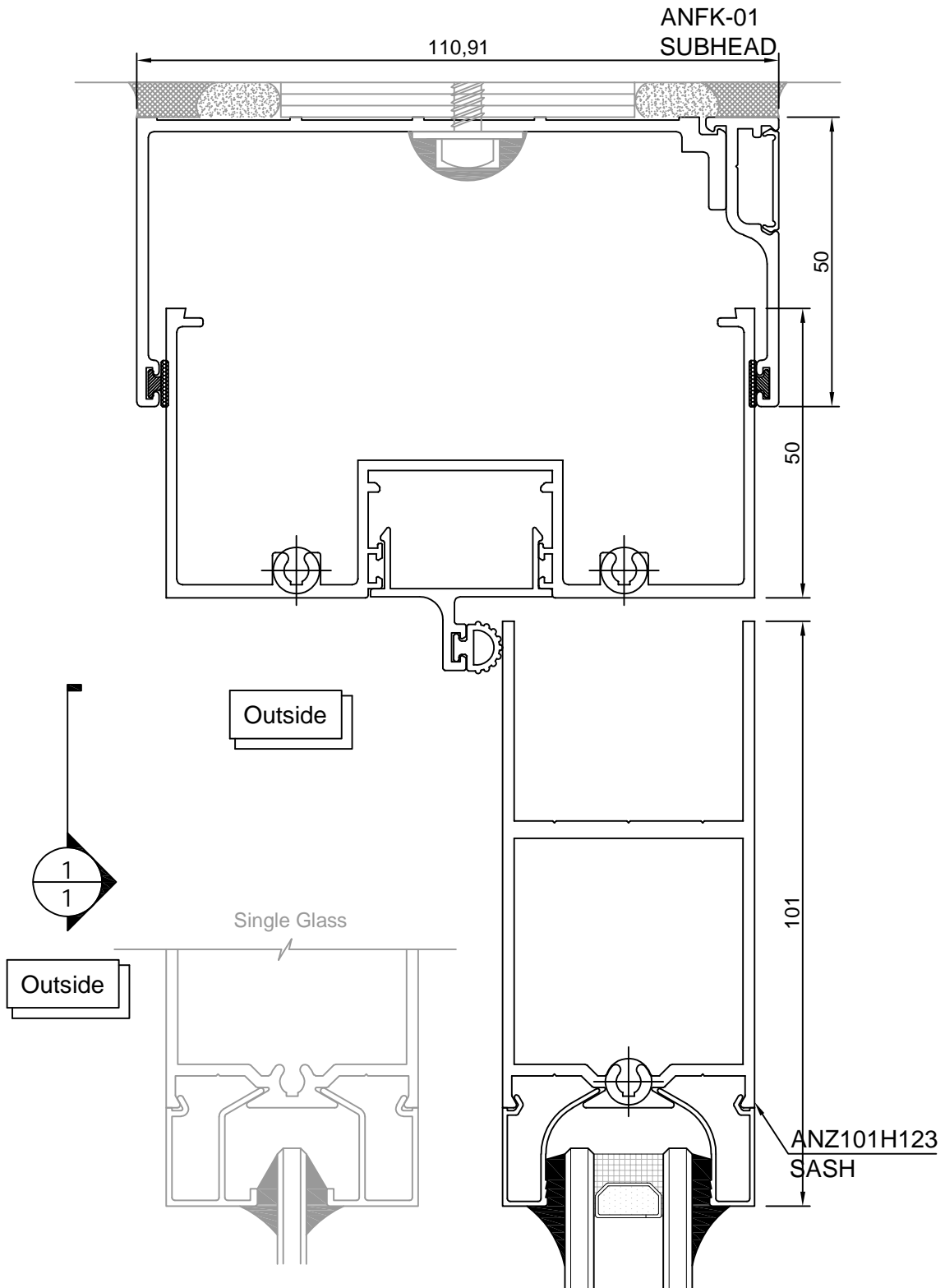


Product form

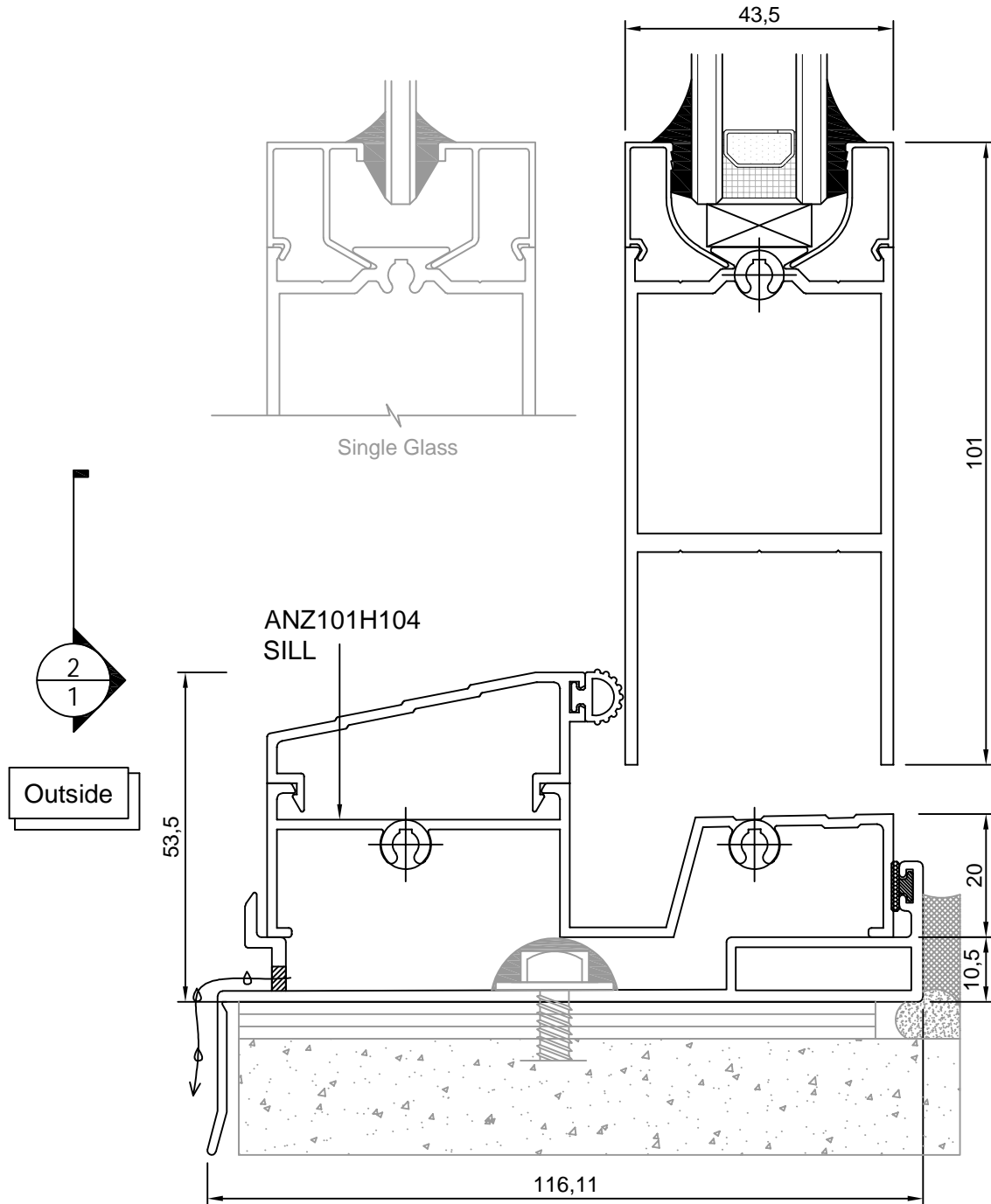




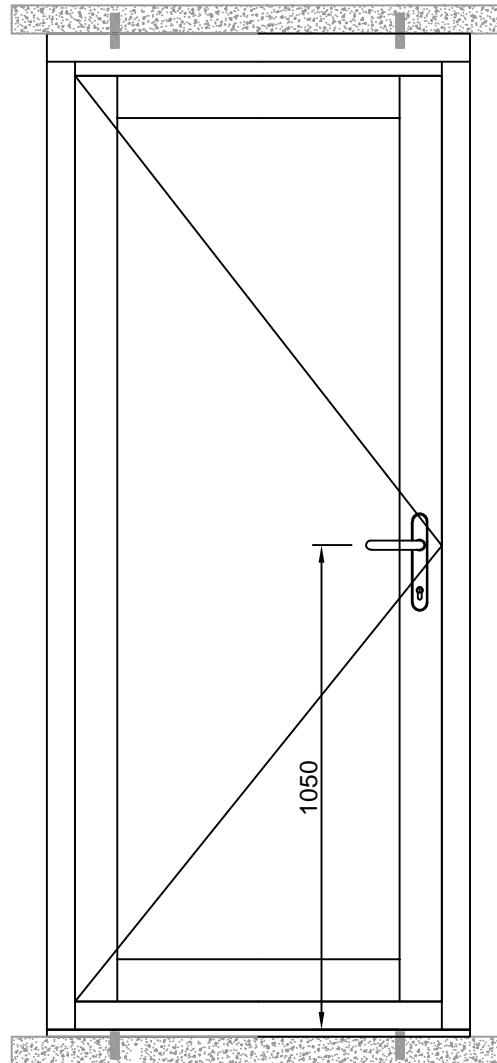
Product Detail



BUY WINDOWS  
COPYRIGHT - THIS DRAWING CONTAINS BUY WINDOWS  
PRIVILEGED INFORMATION AND IS THE  
SUBJECT OF COPYRIGHT AND THE  
DRAWING OR ANY PER THEREOF MAY  
NOT BE REPRODUCED, COPIED OR LOANED IN ANY FORM WITHOUT THE PERMISSION OF BUY WINDOWS



BUY WINDOWS  
COPYRIGHT - THIS DRAWING CONTAINS BUY WINDOWS  
PRIVILEGED INFORMATION AND IS THE  
SUBJECT OF COPYRIGHT AND THE  
DRAWING OR ANY PER THEREOF MAY  
NOT BE REPRODUCED, COPIED OR LOANED IN ANY FORM WITHOUT THE PERMISSION OF BUY WINDOWS



BUY WINDOWS  
COPYRIGHT - THIS DRAWING CONTAINS BUY WINDOWS  
PRIVILEGED INFORMATION AND IS THE  
SUBJECT OF COPYRIGHT AND THE  
DRAWING OR ANY PER THEREOF MAY  
NOT BE REPRODUCED, COPIED OR LOANED IN ANY FORM WITHOUT THE PERMISSION OF BUY WINDOWS

03/12/2019 V5

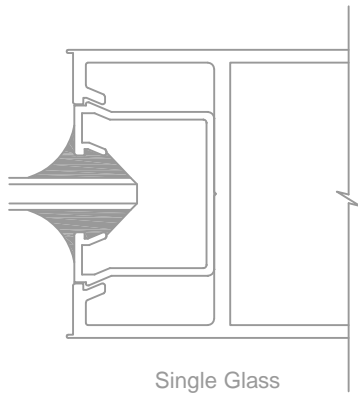


# H45 Commercial Series Hinged Door

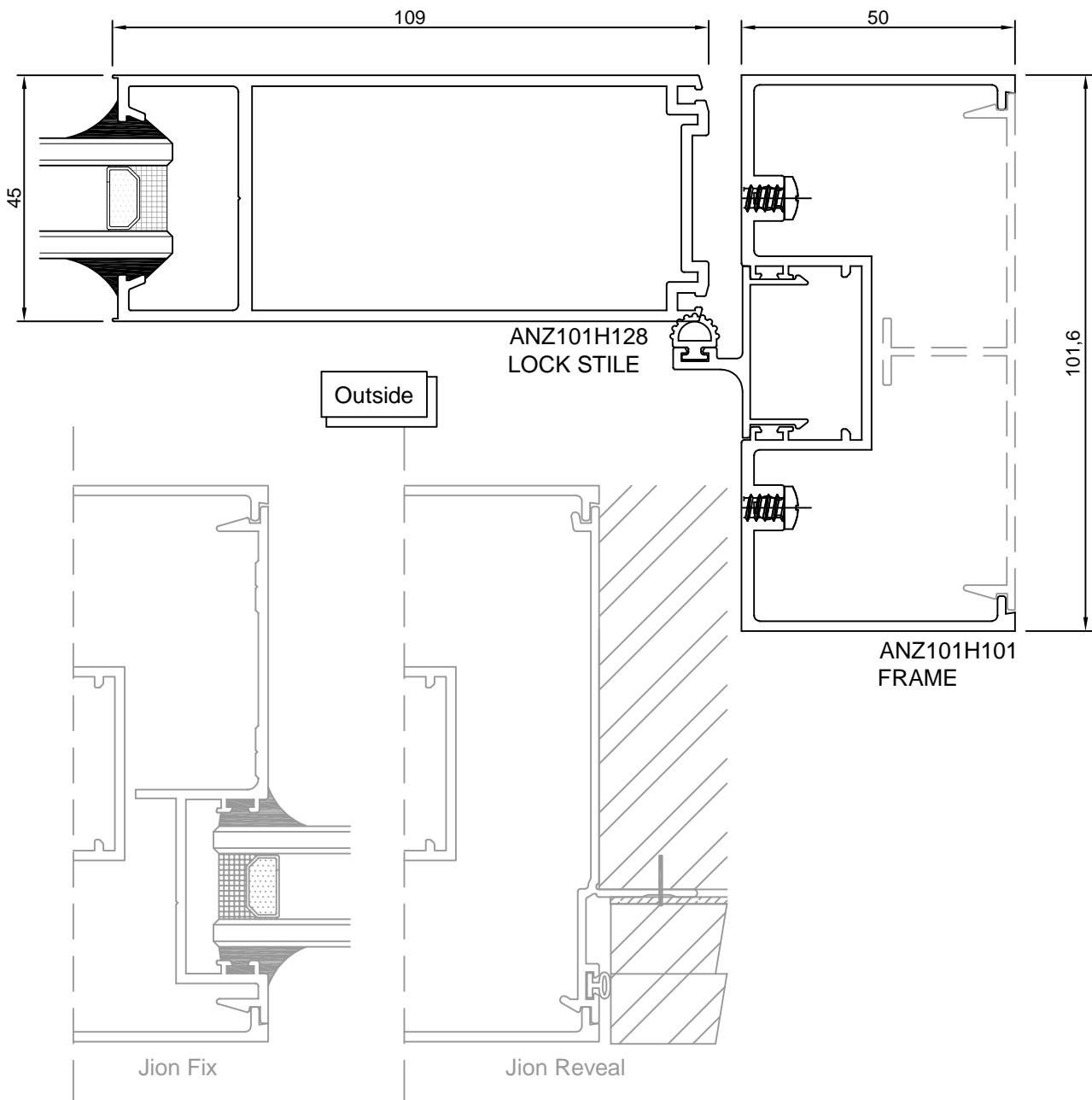
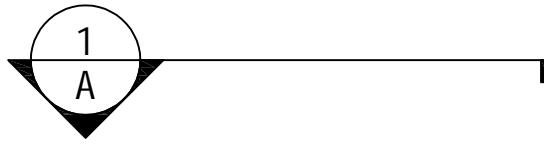


BuyWindows

## Product Detail



Single Glass

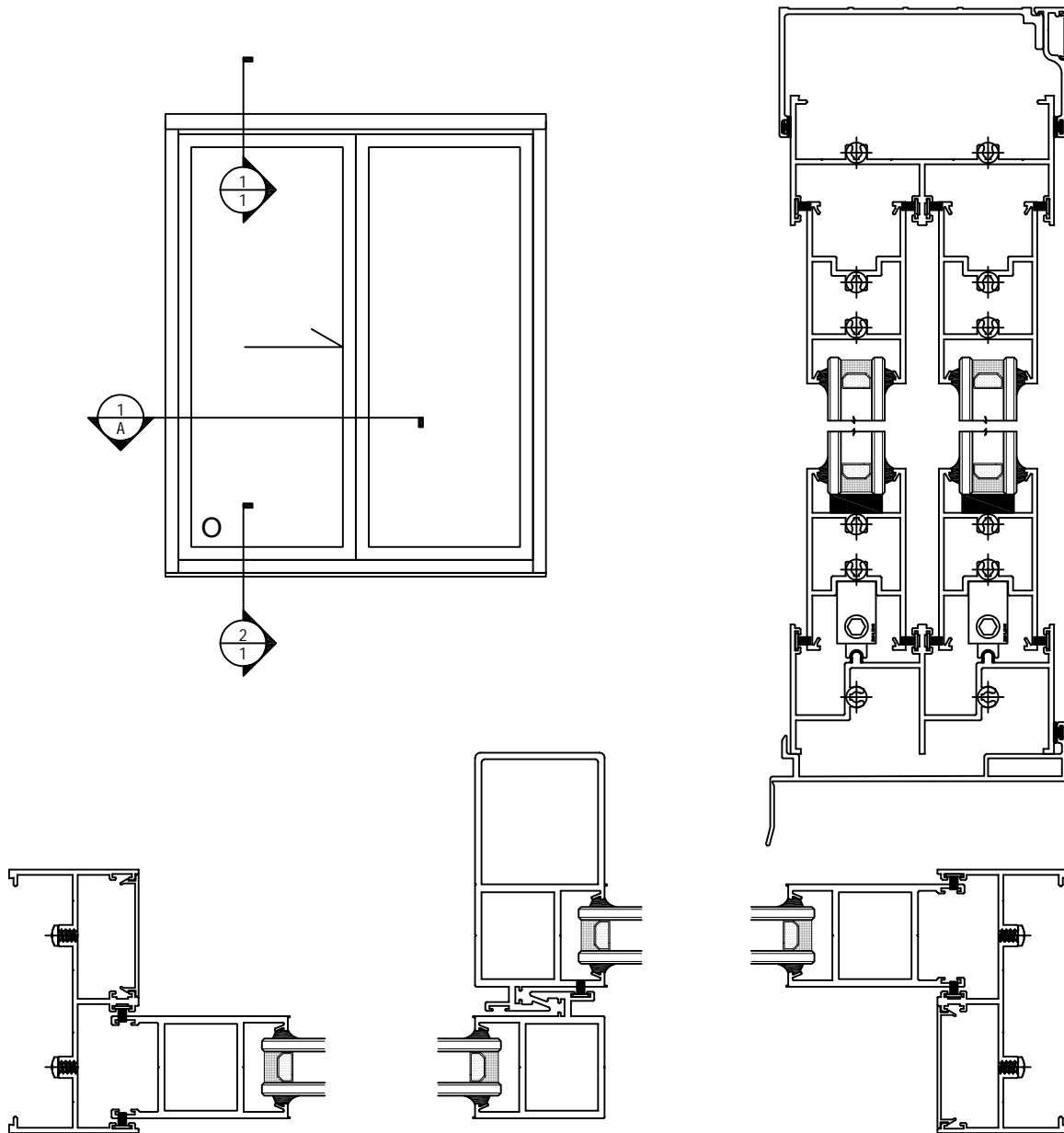


BUY WINDOWS  
COPYRIGHT - THIS DRAWING CONTAINS BUY WINDOWS  
PRIVILEGED INFORMATION AND IS THE  
SUBJECT OF COPYRIGHT AND THE  
DRAWING OR ANY PER THEREOF MAY  
NOT BE REPRODUCED, COPIED OR LOANED IN ANY FORM WITHOUT THE PERMISSION OF BUY WINDOWS

03/12/2019 V5



## Product Brief Introduction



### COMPATIBLE WITH

- C101 Series Window.
- H35 Series Hinged Door.
- H45 Series Hinged Door.

### Features & Benefits

- 101.6mm X 50mm Frame.
- Architectural Applications.
- Supports Single Glazing.
- Compatible Door And Window.

### GLAZING DETAILS

- 5Clr/12Ar/ 5Clr
- 5Obs /12Ar/ 5Clr
- 5Low-E/12Ar/ 5Clr
- 6Clr/12Ar/ 6Clr
- 6Obs /12Ar/ 6Clr
- 6Low-E/12Ar/ 6Clr

### PRODUCT SPECS

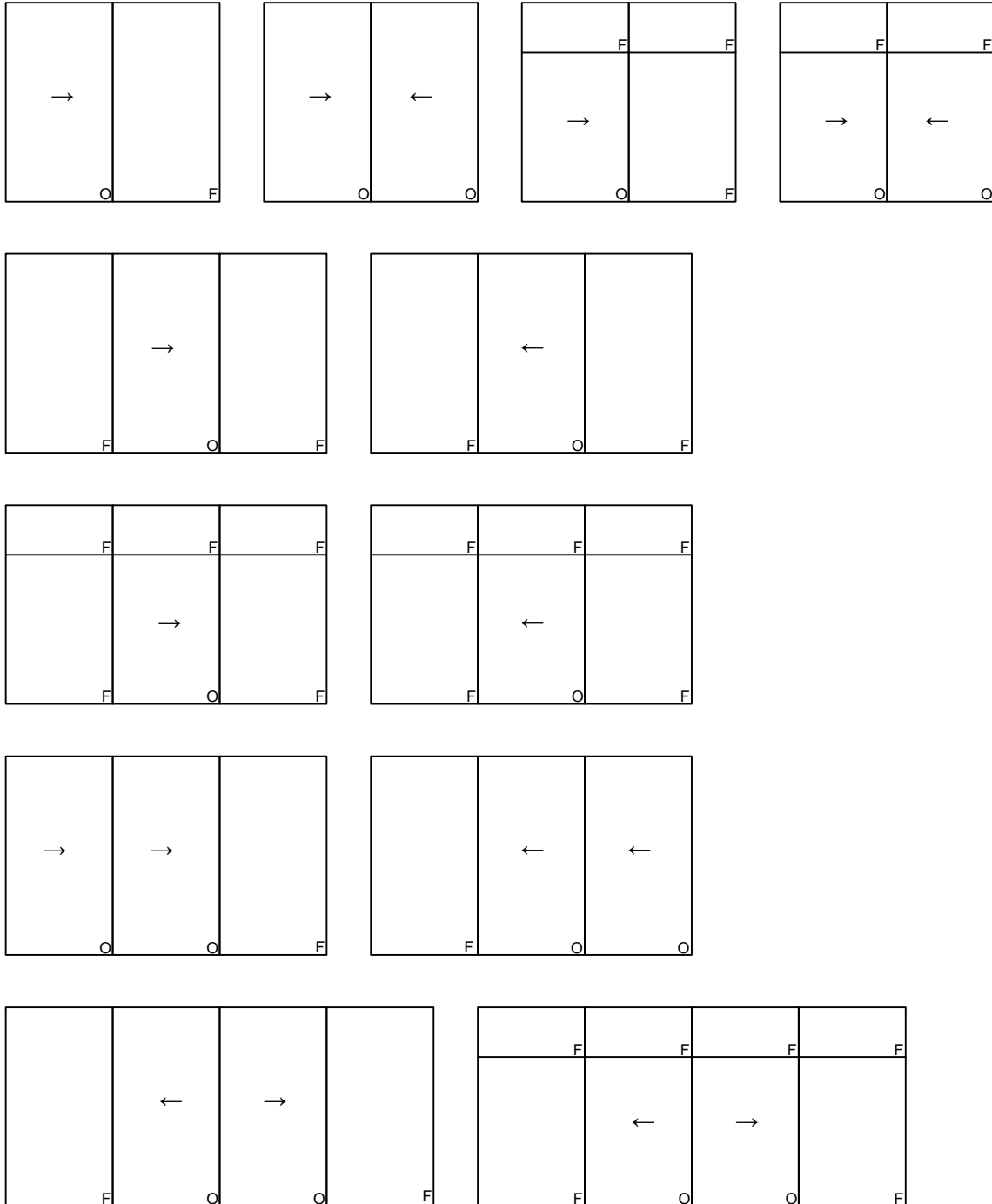
- Max.Recommended Sizes
- Height: 3000
  - Width: 4000
- Max.Product Performance
- Water (PA): Null

BUY WINDOWS  
 COPYRIGHT - THIS DRAWING CONTAINS BUY WINDOWS  
 PRIVILEGED INFORMATION AND IS THE  
 SUBJECT OF COPYRIGHT AND THE  
 DRAWING OR ANY PER THEREOF MAY  
 NOT BE REPRODUCED, COPIED OR LOANED IN ANY FORM WITHOUT THE PERMISSION OF BUY WINDOWS

03/12/2019 V5

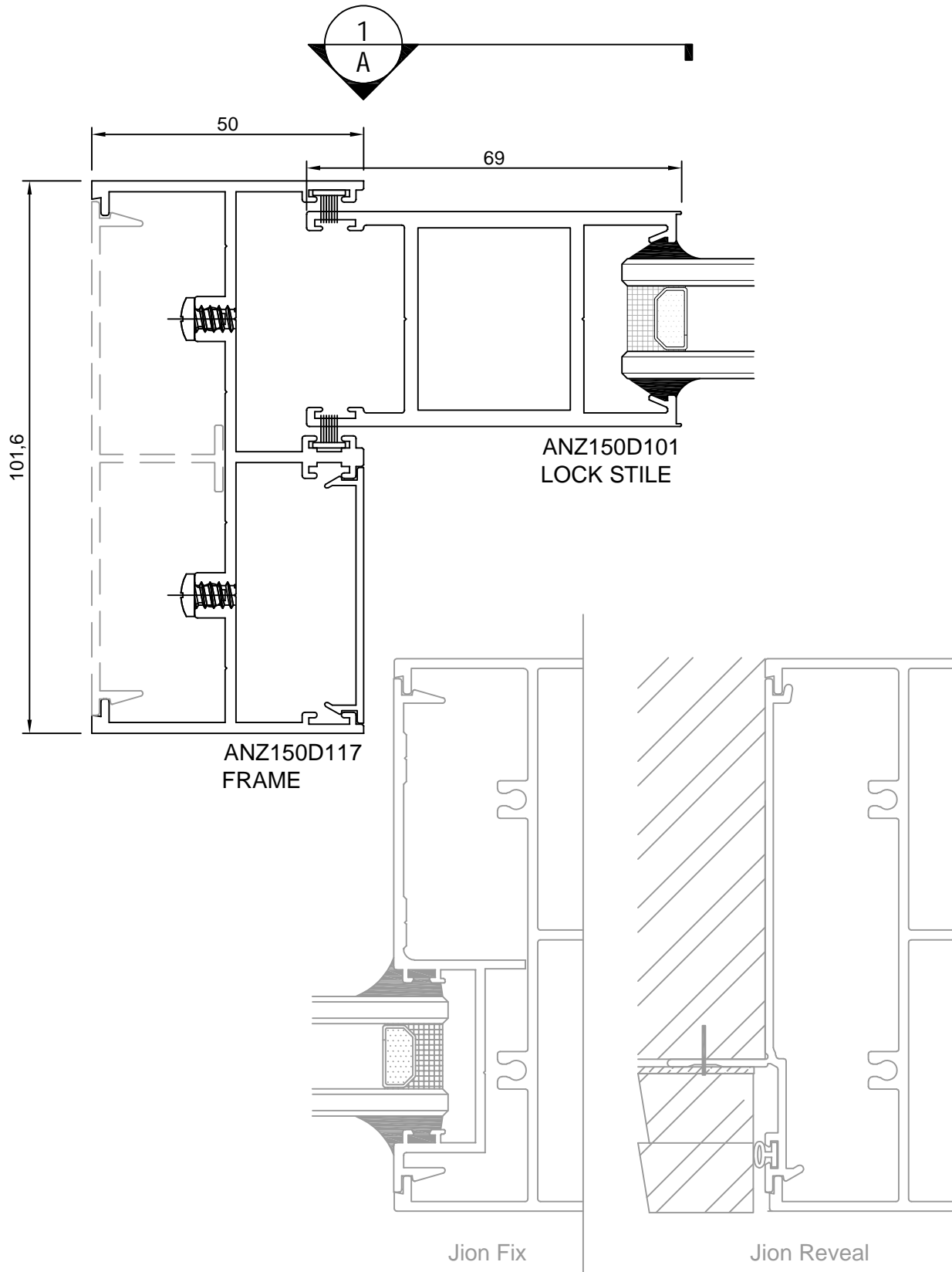


## Product form



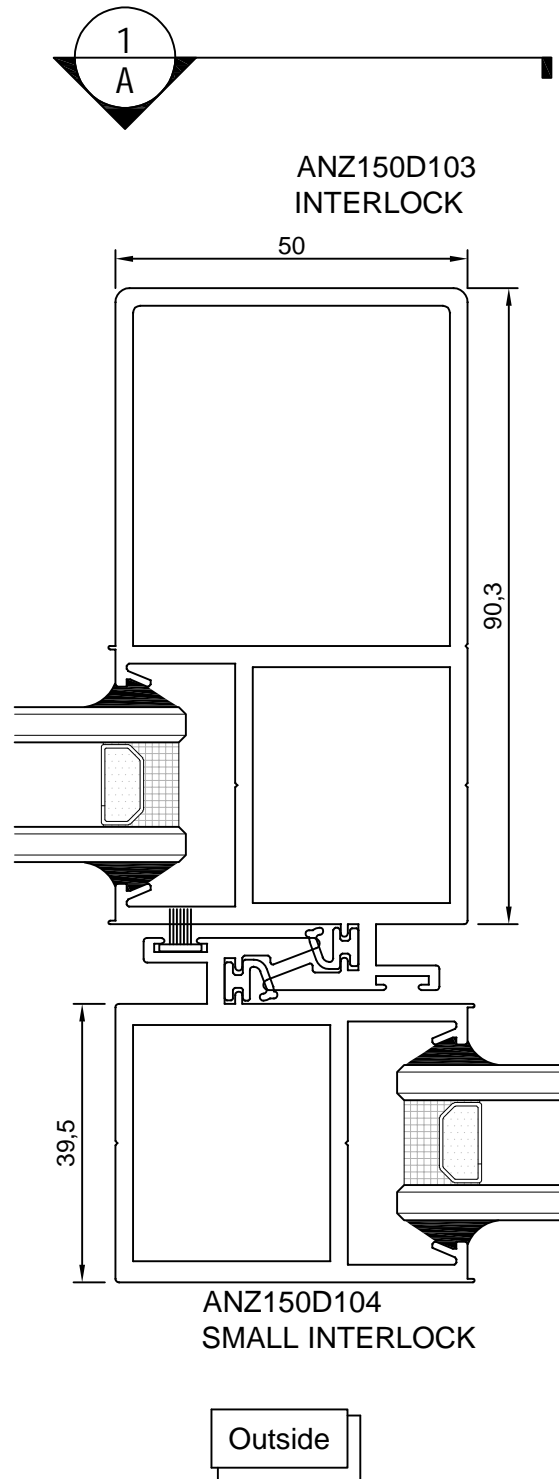


Product Detail



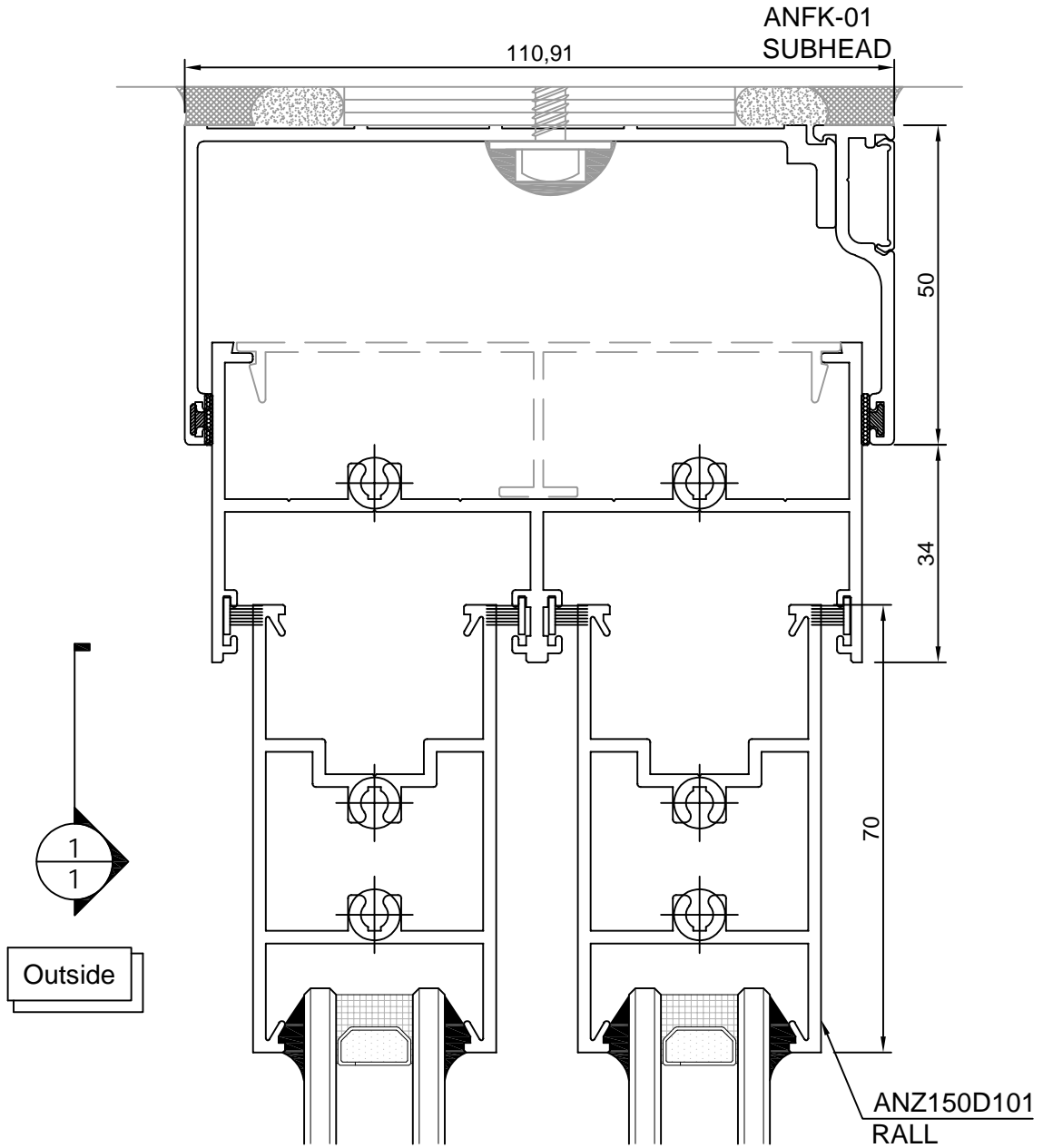
BUY WINDOWS  
 COPYRIGHT - THIS DRAWING CONTAINS BUY WINDOWS  
 PRIVILEGED INFORMATION AND IS THE  
 SUBJECT OF COPYRIGHT AND THE  
 DRAWING OR ANY PER THEREOF MAY  
 NOT BE REPRODUCED, COPIED OR LOANED IN ANY FORM WITHOUT THE PERMISSION OF BUY WINDOWS

03/12/2019 V5





Product Detail

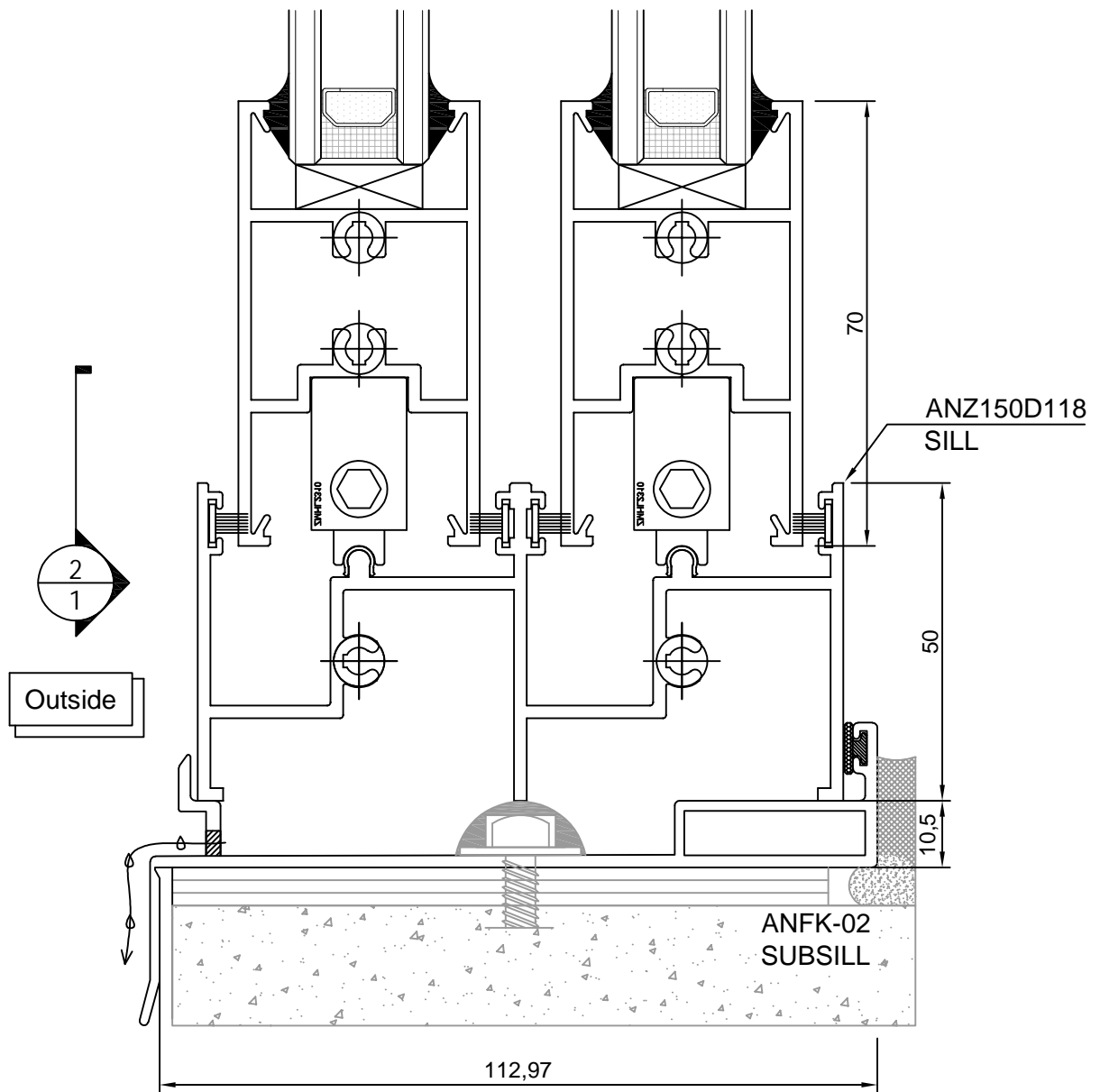


BUY WINDOWS  
COPYRIGHT - THIS DRAWING CONTAINS BUY WINDOWS  
PRIVILEGED INFORMATION AND IS THE  
SUBJECT OF COPYRIGHT AND THE  
DRAWING OR ANY PER THEREOF MAY  
NOT BE REPRODUCED, COPIED OR LOANED IN ANY FORM WITHOUT THE PERMISSION OF BUY WINDOWS

03/12/2019 V5

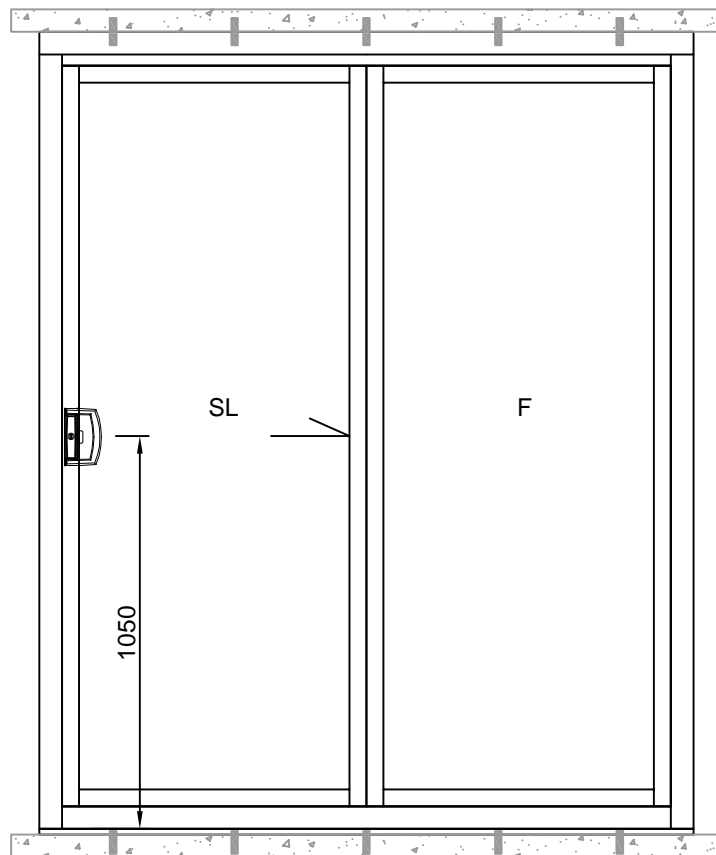


Product Detail



BUY WINDOWS  
COPYRIGHT - THIS DRAWING CONTAINS BUY WINDOWS  
PRIVILEGED INFORMATION AND IS THE  
SUBJECT OF COPYRIGHT AND THE  
DRAWING OR ANY PER THEREOF MAY  
NOT BE REPRODUCED, COPIED OR LOANED IN ANY FORM WITHOUT THE PERMISSION OF BUY WINDOWS

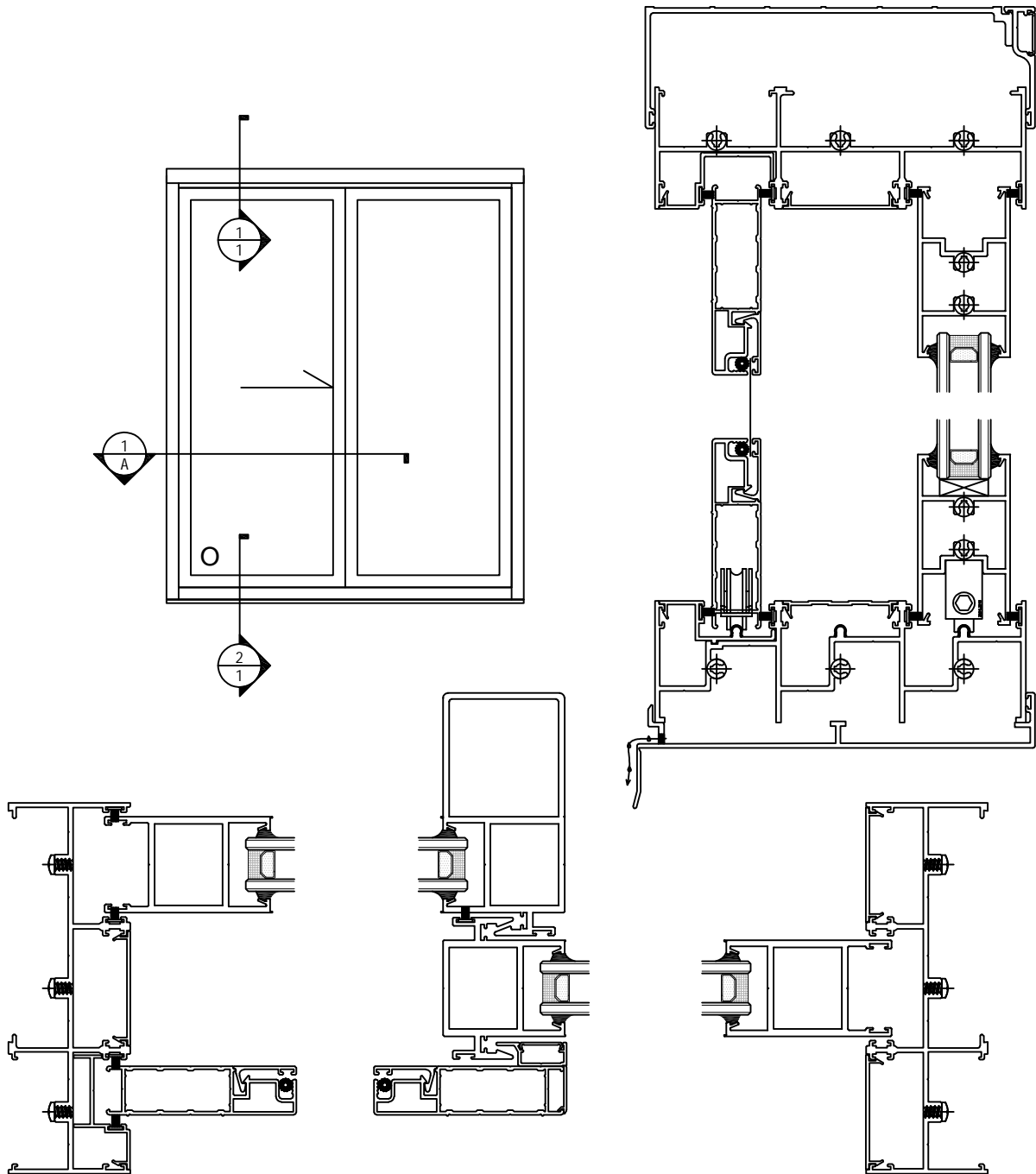
03/12/2019 V5







Product Brief Introduction



**COMPATIBLE WITH**

**Features & Benefits**

- 152.4mm X 50mm Frame.
- Architectural Applications.
- Supports Single Glazing.
- Compatible Door And Window.

**GLAZING DETAILS**

- 5Clr/12Ar/ 5Clr
- 5Obs /12Ar/ 5Clr
- 5Low-E/12Ar/ 5Clr
- 6Clr/12Ar/ 6Clr
- 6Obs /12Ar/ 6Clr
- 6Low-E/12Ar/ 6Clr

**PRODUCT SPECS**

Max.Recommended Sizes

- Height: 3000
- Width: 4000

Max.Product Performance

- Water (PA): Null

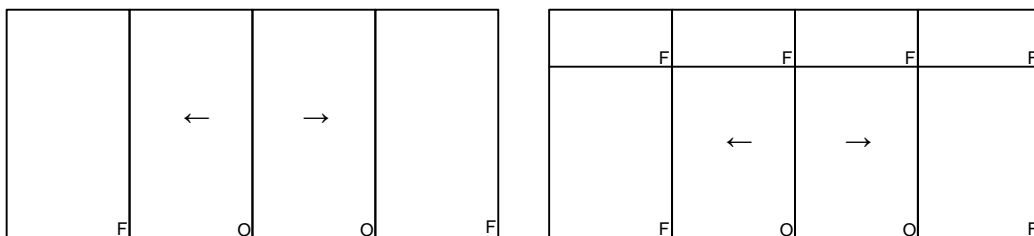
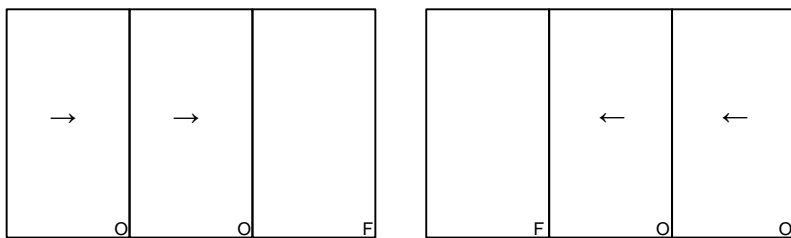
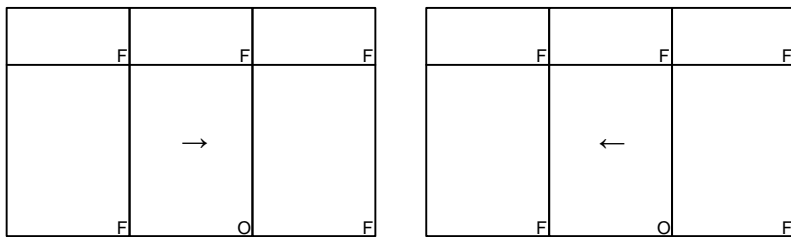
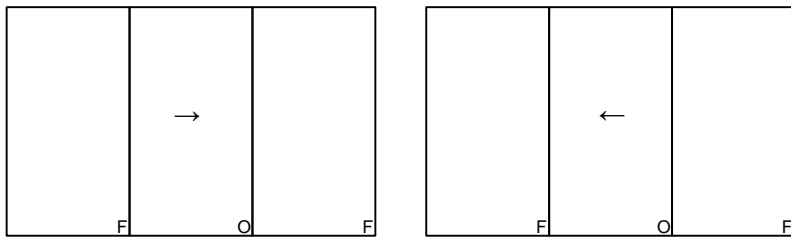
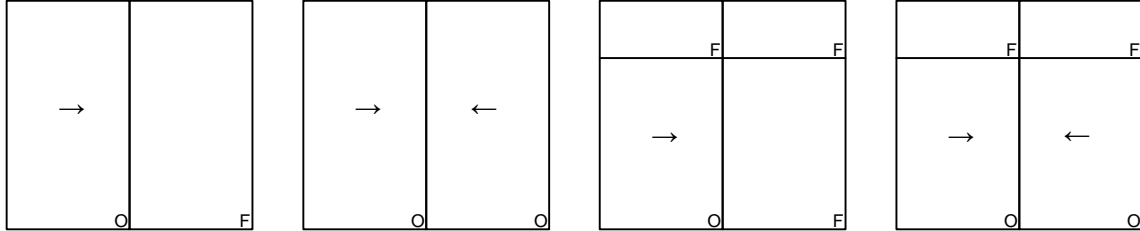
BUY WINDOWS  
 COPYRIGHT - THIS DRAWING CONTAINS BUY WINDOWS  
 PRIVILEGED INFORMATION AND IS THE  
 SUBJECT OF COPYRIGHT AND THE  
 DRAWING OR ANY PER THEREOF MAY

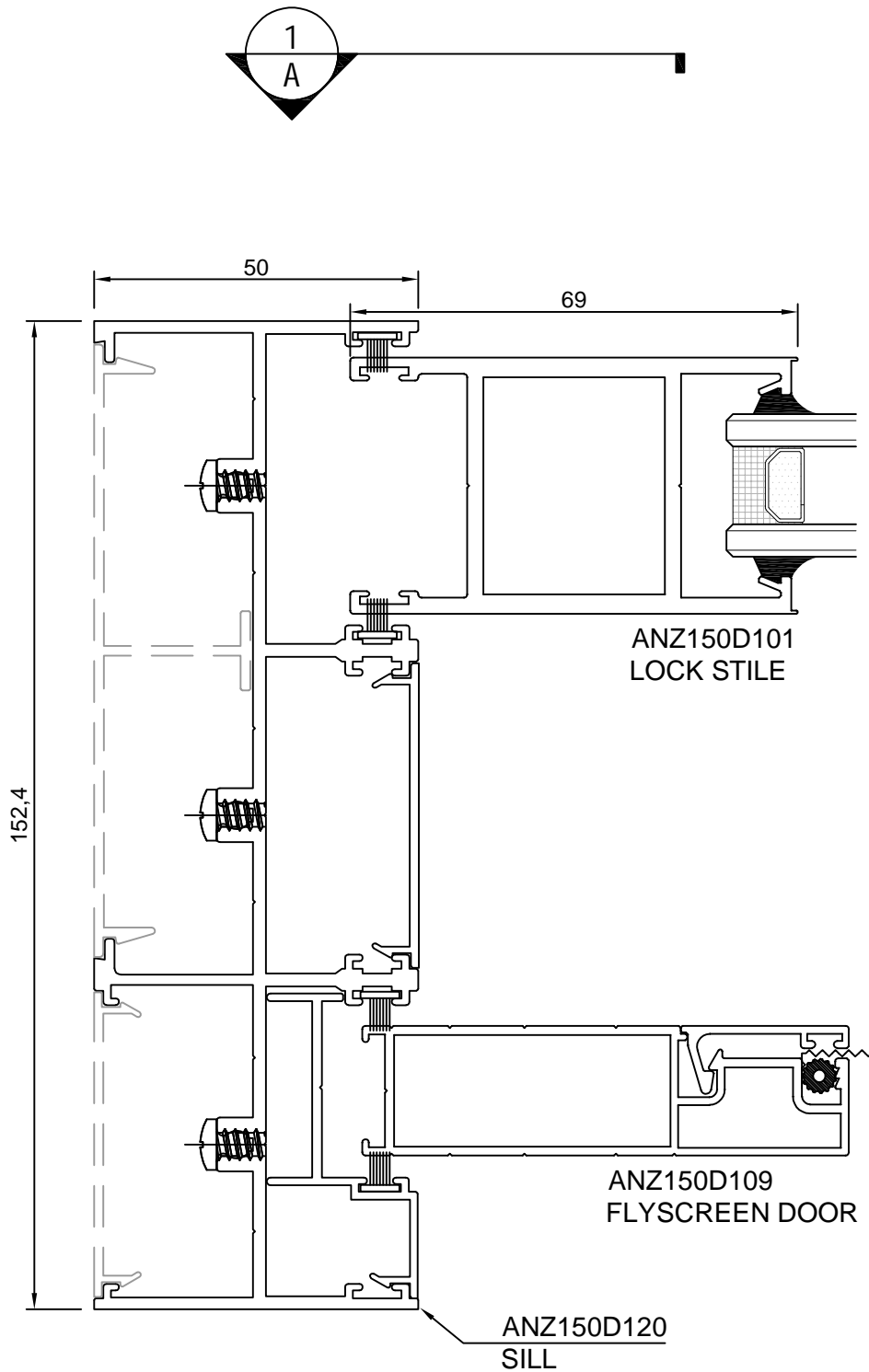
NOT BE REPRODUCED, COPIED OR LOANED IN ANY FORM WITHOUT THE PERMISSION OF BUY WINDOWS

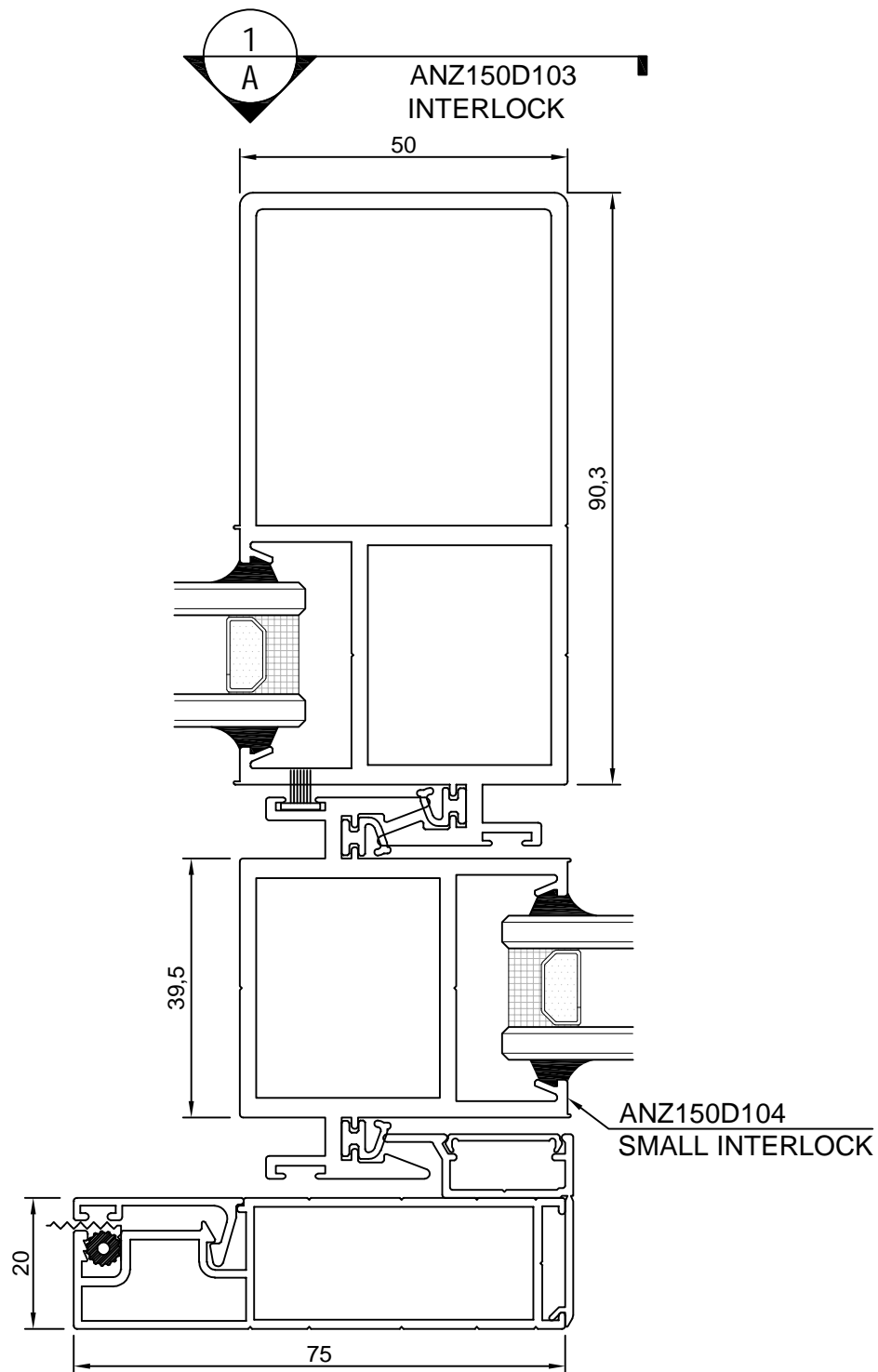
03/12/2019 V5

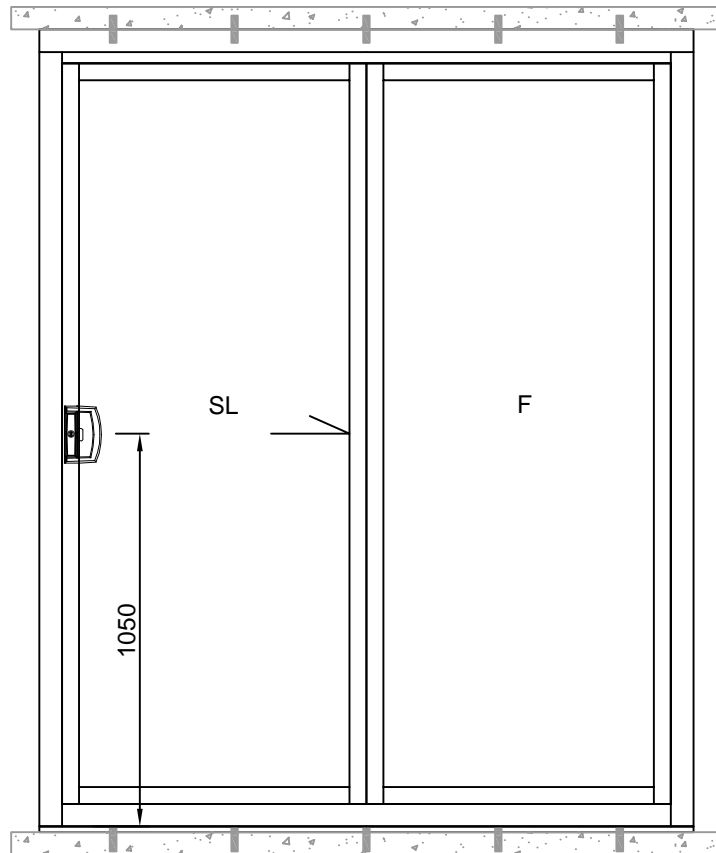


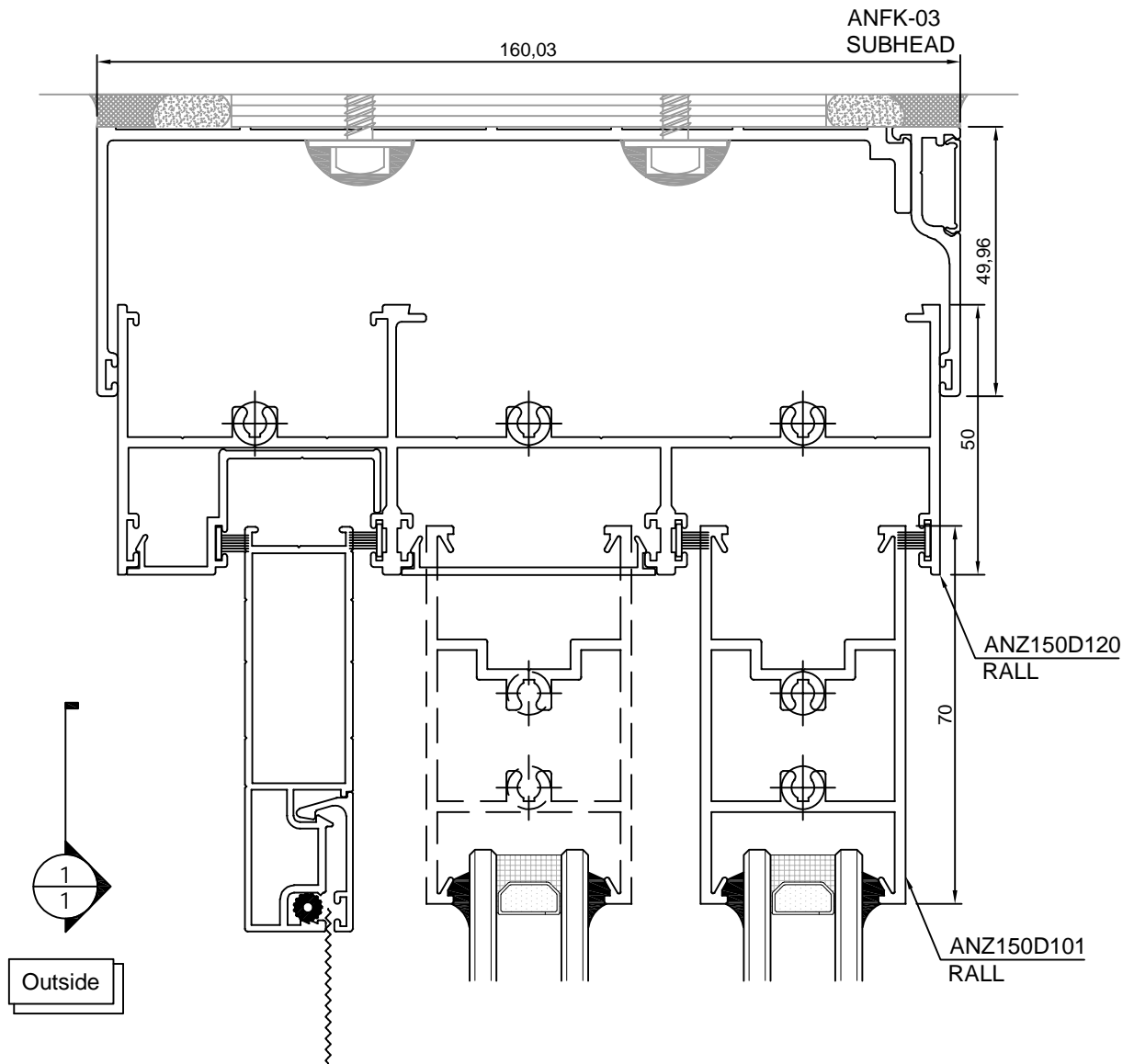
## Product form









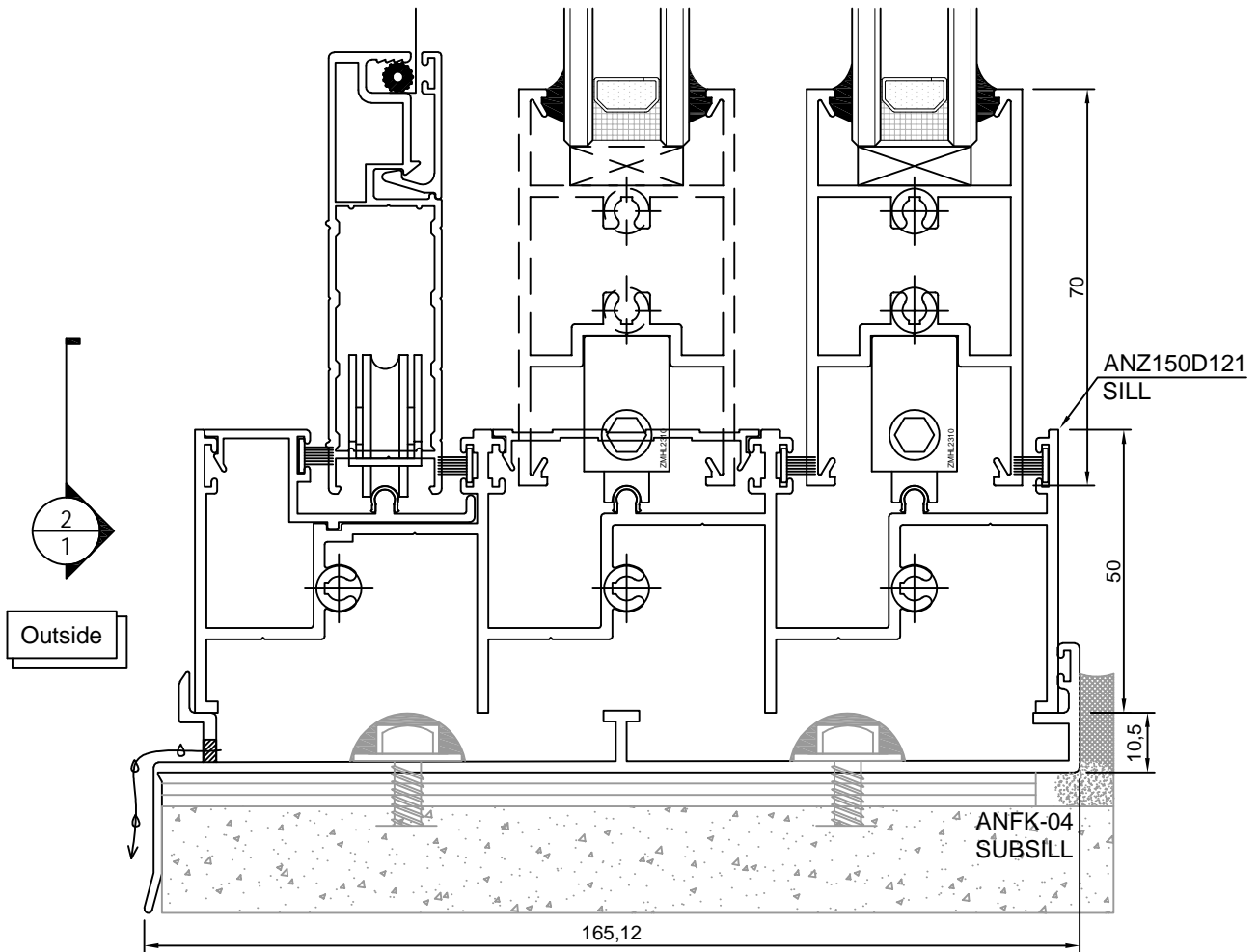


BUY WINDOWS  
COPYRIGHT - THIS DRAWING CONTAINS BUY WINDOWS  
PRIVILEGED INFORMATION AND IS THE  
SUBJECT OF COPYRIGHT AND THE  
DRAWING OR ANY PER THEREOF MAY  
NOT BE REPRODUCED, COPIED OR LOANED IN ANY FORM WITHOUT THE PERMISSION OF BUY WINDOWS

03/12/2019 V5

# HDT150 Commercial Series Sliding Door

## Product Detail

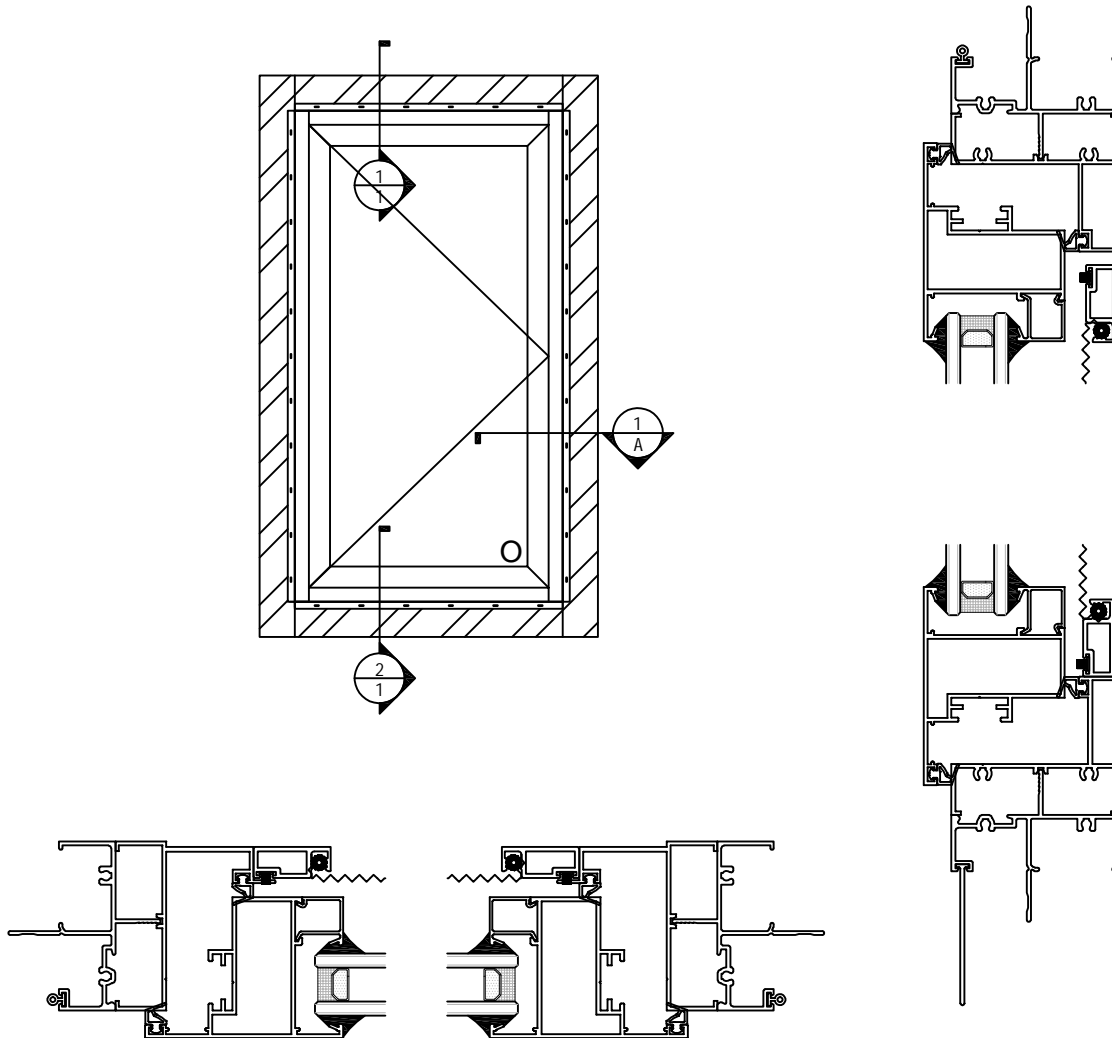


BUY WINDOWS  
COPYRIGHT - THIS DRAWING CONTAINS BUY WINDOWS  
PRIVILEGED INFORMATION AND IS THE  
SUBJECT OF COPYRIGHT AND THE  
DRAWING OR ANY PER THEREOF MAY  
NOT BE REPRODUCED, COPIED OR LOANED IN ANY FORM WITHOUT THE PERMISSION OF BUY WINDOWS

03/12/2019 V5



Product Brief Introduction



**COMPATIBLE WITH**

- C60 Series Fix Window

**Features & Benefits**

- 60mm X 20mm Frame.
- Architectural Applications.
- Supports Single Glazing.

**GLAZING DETAILS**

- 10.78Lam
- 5Clr;5Obs
- 6Clr;6Obs
- 5Clr/9Ar/ 5Clr
- 5Obs /9Ar/ 5Clr
- 5Low-E/9Ar/ 5Clr

BUY WINDOWS  
 COPYRIGHT - THIS DRAWING CONTAINS BUY WINDOWS  
 PRIVILEGED INFORMATION AND IS THE  
 SUBJECT OF COPYRIGHT AND THE  
 DRAWING OR ANY PER THEREOF MAY  
 NOT BE REPRODUCED, COPIED OR LOANED IN ANY FORM WITHOUT THE PERMISSION OF BUY WINDOWS

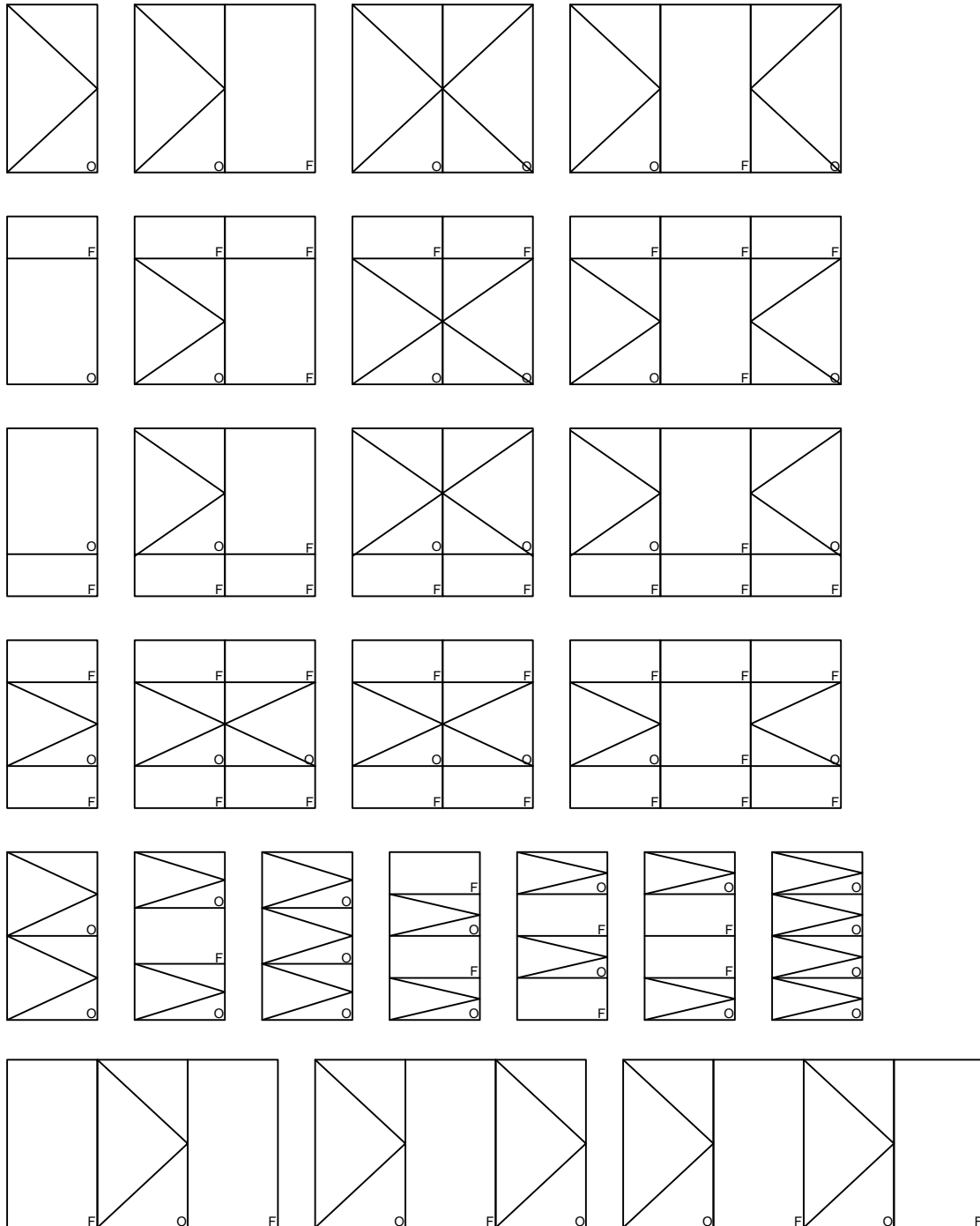


# C60 Residential Series Casement Window



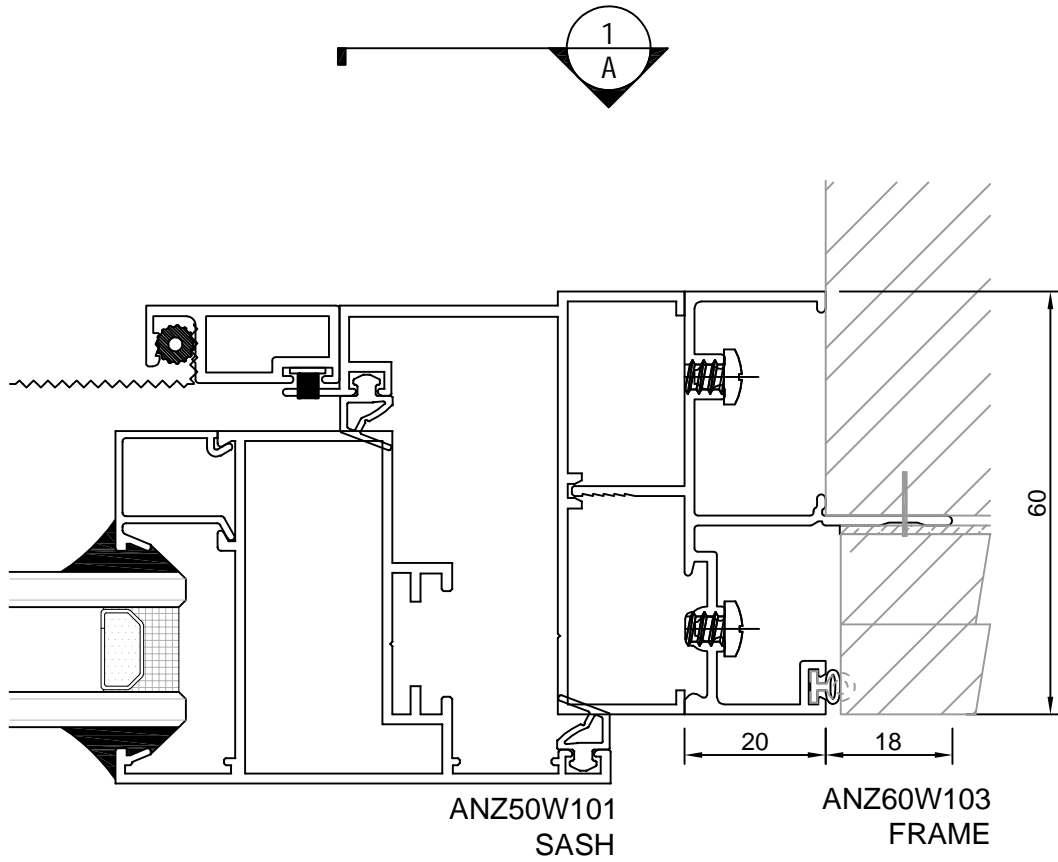
BuyWindows

## Product form

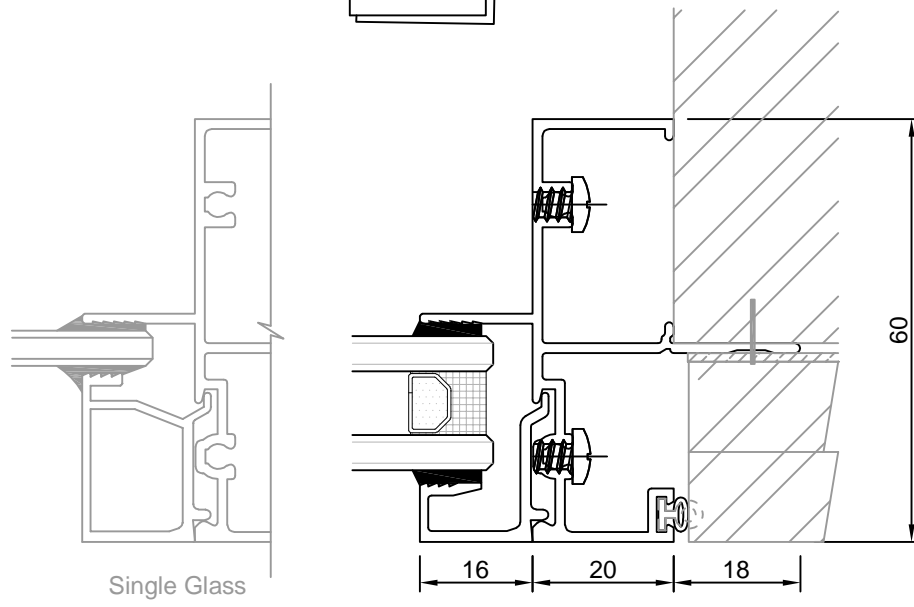




Product Detail



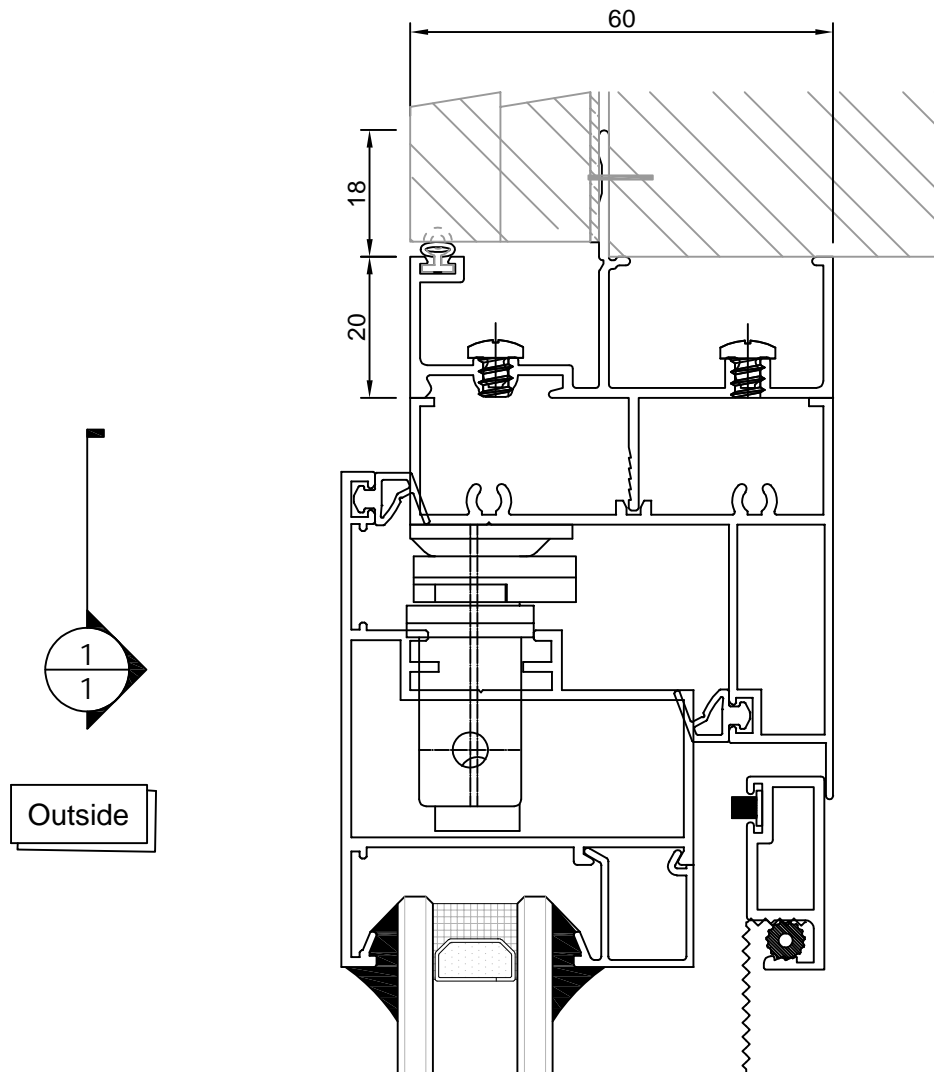
Outside



Outside

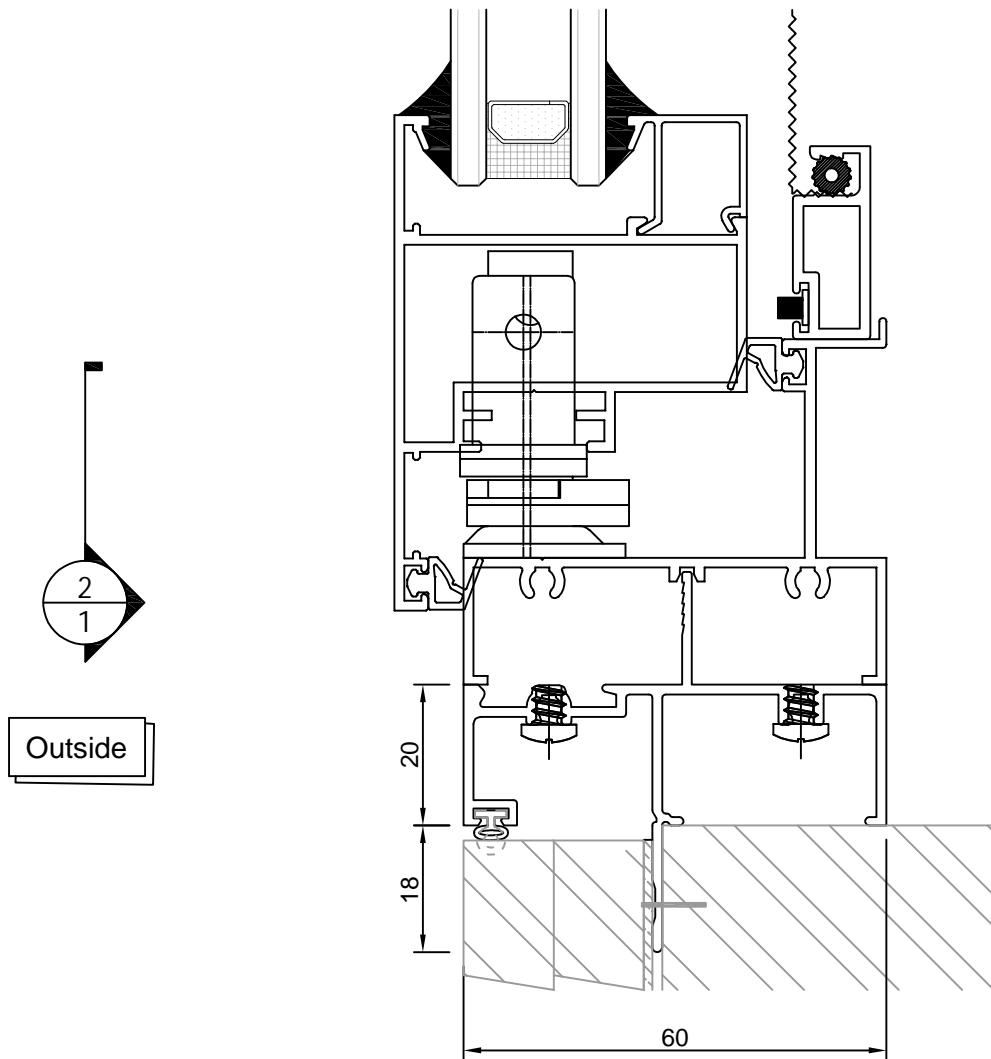
# C60 Residential Series Casement Window

## Product Detail



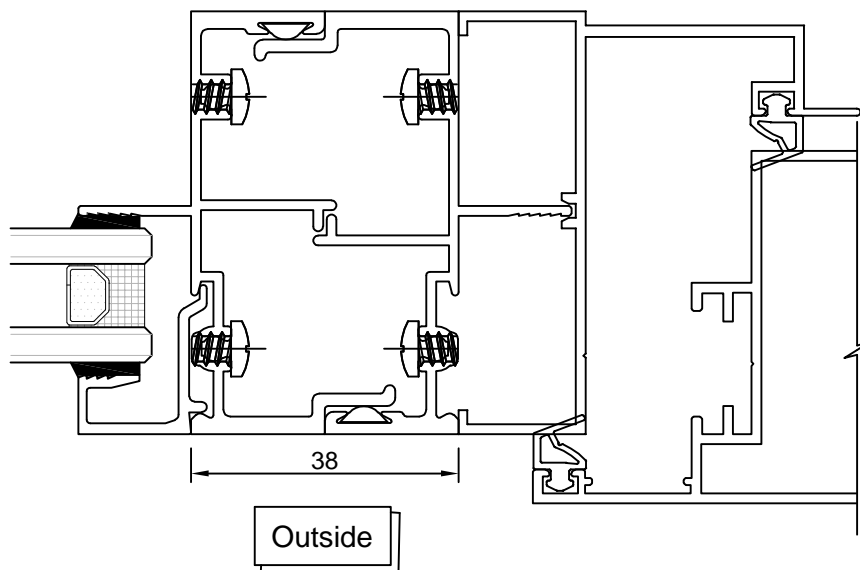
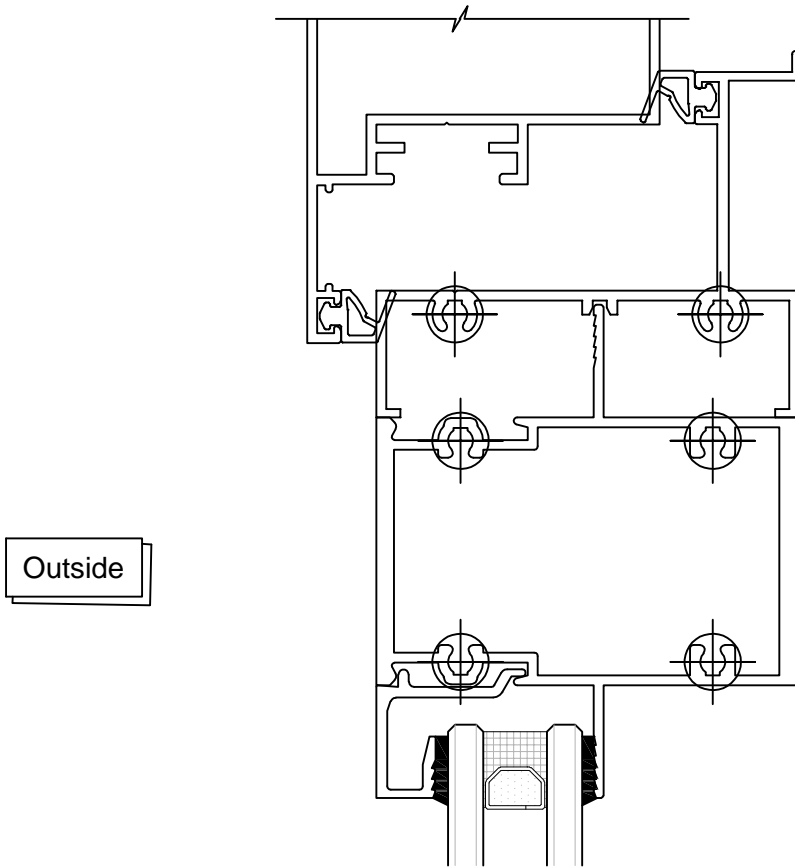
BUY WINDOWS  
COPYRIGHT - THIS DRAWING CONTAINS BUY WINDOWS  
PRIVILEGED INFORMATION AND IS THE  
SUBJECT OF COPYRIGHT AND THE  
DRAWING OR ANY PER THEREOF MAY  
NOT BE REPRODUCED, COPIED OR LOANED IN ANY FORM WITHOUT THE PERMISSION OF BUY WINDOWS

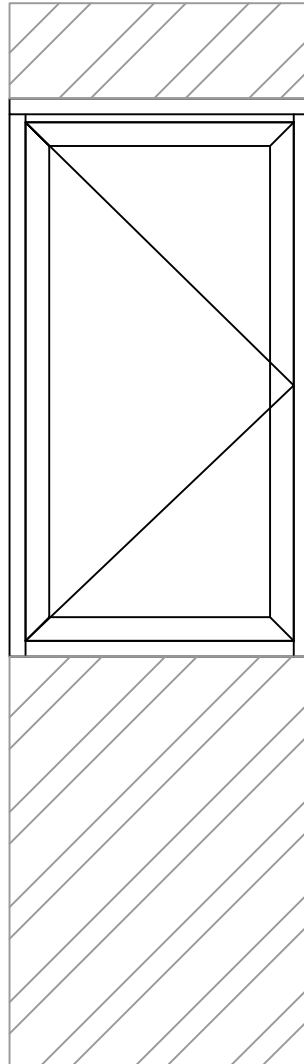
03/12/2019 V5





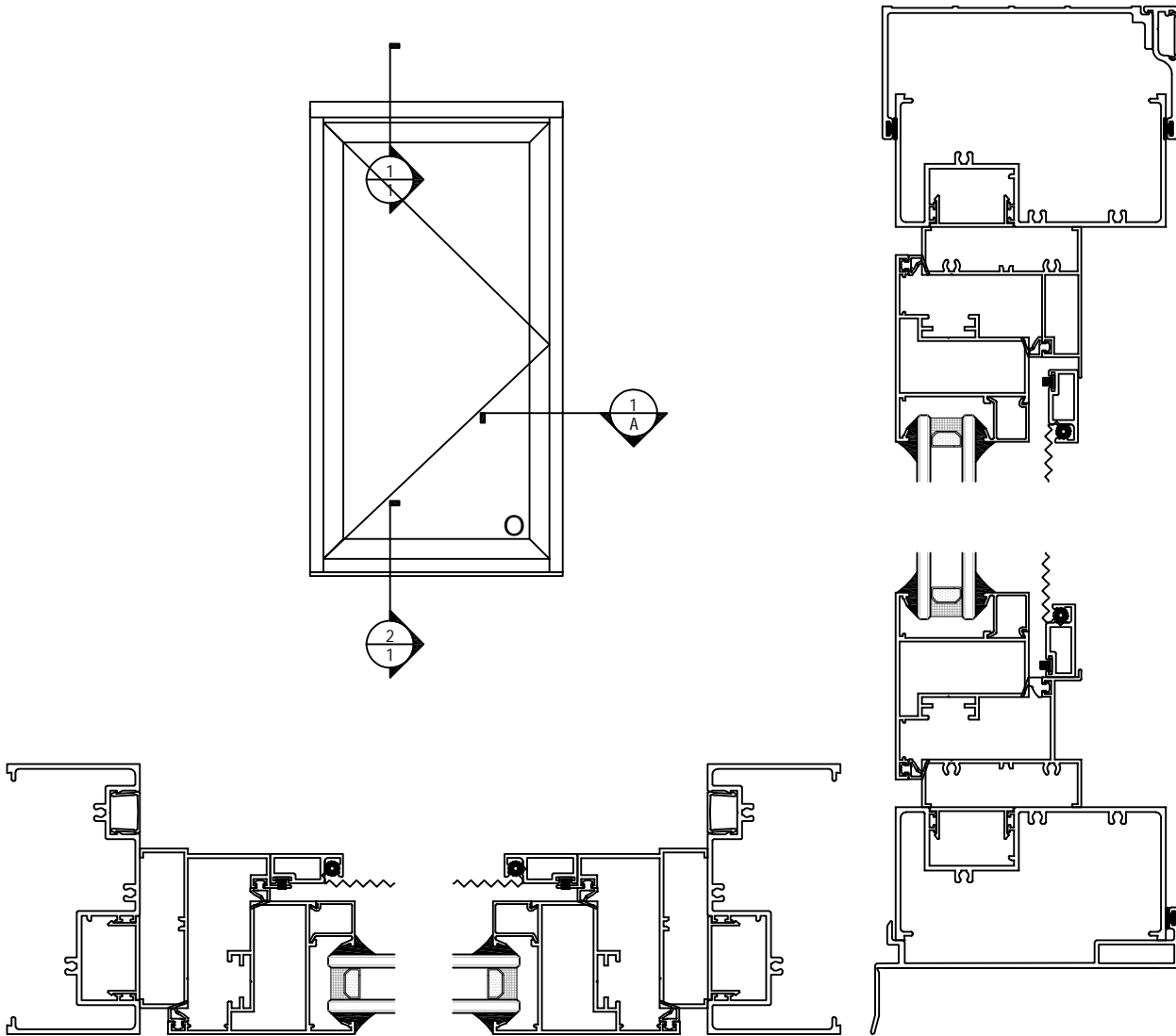
Sash and fixed connection







Product Brief Introduction



**COMPATIBLE WITH**

- C101 Series Fix Window.
- T101 Series Sliding Door.
- H35 Series Hinged Door.
- H45 Series Hinged Door.

**Features & Benefits**

- 101.6mm X 50mm Frame.
- Architectural Applications.
- Supports Single Glazing.
- Compatible Door And Window.

**GLAZING DETAILS**

- 10.78Lam
- 5Clr;5Obs
- 6Clr;6Obs
- 5Clr/12Ar/ 5Clr
- 5Obs /12Ar/ 5Clr
- 5Low-E/12Ar/ 5Clr
- 6Clr/12Ar/ 6Clr
- 6Obs /12Ar/ 6Clr
- 6Low-E/12Ar/ 6Clr

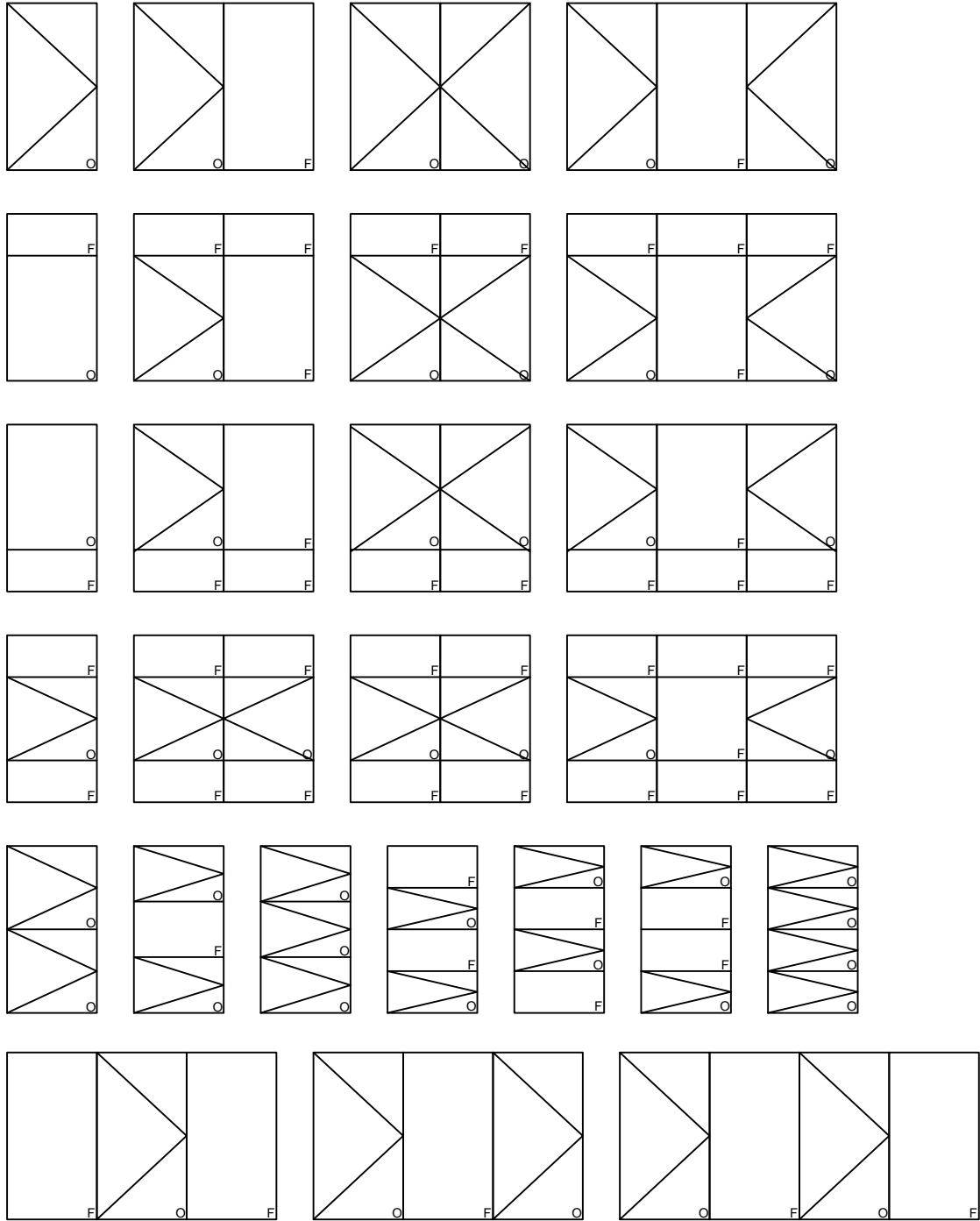
BUY WINDOWS  
 COPYRIGHT - THIS DRAWING CONTAINS BUY WINDOWS  
 PRIVILEGED INFORMATION AND IS THE  
 SUBJECT OF COPYRIGHT AND THE  
 DRAWING OR ANY PER THEREOF MAY

NOT BE REPRODUCED, COPIED OR LOANED IN ANY FORM WITHOUT THE PERMISSION OF BUY WINDOWS

03/12/2019 V5



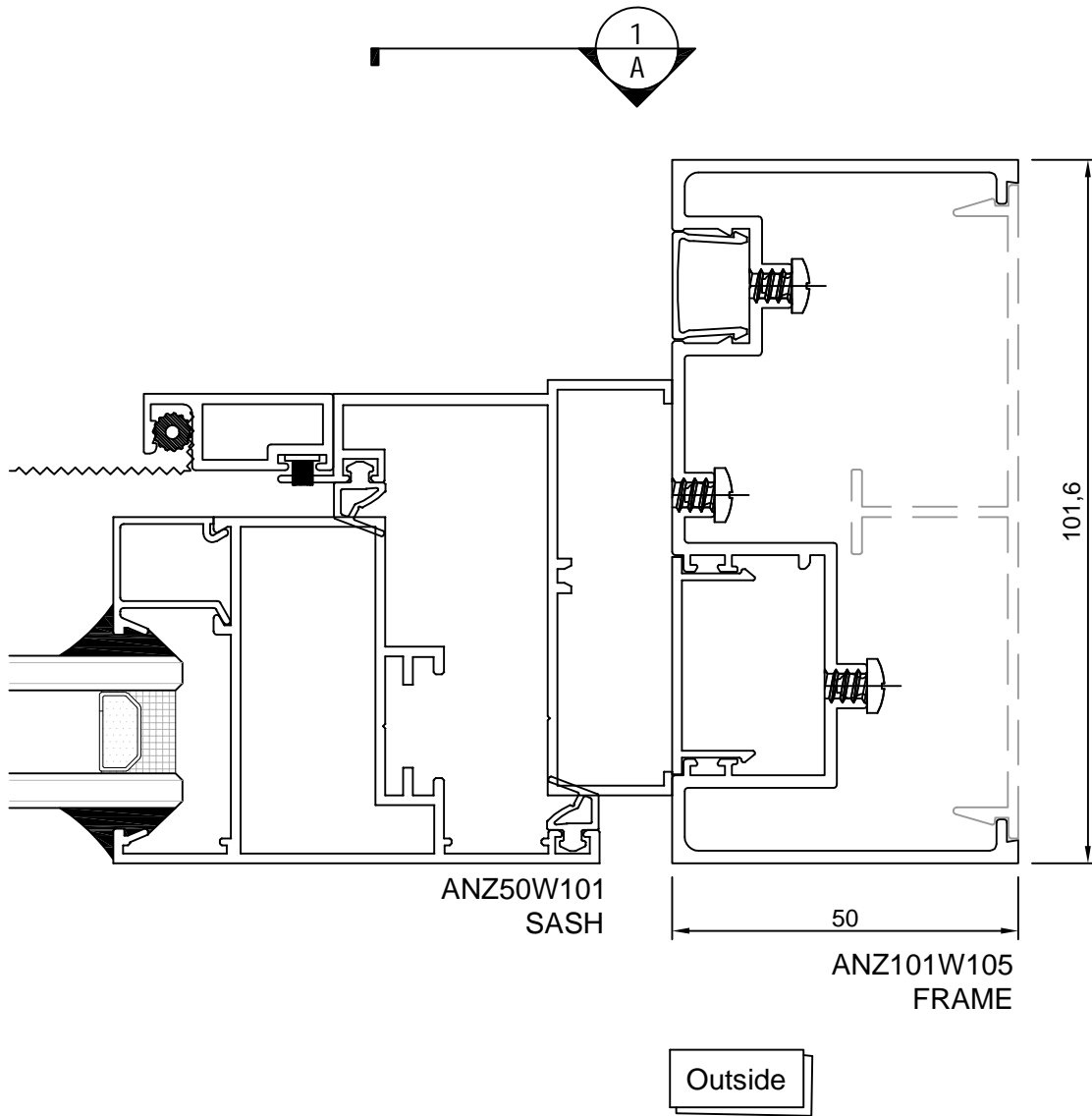
Product form



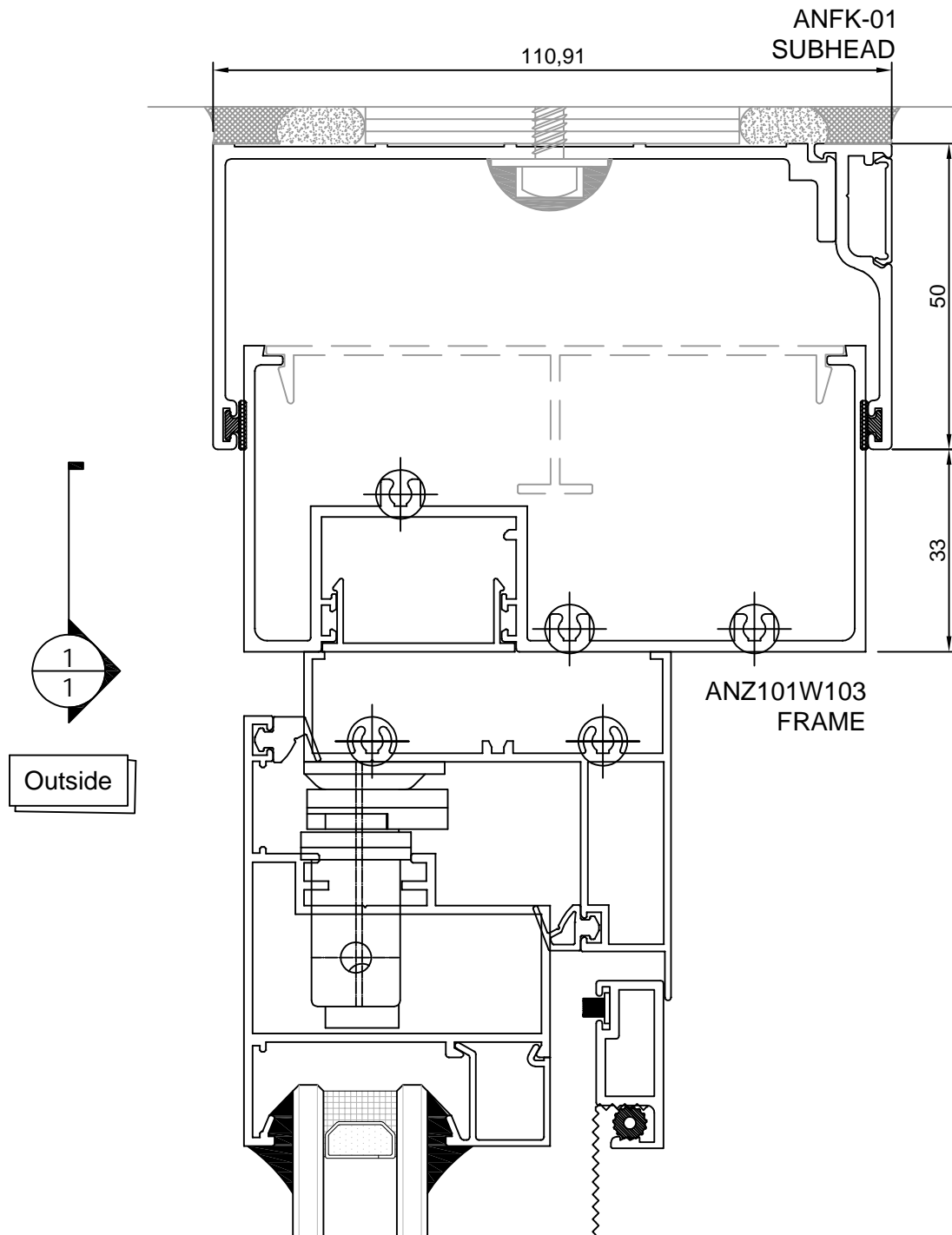




Product Detail



Product Detail

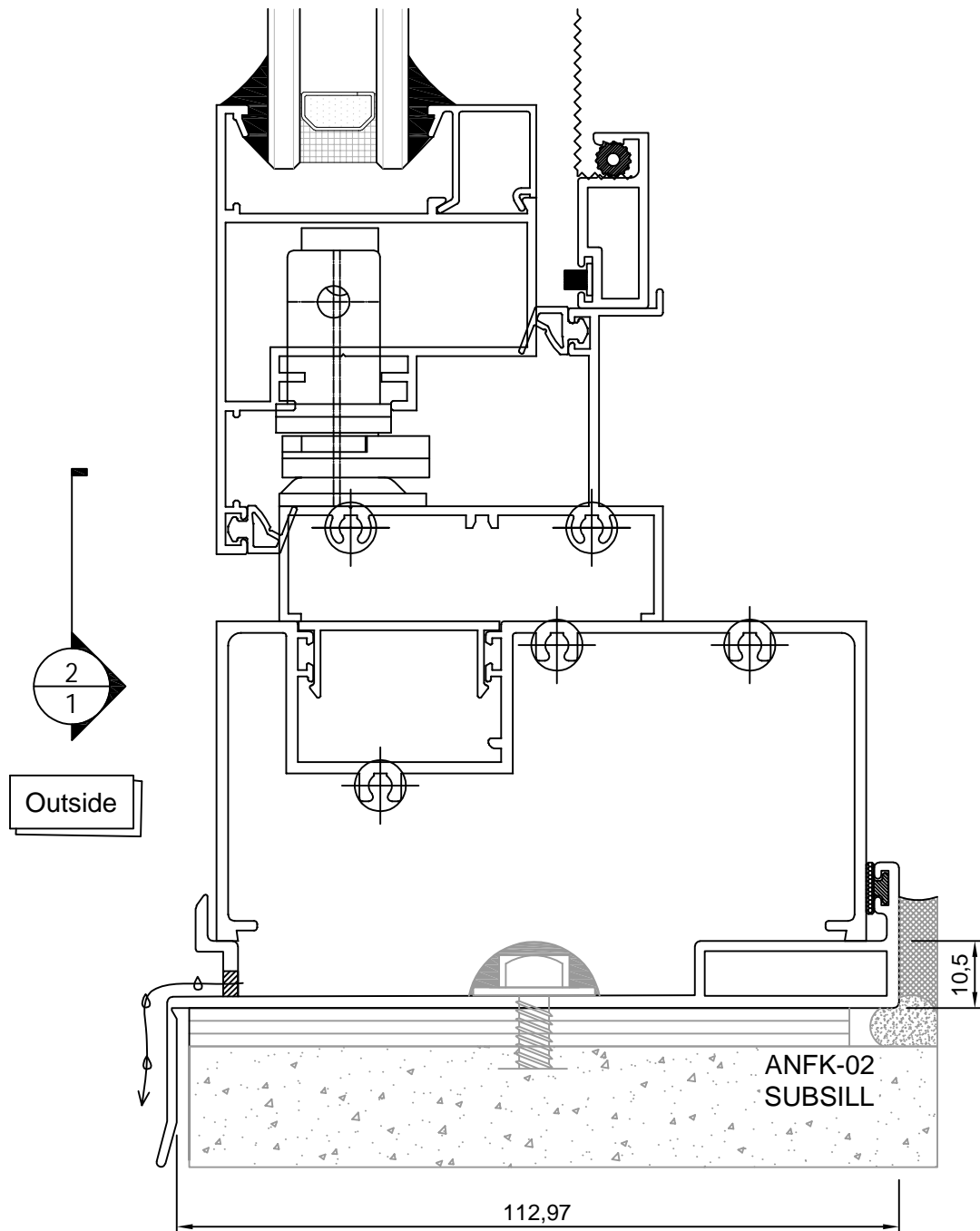


# C101 Commercial Series Casement Window

## Product Detail



BuyWindows

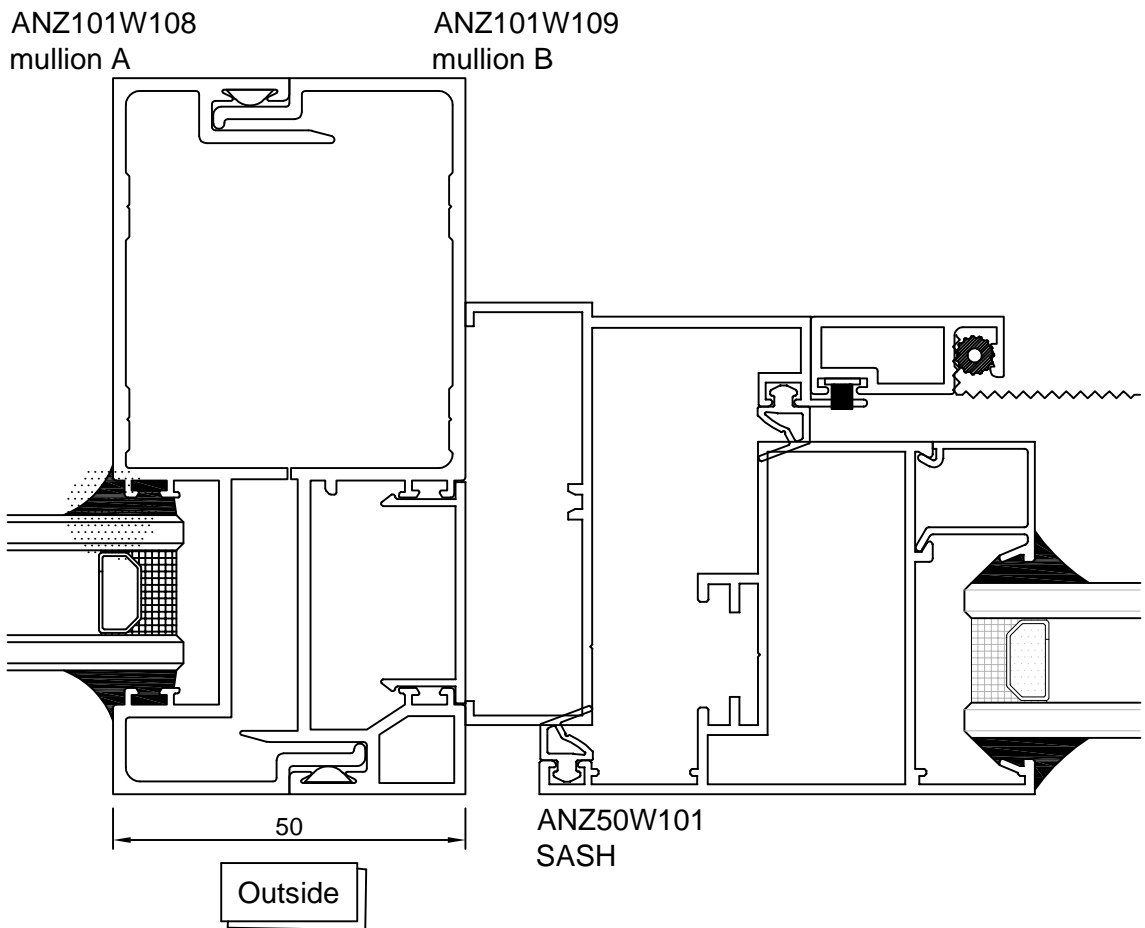


BUY WINDOWS  
COPYRIGHT - THIS DRAWING CONTAINS BUY WINDOWS  
PRIVILEGED INFORMATION AND IS THE  
SUBJECT OF COPYRIGHT AND THE  
DRAWING OR ANY PER THEREOF MAY  
NOT BE REPRODUCED, COPIED OR LOANED IN ANY FORM WITHOUT THE PERMISSION OF BUY WINDOWS

03/12/2019 V5

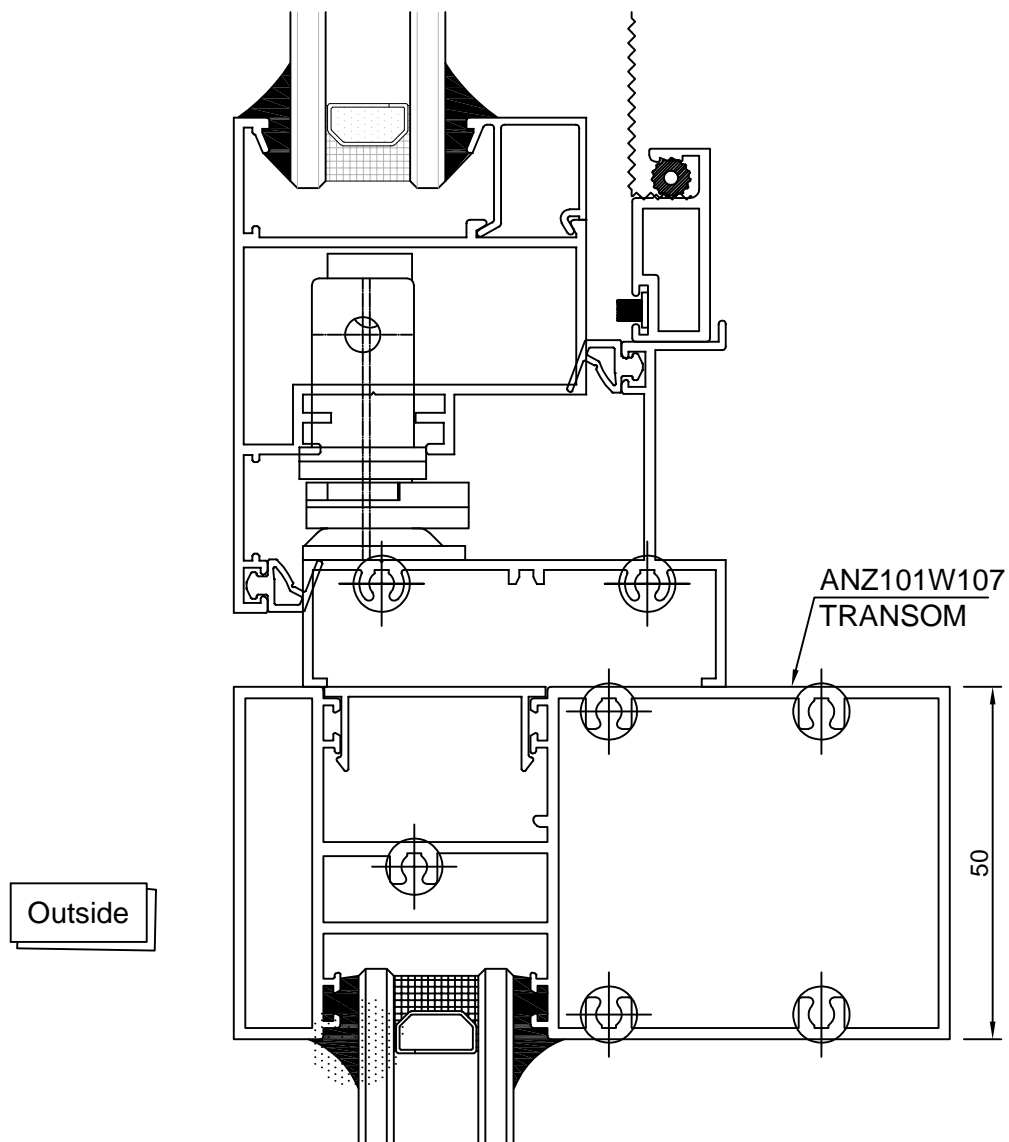
Product Detail

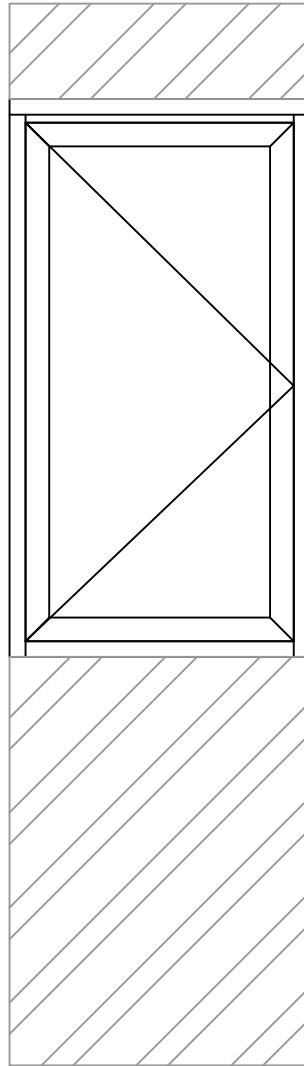
Sash and fixed connection





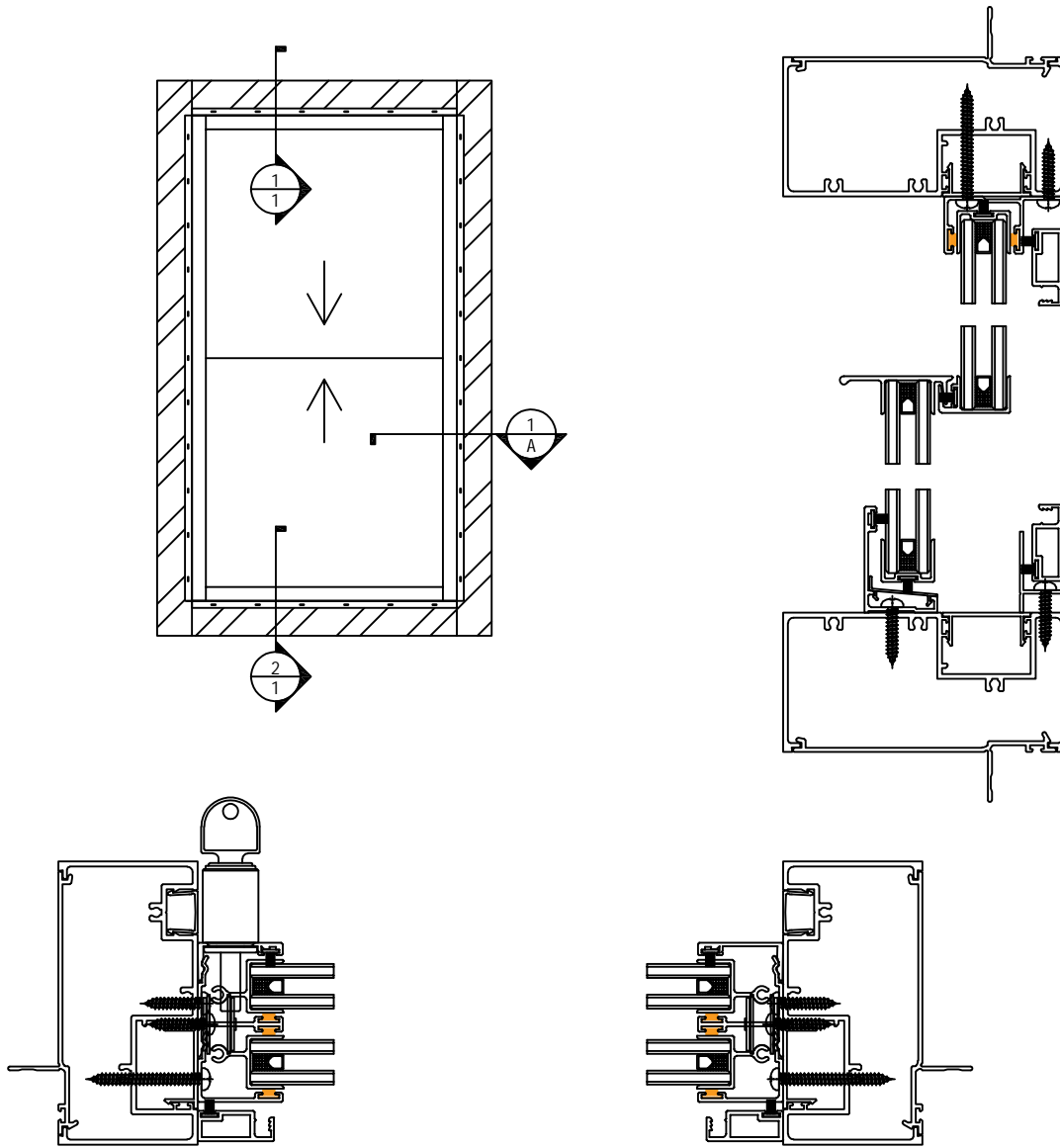
Sash and fixed connection







Product Brief Introduction



**COMPATIBLE WITH**

- C101 Series Fix Window.
- T101 Series Sliding Door.
- H35 Series Hinged Door.
- H45 Series Hinged Door.

**GLAZING DETAILS**

- 5Clr/6Ar/5Clr
- 5Obs/6Ar/5Clr

**Features & Benefits**

- 101.6mm X 50mm Frame.
- Architectural Applications.
- Supports Single Glazing.
- Compatible Door And Window.

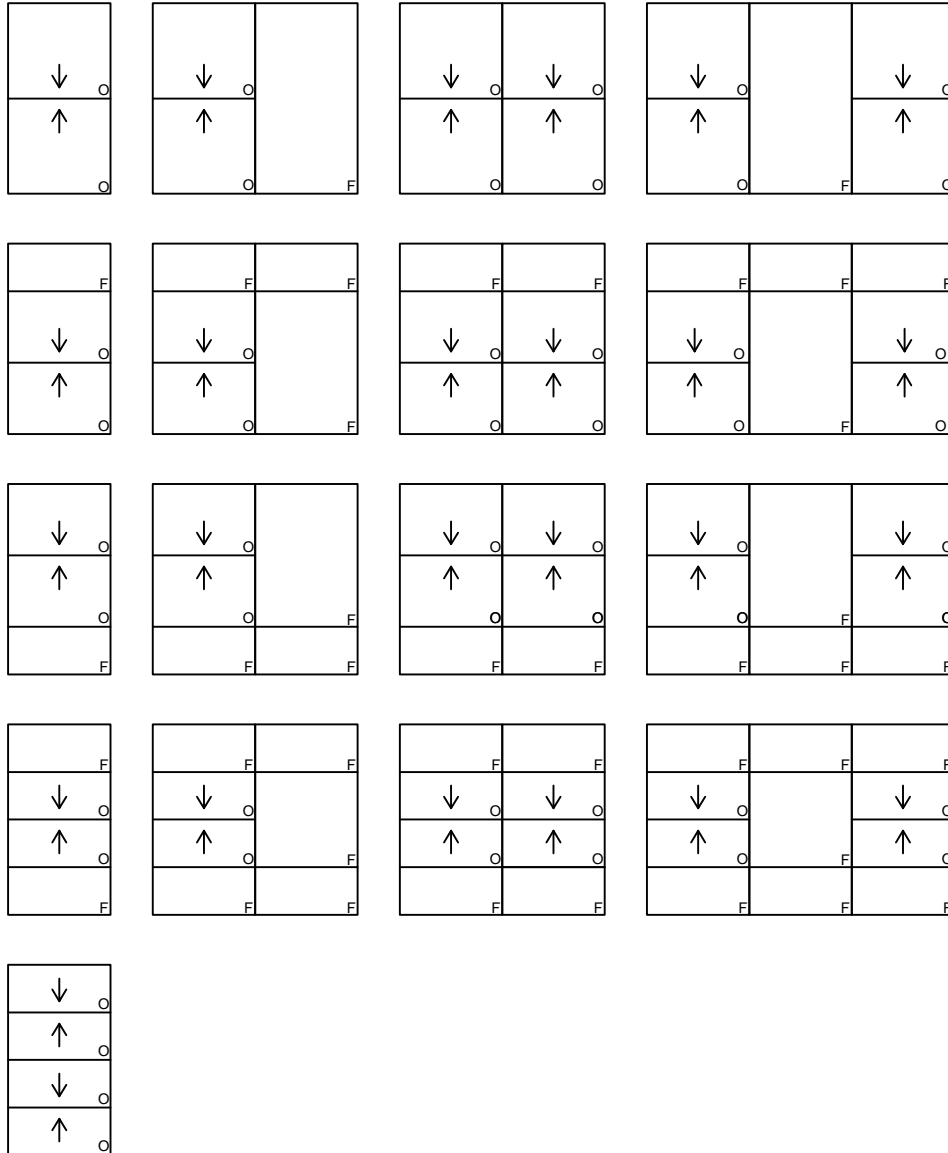
BUY WINDOWS  
COPYRIGHT - THIS DRAWING CONTAINS BUY WINDOWS  
PRIVILEGED INFORMATION AND IS THE  
SUBJECT OF COPYRIGHT AND THE  
DRAWING OR ANY PER THEREOF MAY  
NOT BE REPRODUCED, COPIED OR LOANED IN ANY FORM WITHOUT THE PERMISSION OF BUY WINDOWS

# C101 Residential Series Sashless Window



BuyWindows

## Product form



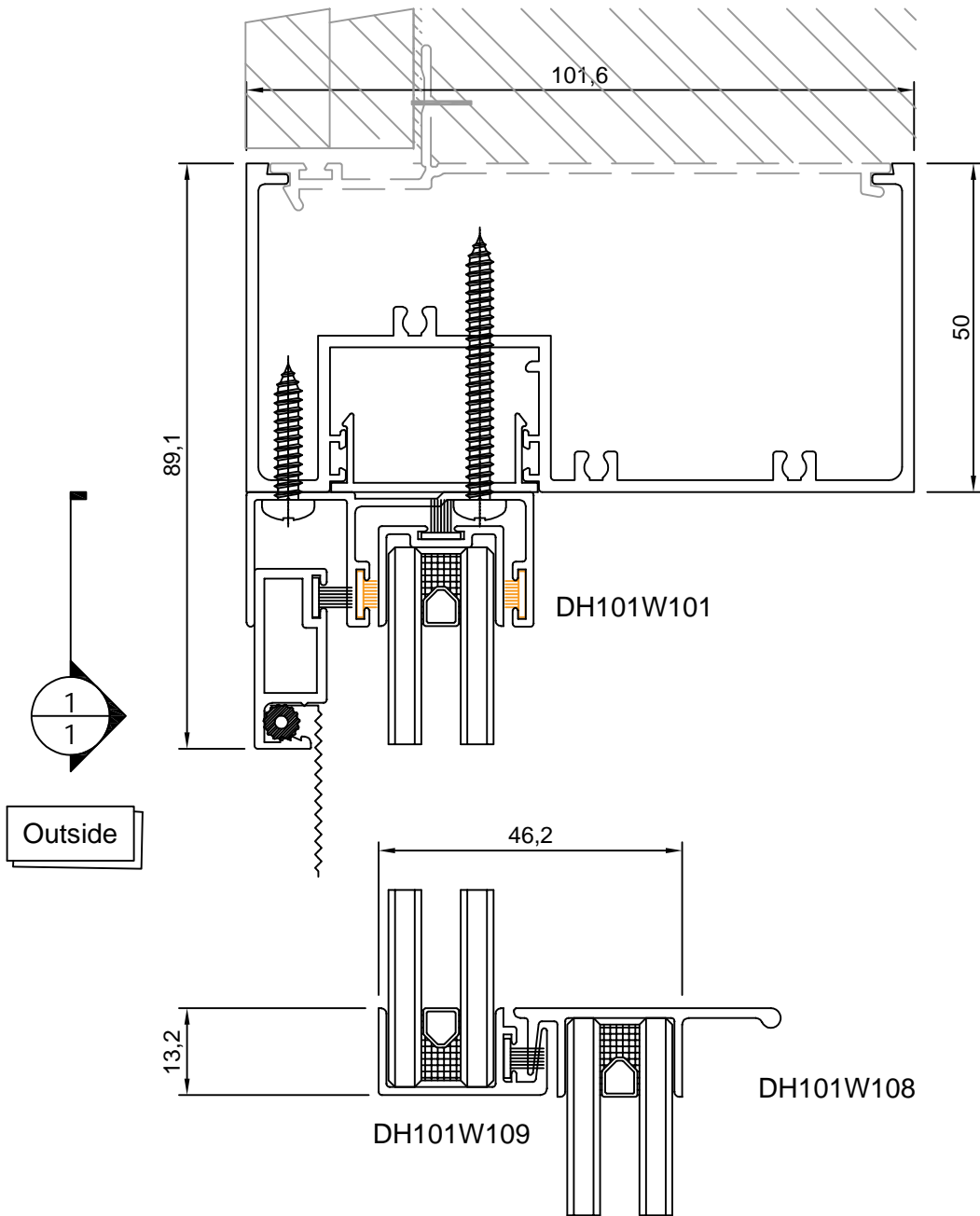
BUY WINDOWS  
 COPYRIGHT - THIS DRAWING CONTAINS BUY WINDOWS  
 PRIVILEGED INFORMATION AND IS THE  
 SUBJECT OF COPYRIGHT AND THE  
 DRAWING OR ANY PER THEREOF MAY  
 NOT BE REPRODUCED, COPIED OR LOANED IN ANY FORM WITHOUT THE PERMISSION OF BUY WINDOWS

03/12/2019 V5



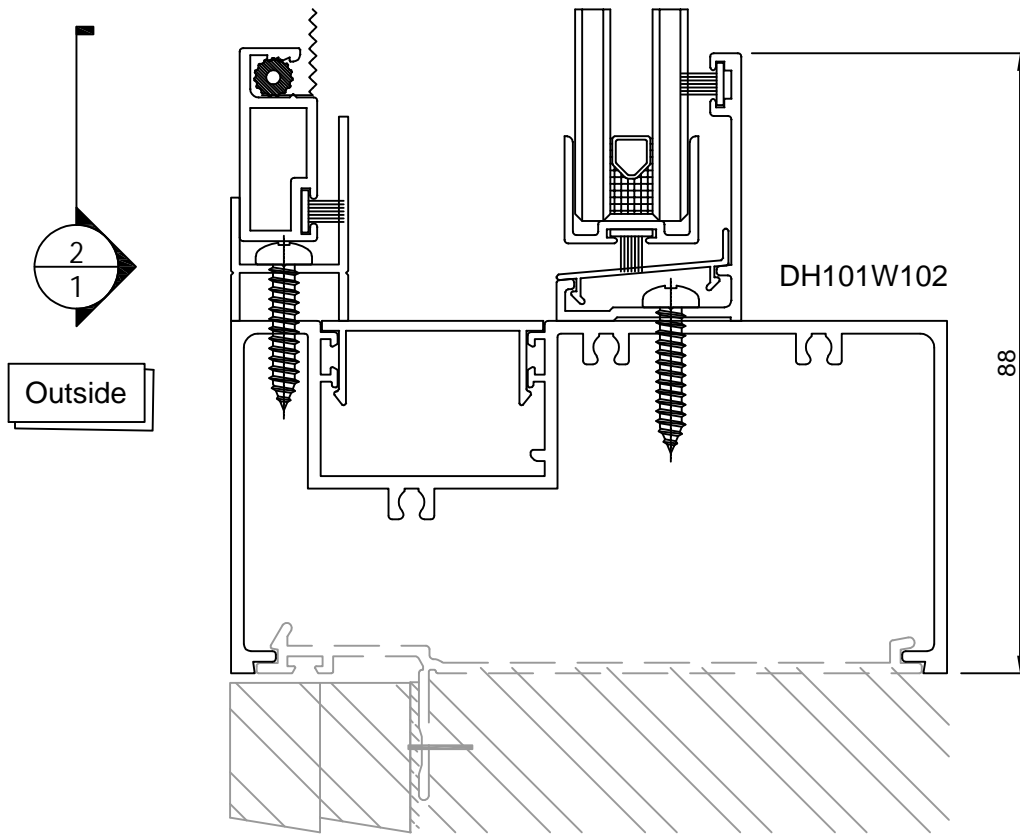


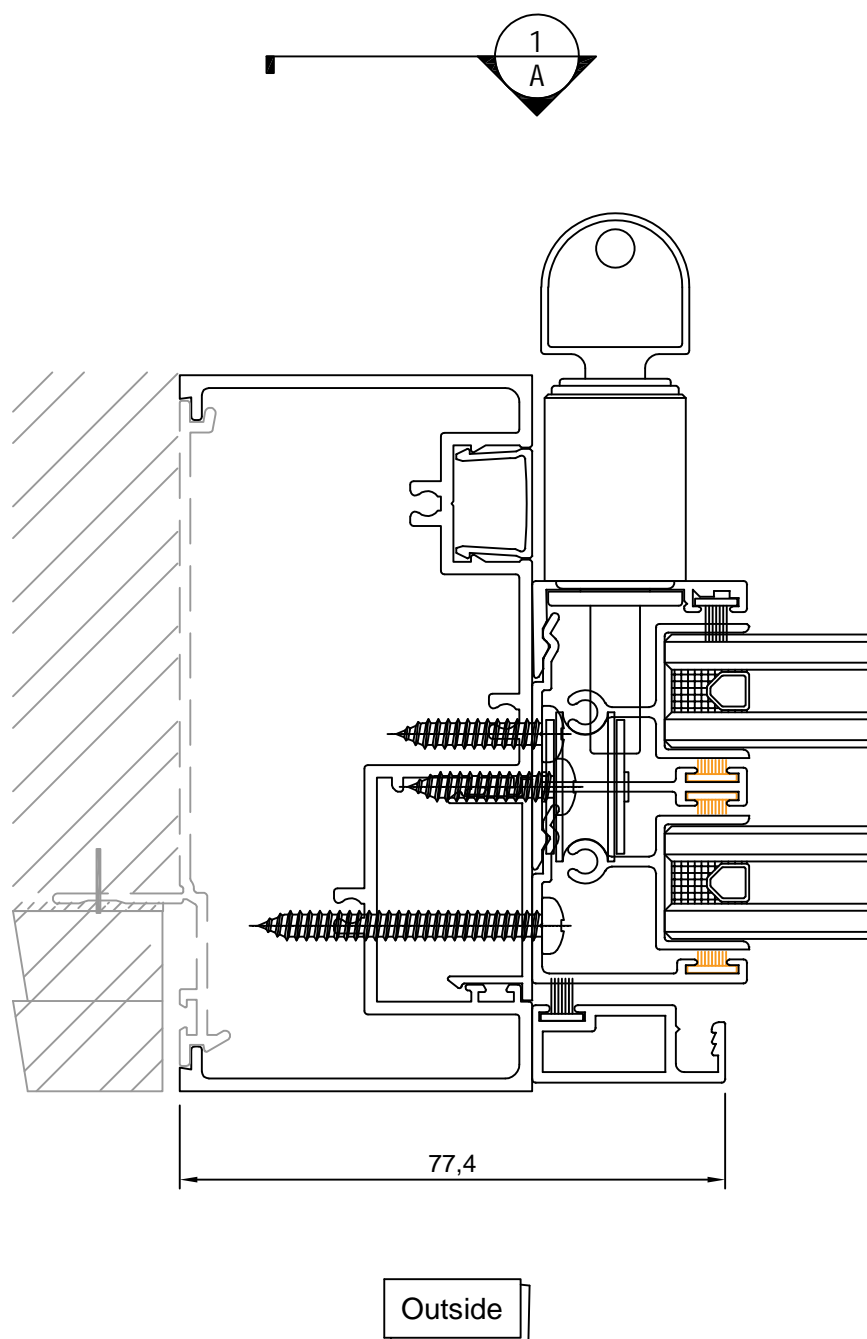
Product Detail

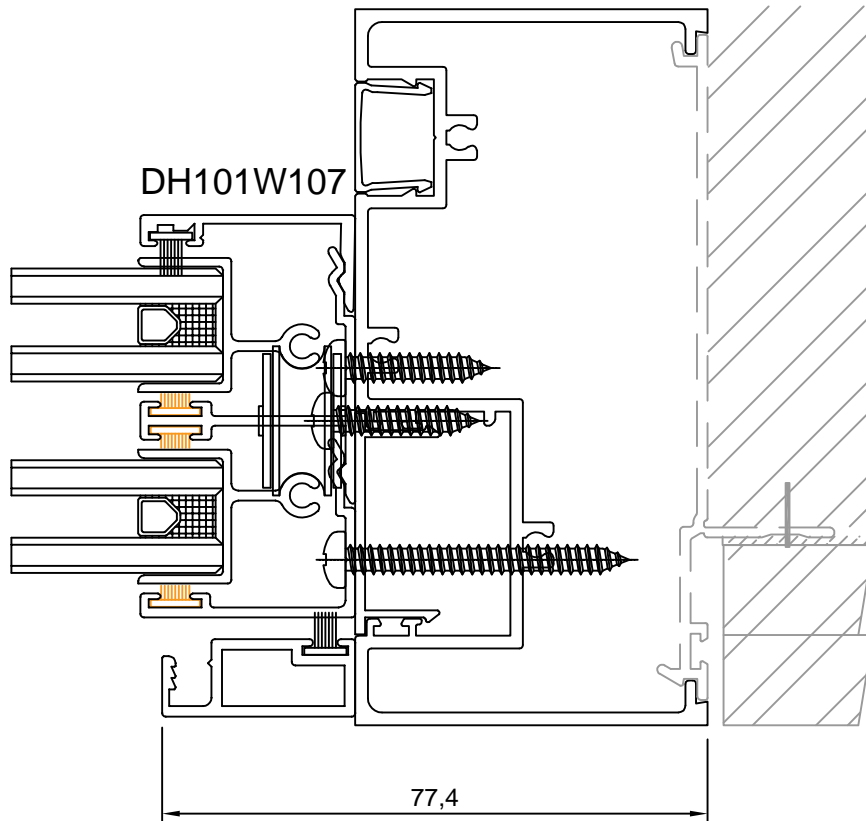




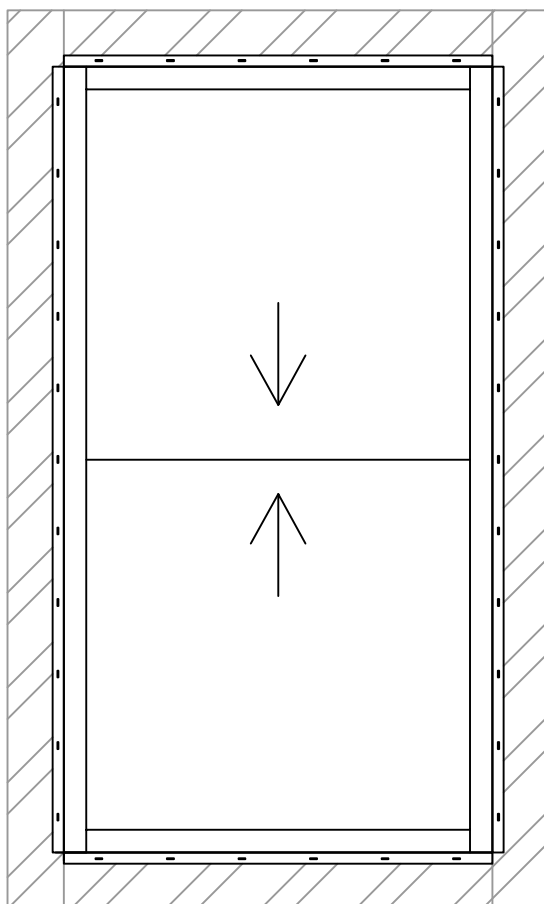
Product Detail





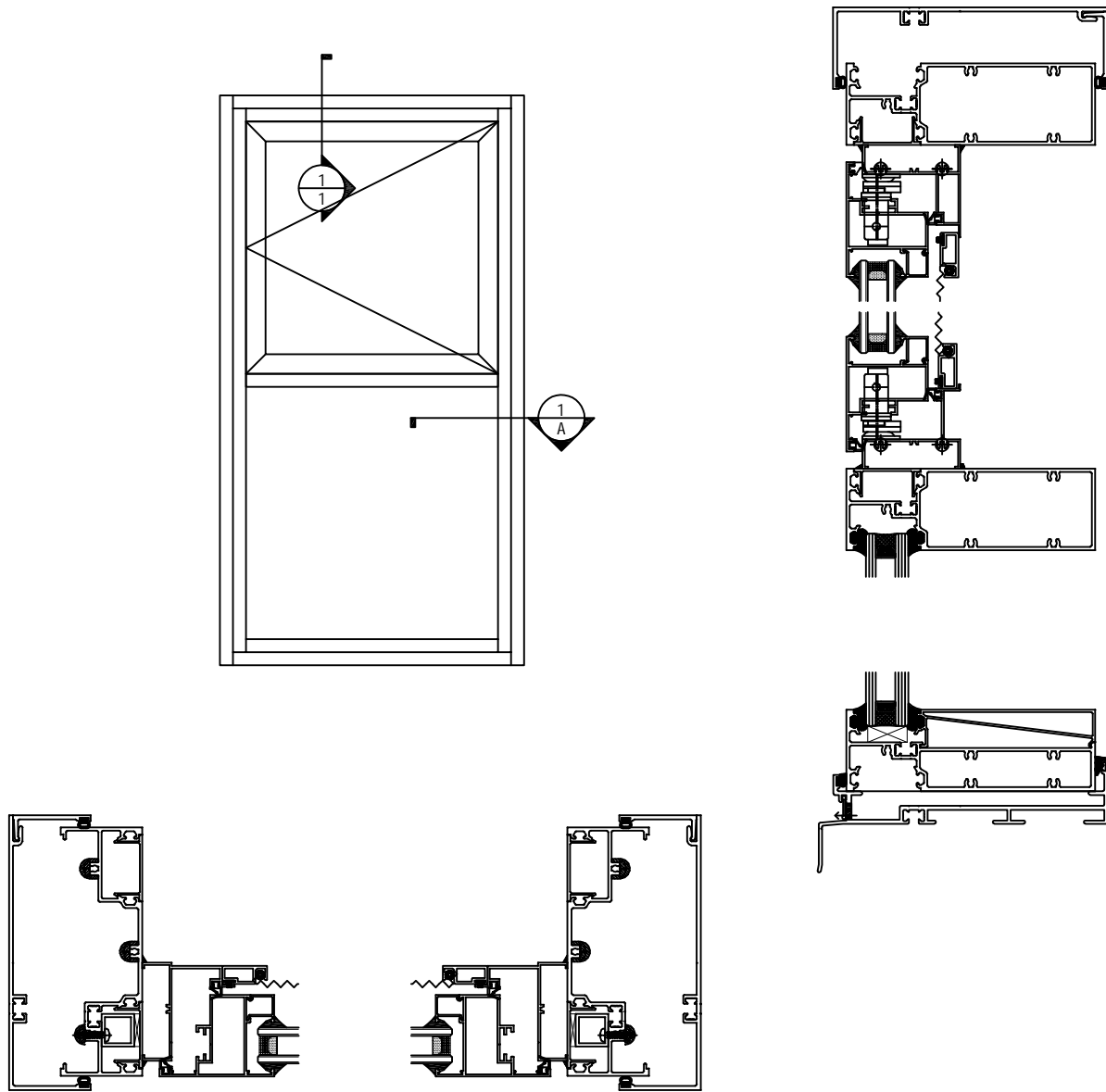


Outside





Product Brief Introduction



**COMPATIBLE WITH**

- C150 Thermal Broken Fix Window.
- T150 Series Sliding Door.

**Features & Benefits**

- 152.4mm X 50mm Frame.
- Architectural Applications.
- Supports Single Glazing.
- Compatible Door And Window.

**GLAZING DETAILS**

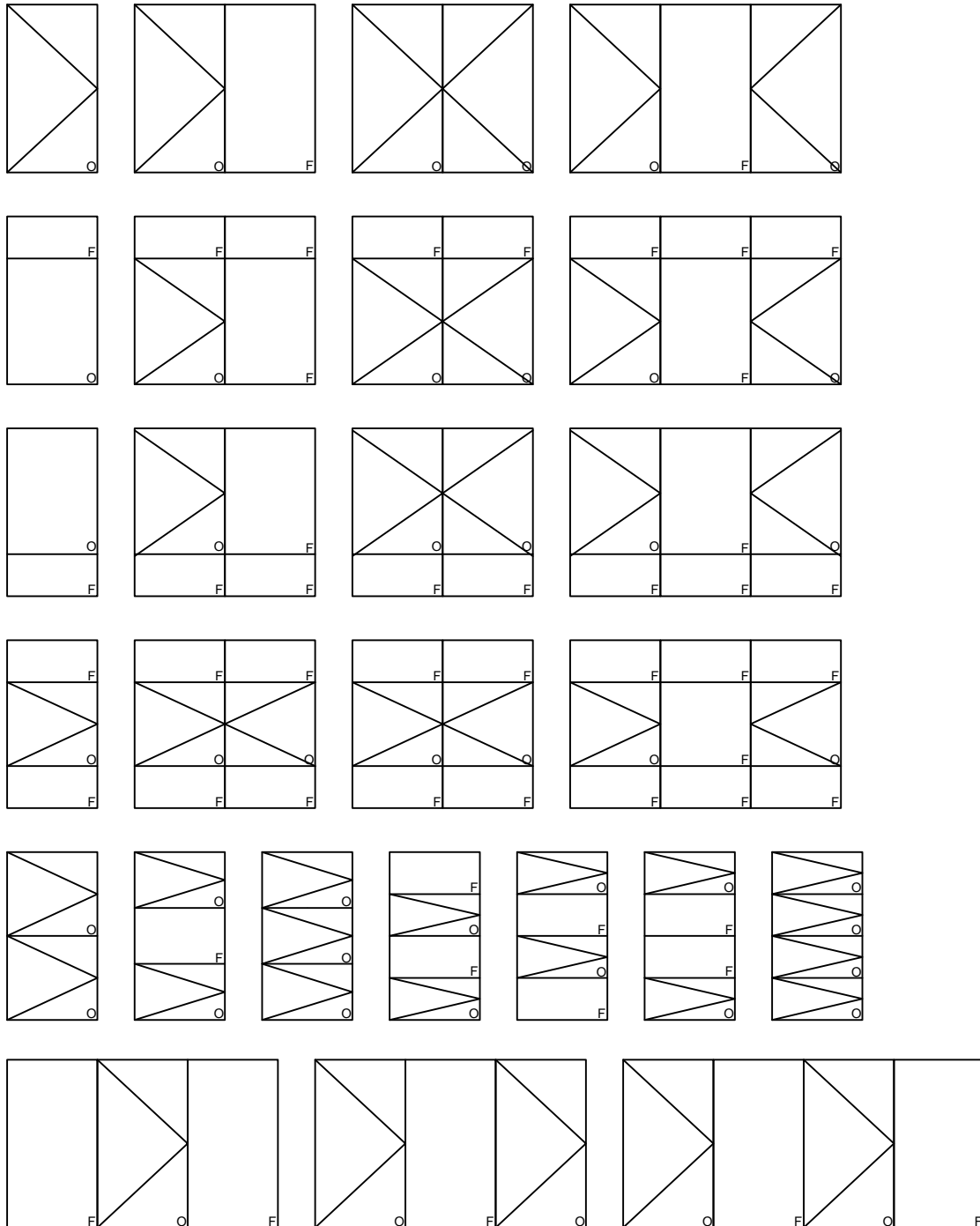
- 10.78Lam
- 5Clr;5Obs
- 6Clr;6Obs
- 5Clr/12Ar/ 5Clr
- 5Obs /12Ar/ 5Clr
- 5Low-E/12Ar/ 5Clr
- 6Clr/12Ar/ 6Clr
- 6Obs /12Ar/ 6Clr
- 6Low-E/12Ar/ 6Clr

# C150 Commercial Casement Window&Fix Window



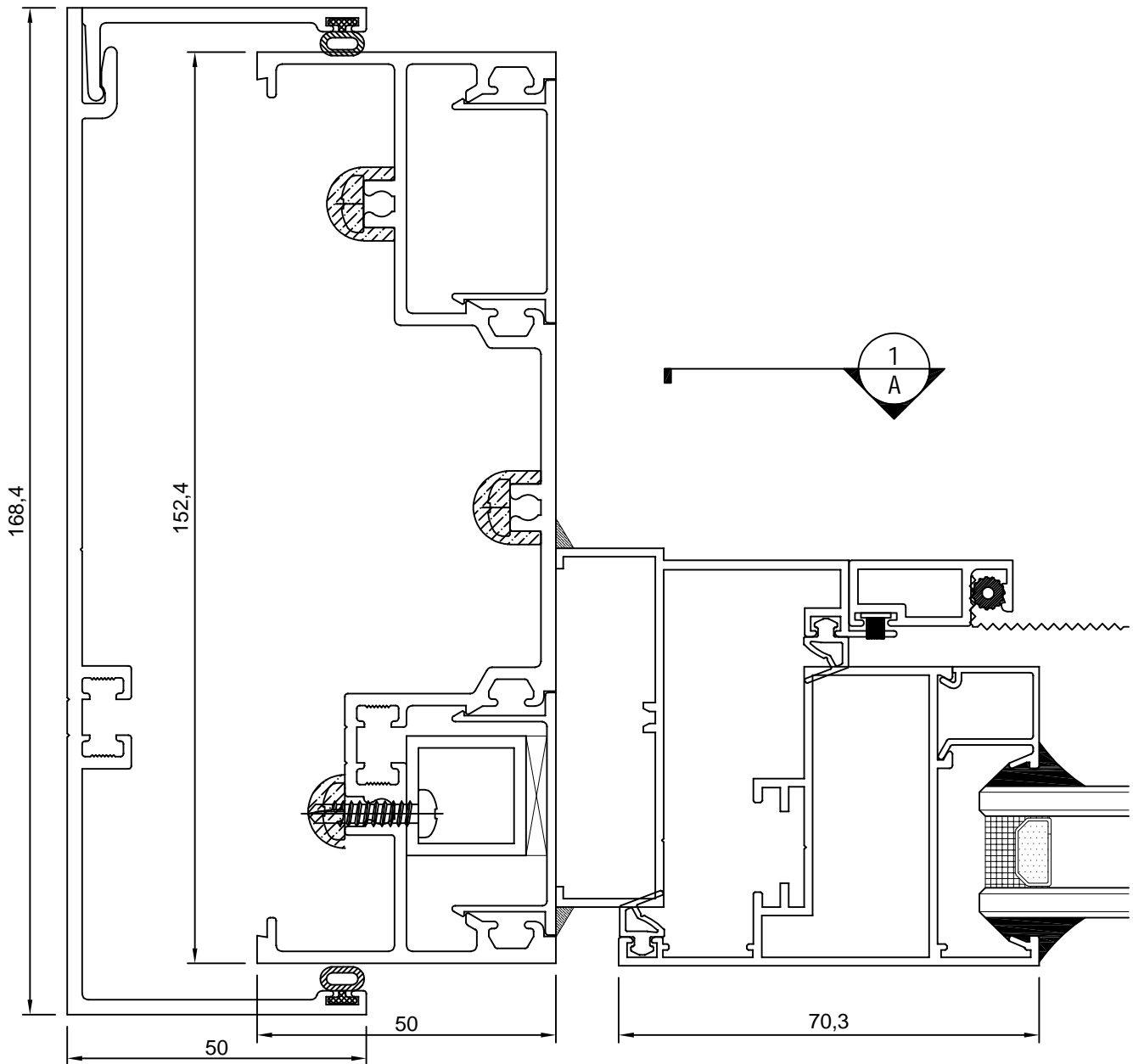
BuyWindows

## Product form





## Product Detail



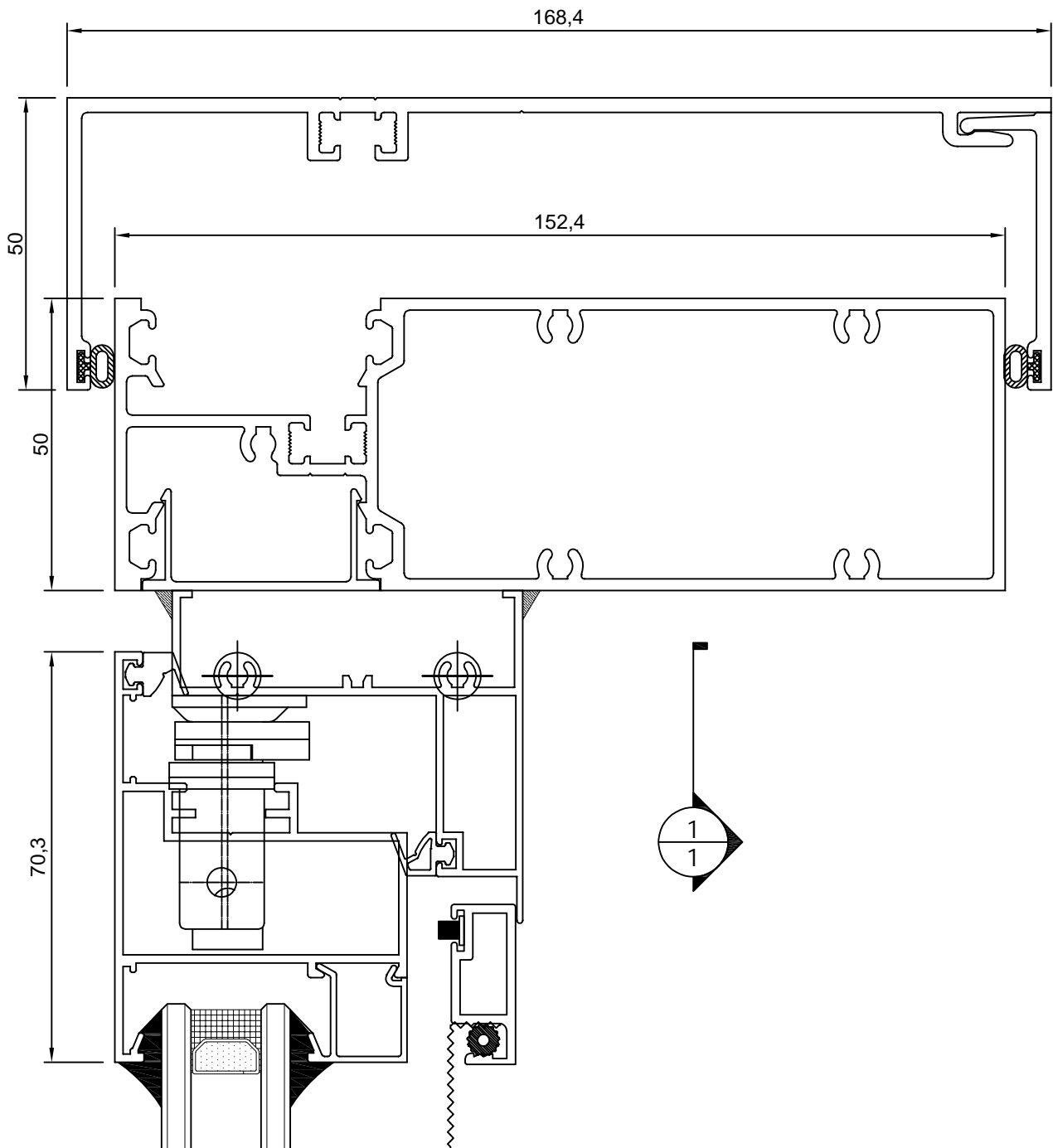


# C150 Commercial Casement Window&Fix Window



BuyWindows

## Product Detail

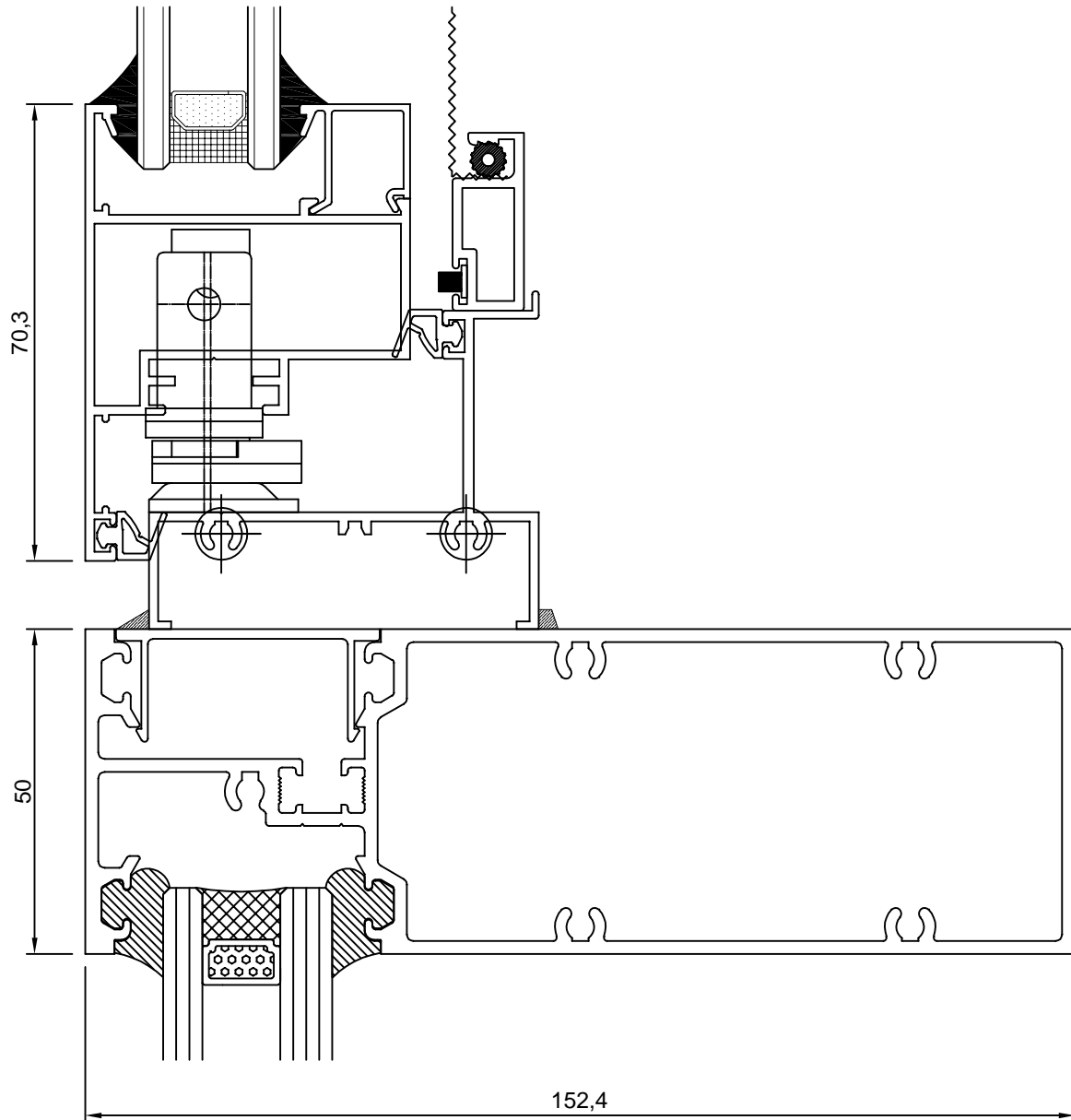


# C150 Commercial Casement Window&Fix Window

## Product Detail



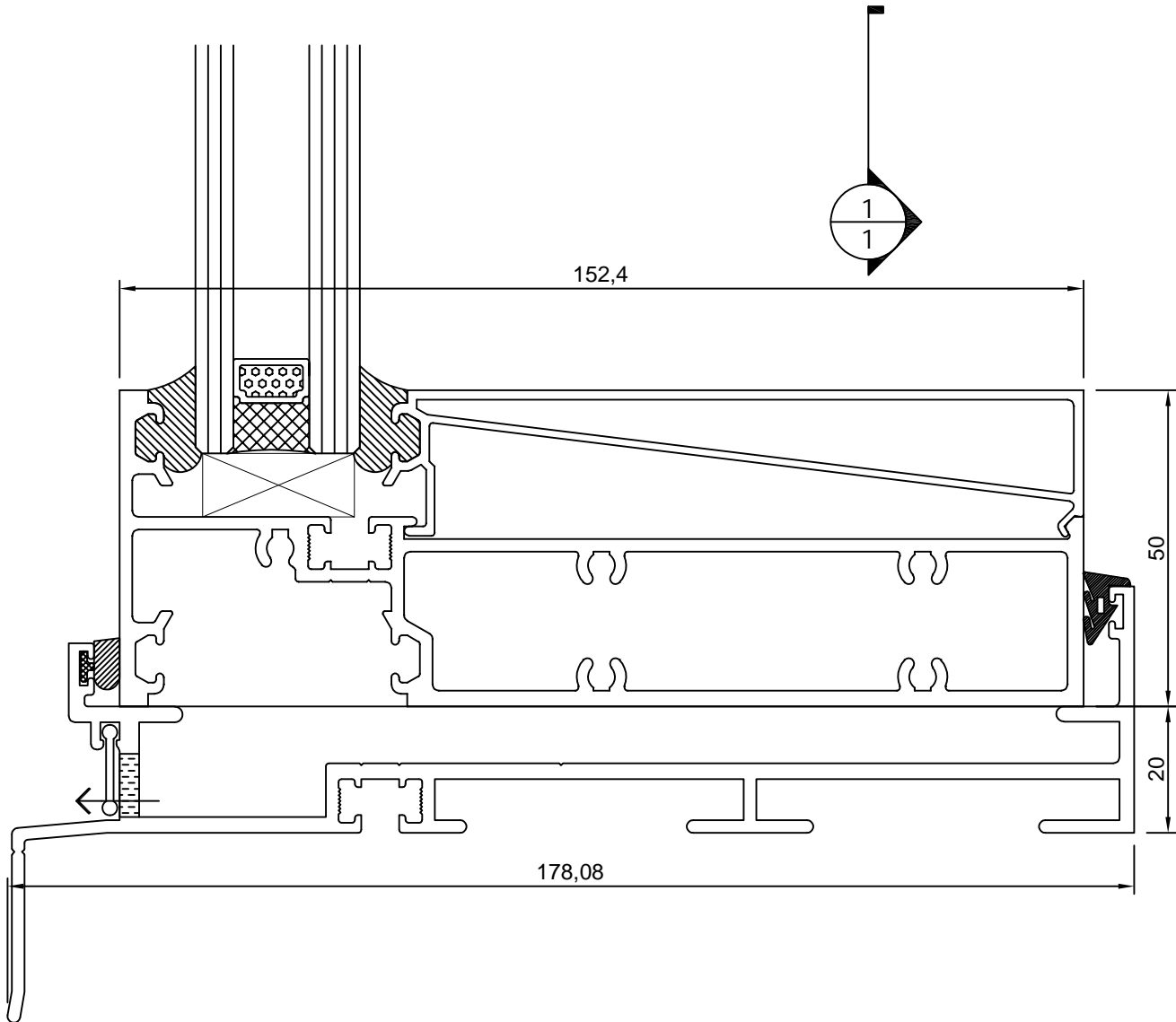
BuyWindows



BUY WINDOWS  
COPYRIGHT - THIS DRAWING CONTAINS BUY WINDOWS  
PRIVILEGED INFORMATION AND IS THE  
SUBJECT OF COPYRIGHT AND THE  
DRAWING OR ANY PER THEREOF MAY  
NOT BE REPRODUCED, COPIED OR LOANED IN ANY FORM WITHOUT THE PERMISSION OF BUY WINDOWS

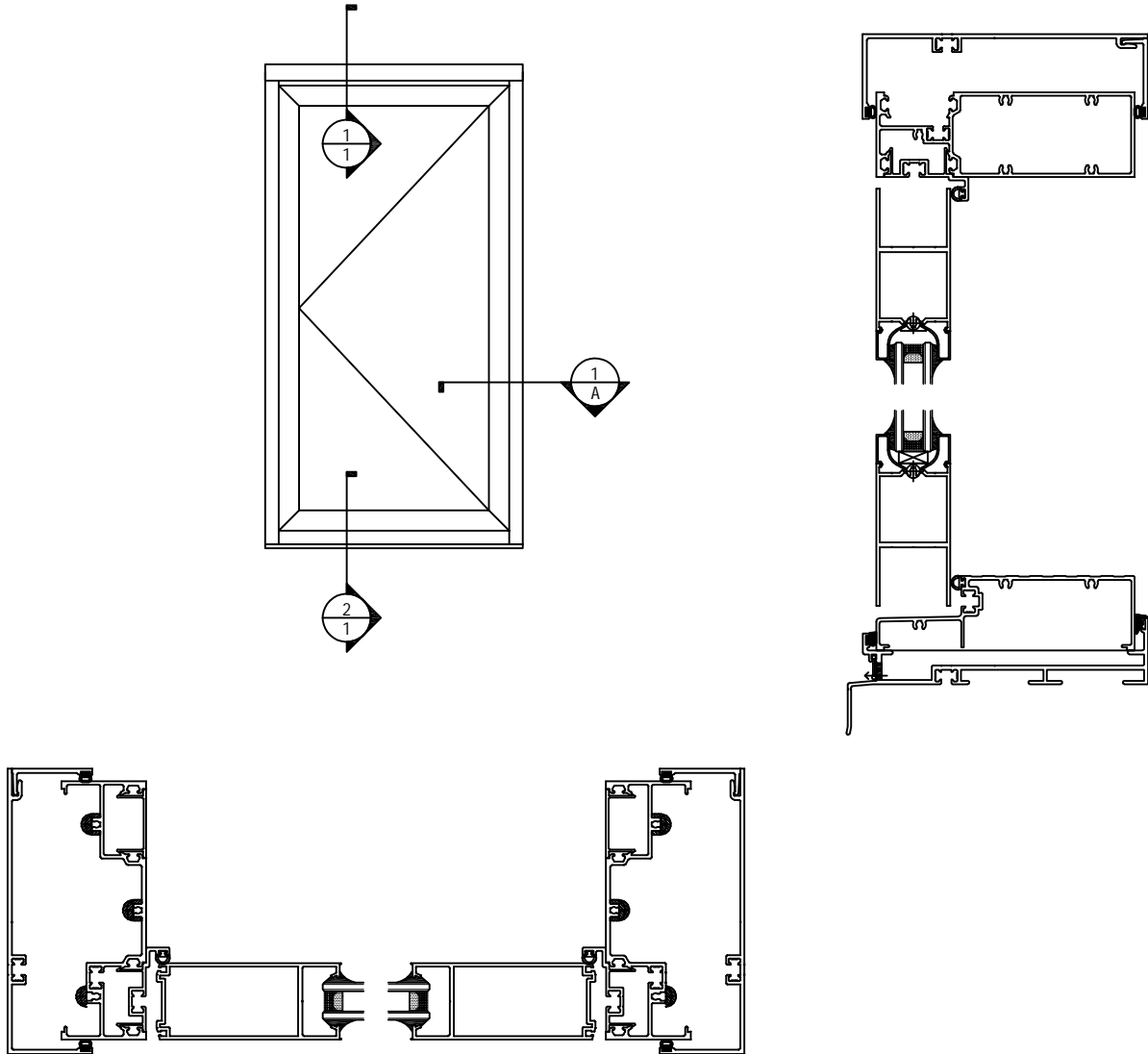
# C150 Commercial Casement Window&Fix Window

## Product Detail





Product Brief Introduction



**COMPATIBLE WITH**

- C150 Thermal Broken Fix Window.
- T150 Series Sliding Door.

**Features & Benefits**

- 152.4mm X 50mm Frame.
- Architectural Applications.
- Supports Single Glazing.
- Compatible Door And Window.

**GLAZING DETAILS**

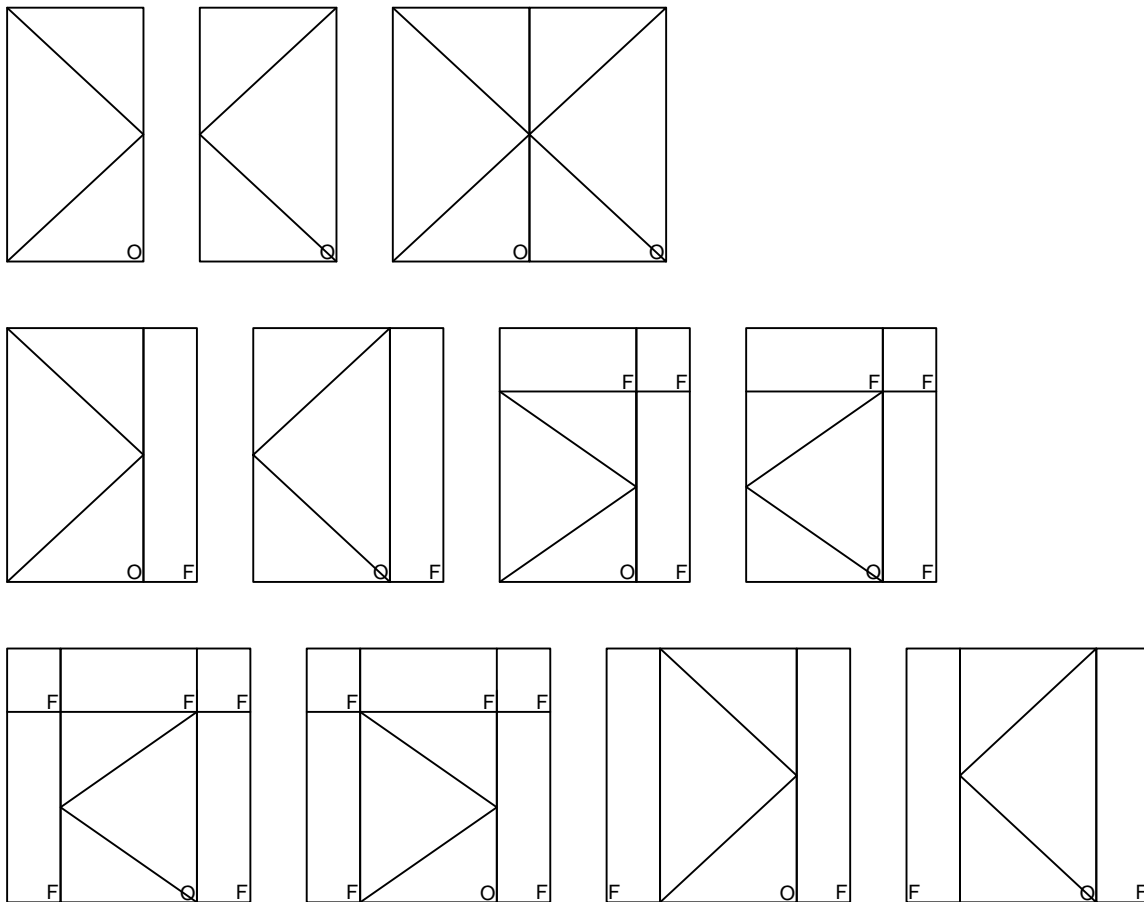
- 10.78Lam
- 5Clr;5Obs
- 6Clr;6Obs
- 5Clr/12Ar/ 5Clr
- 5Obs /12Ar/ 5Clr
- 5Low-E/12Ar/ 5Clr
- 6Clr/12Ar/ 6Clr
- 6Obs /12Ar/ 6Clr
- 6Low-E/12Ar/ 6Clr

# C150 Commercial Series Hinged door



BuyWindows

## Product form

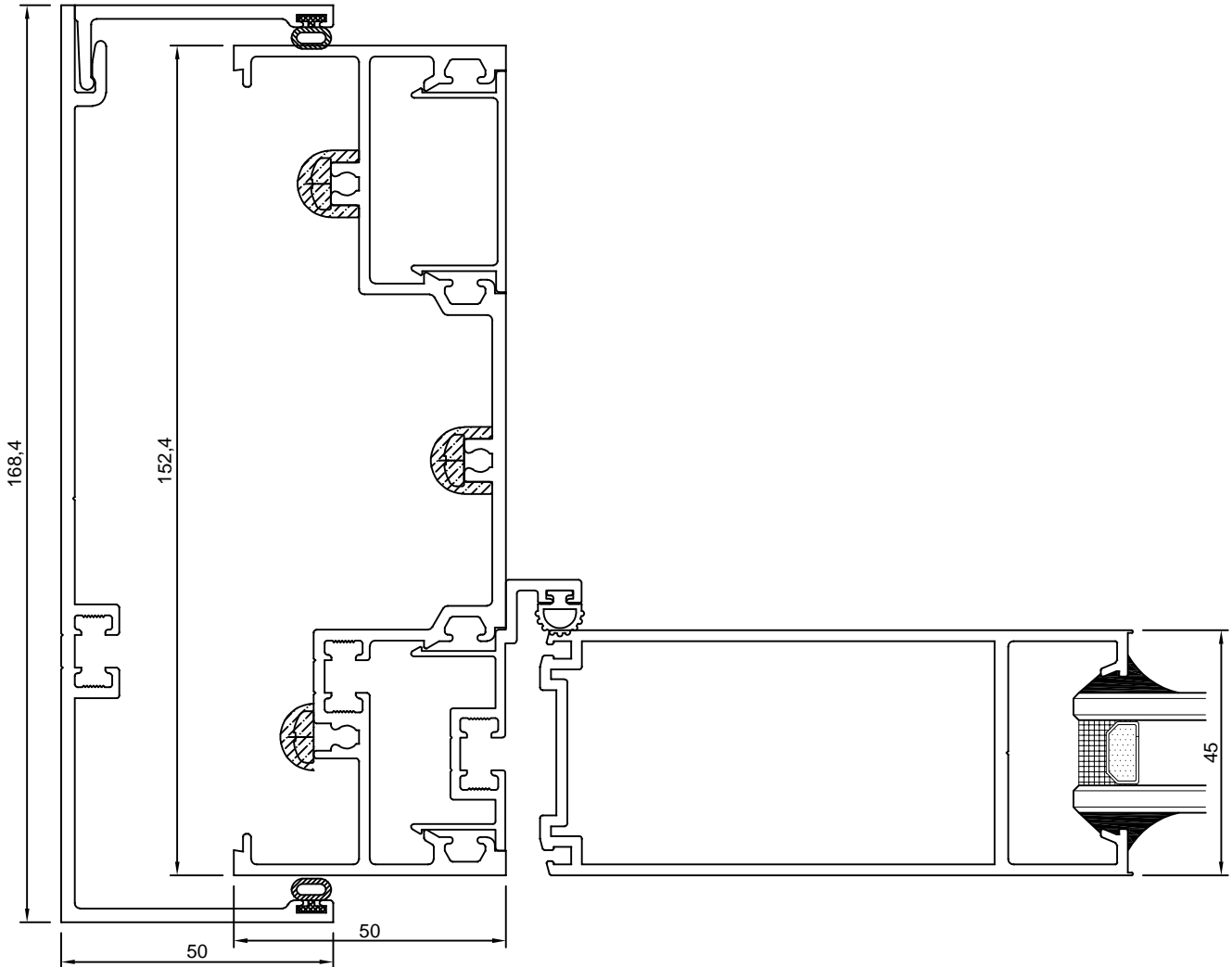


# C150 Commercial Series Hinged door

## Product Detail



BuyWindows

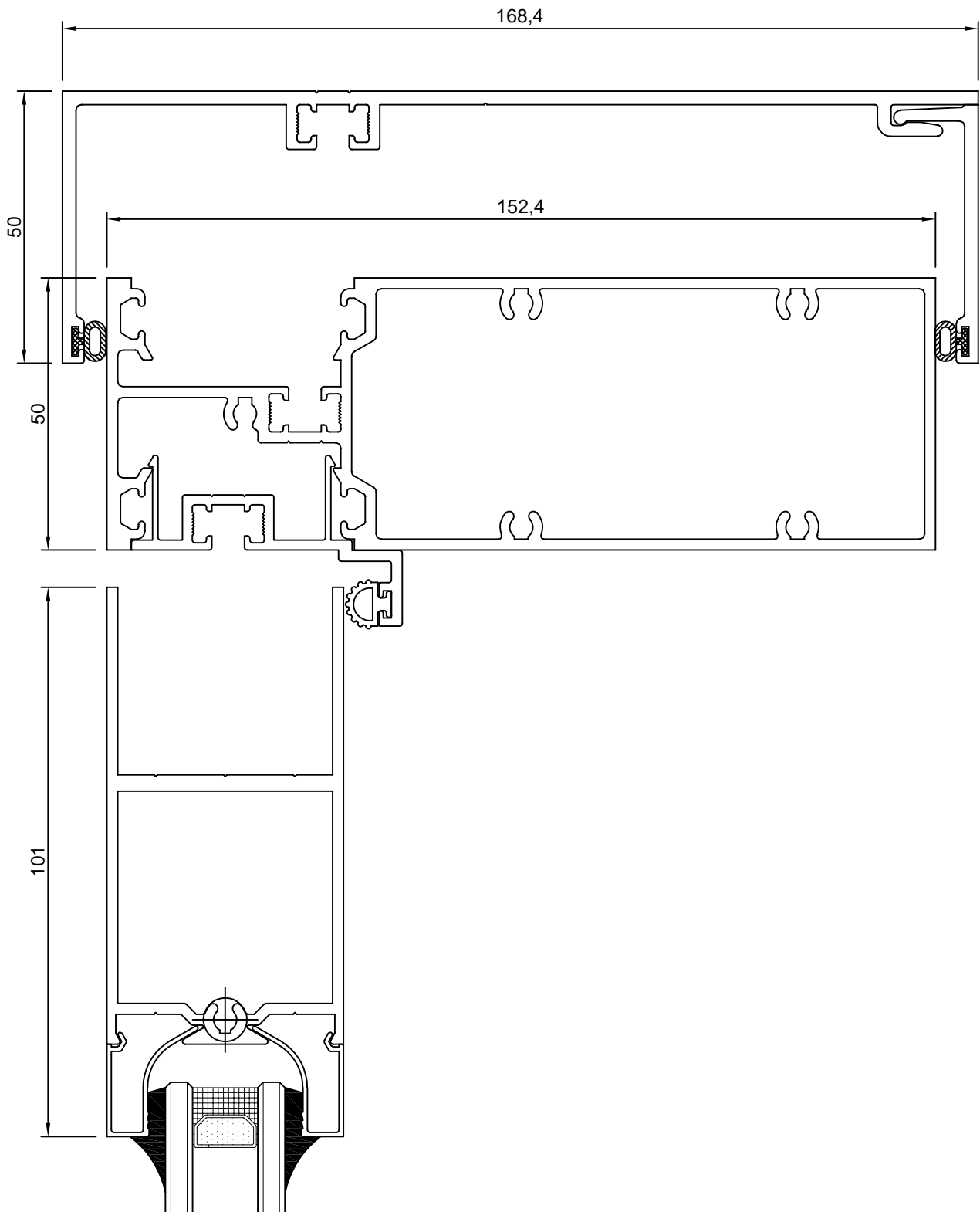


# C150 Commercial Series Hinged door



BuyWindows

## Product Detail

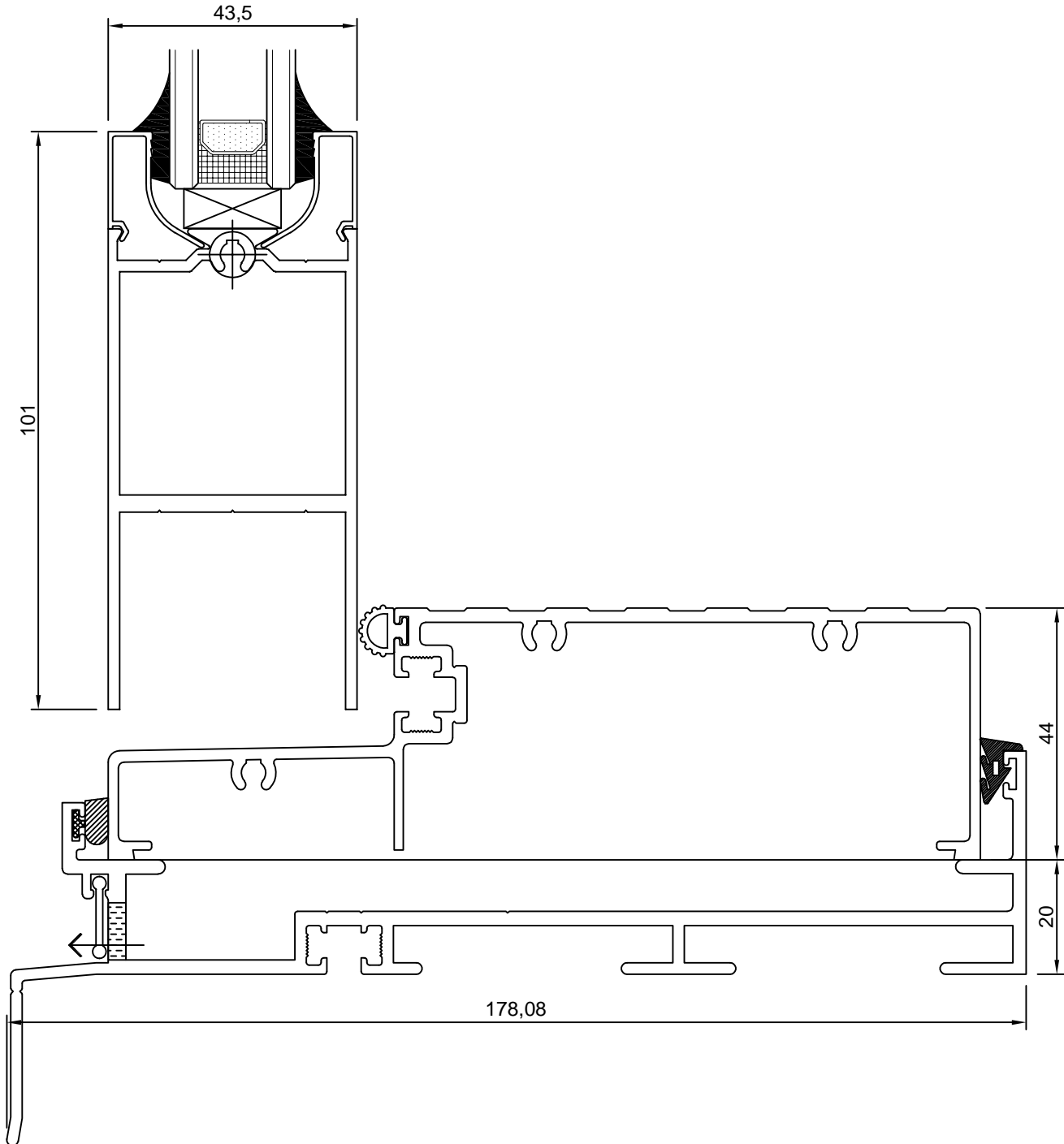


# C150 Commercial Series Hinged door



BuyWindows

## Product Detail



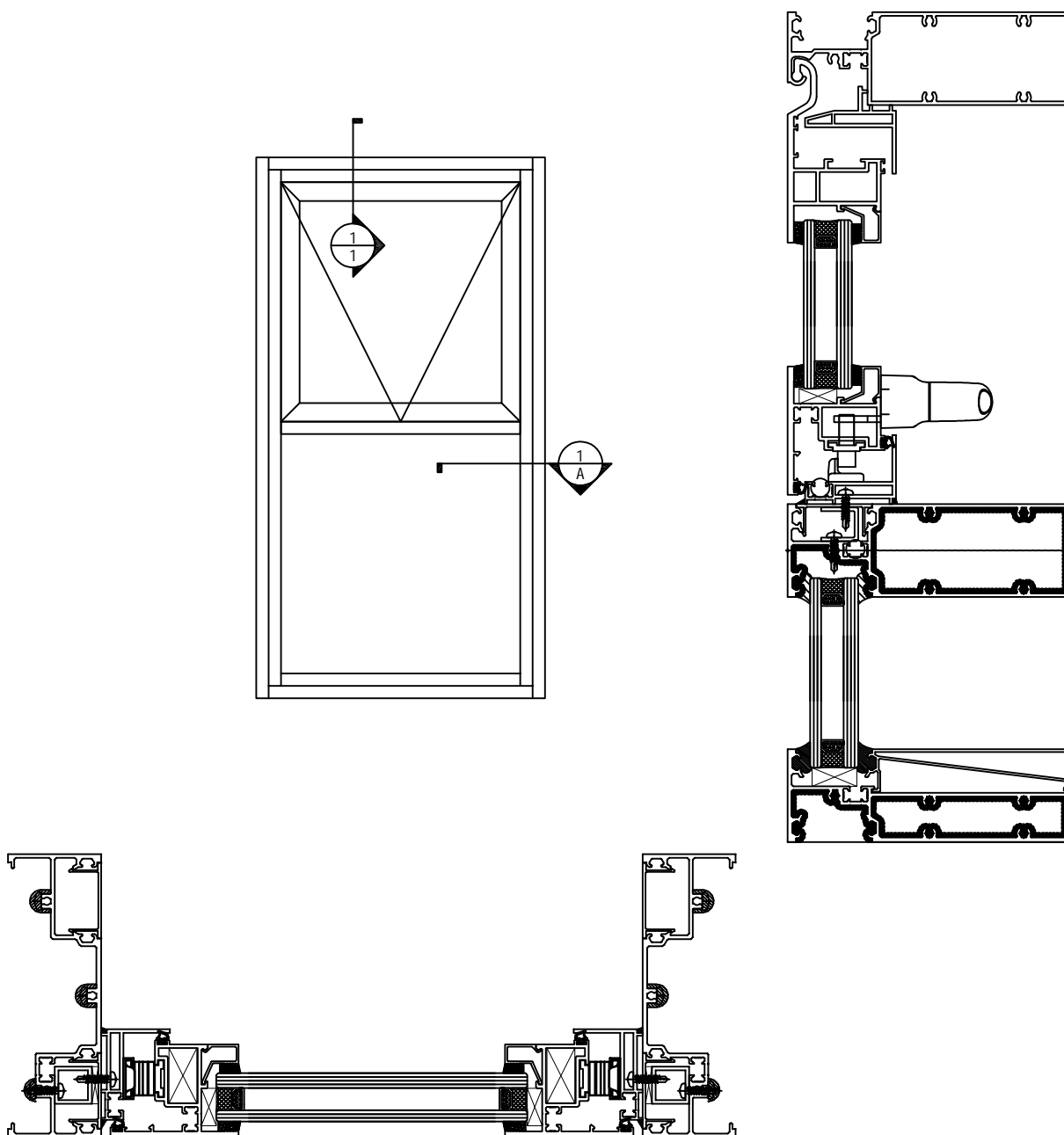
BUY WINDOWS  
COPYRIGHT - THIS DRAWING CONTAINS BUY WINDOWS  
PRIVILEGED INFORMATION AND IS THE  
SUBJECT OF COPYRIGHT AND THE  
DRAWING OR ANY PER THEREOF MAY  
NOT BE REPRODUCED, COPIED OR LOANED IN ANY FORM WITHOUT THE PERMISSION OF BUY WINDOWS

03/12/2019 V5





Product Brief Introduction



**COMPATIBLE WITH**

- C150 Thermal Broken Fix Window.
- T150 Series Sliding Door.

**Features & Benefits**

- 152.4mm X 50mm Frame.
- Architectural Applications.
- Supports Single Glazing.
- Compatible Door And Window.

**GLAZING DETAILS**

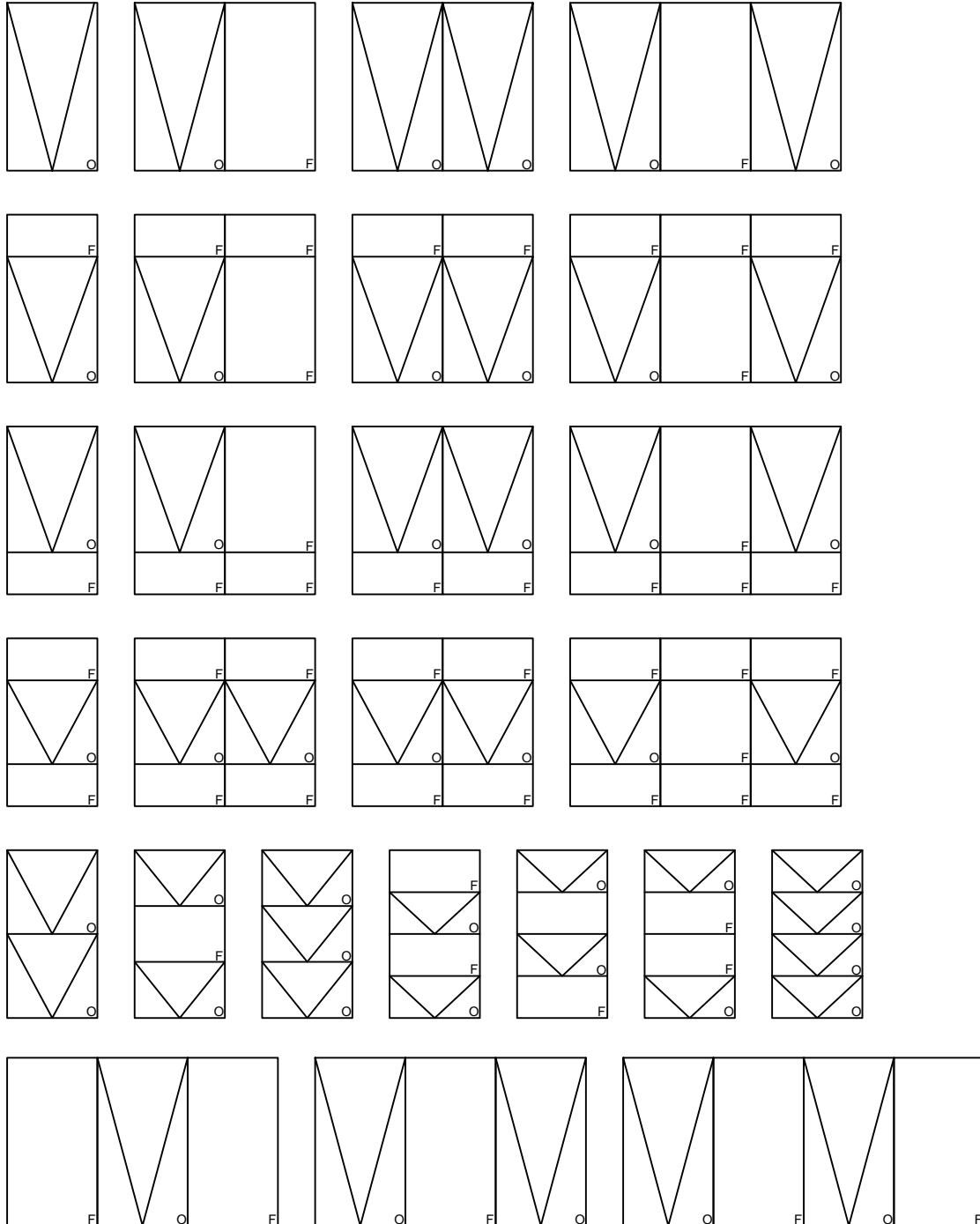
- 10.78Lam
- 5Clr;5Obs
- 6Clr;6Obs
- 5Clr/12Ar/ 5Clr
- 5Obs /12Ar/ 5Clr
- 5Low-E/12Ar/ 5Clr
- 6Clr/12Ar/ 6Clr
- 6Obs /12Ar/ 6Clr
- 6Low-E/12Ar/ 6Clr

# C150 Thermal Broken Awning Window&Fix Window(Commercial)



BuyWindows

## Product form



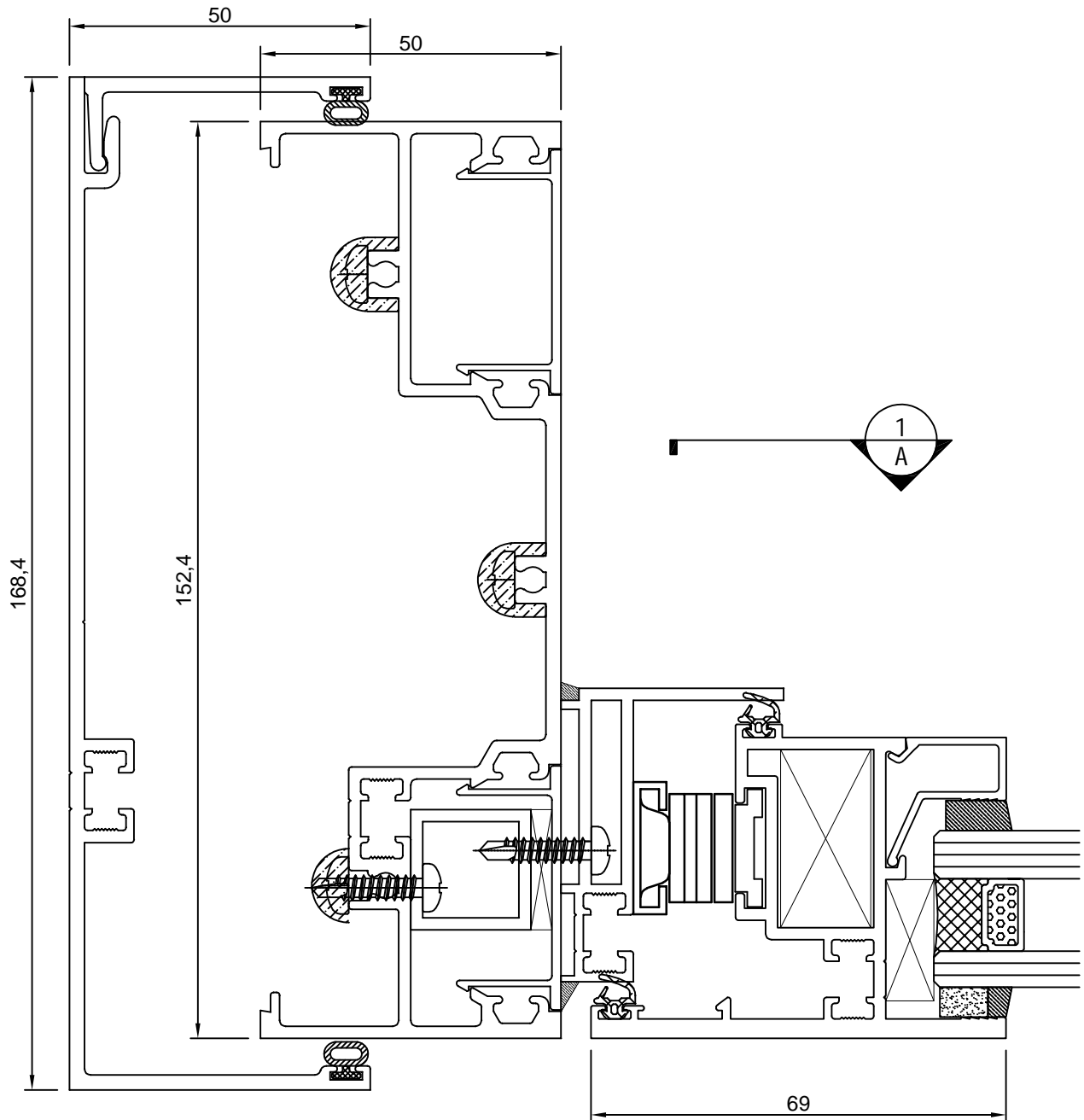
BUY WINDOWS  
COPYRIGHT - THIS DRAWING CONTAINS BUY WINDOWS  
PRIVILEGED INFORMATION AND IS THE  
SUBJECT OF COPYRIGHT AND THE  
DRAWING OR ANY PER THEREOF MAY

NOT BE REPRODUCED, COPIED OR LOANED IN ANY FORM WITHOUT THE PERMISSION OF BUY WINDOWS

03/12/2019 V5

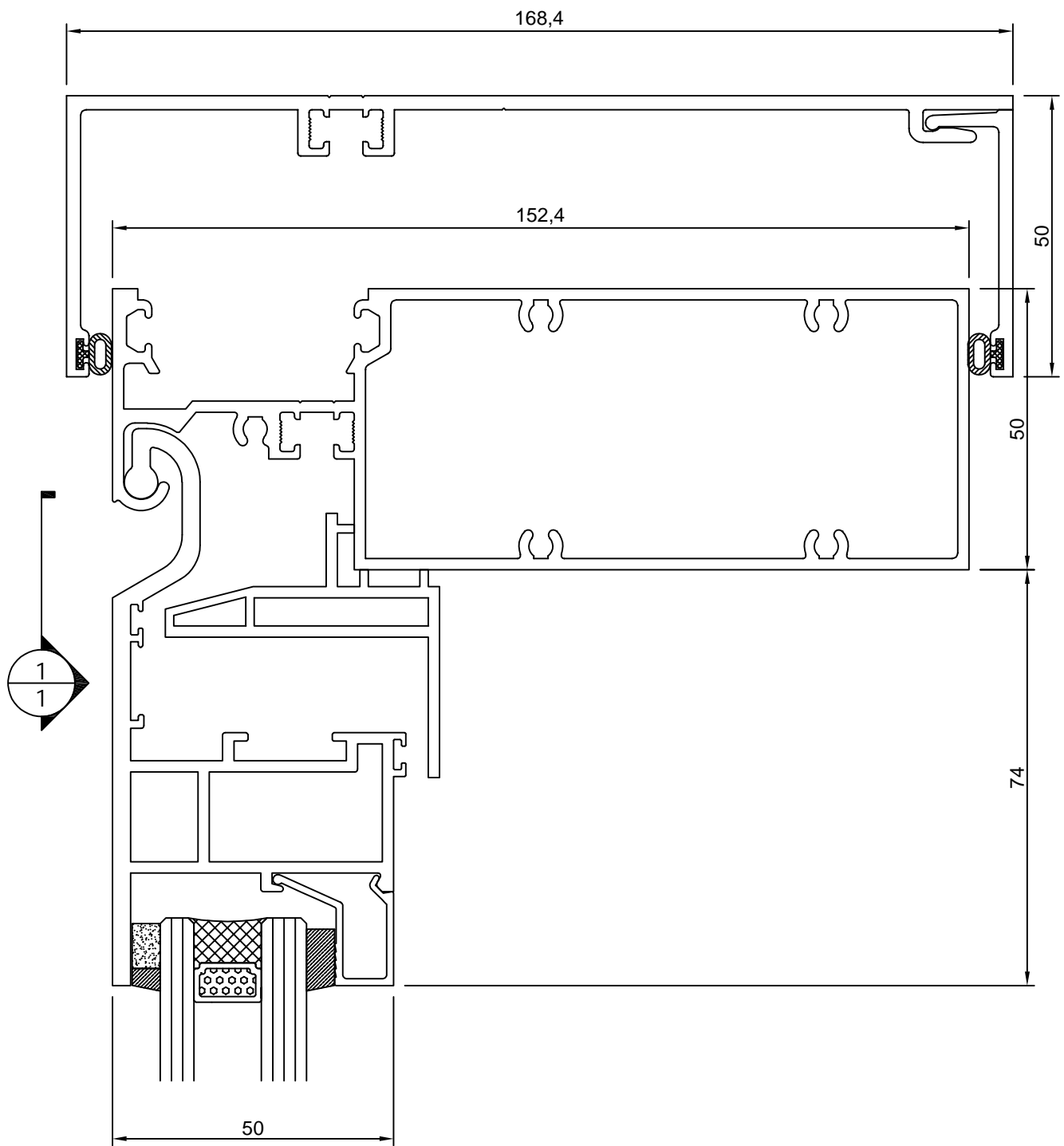


Product Detail





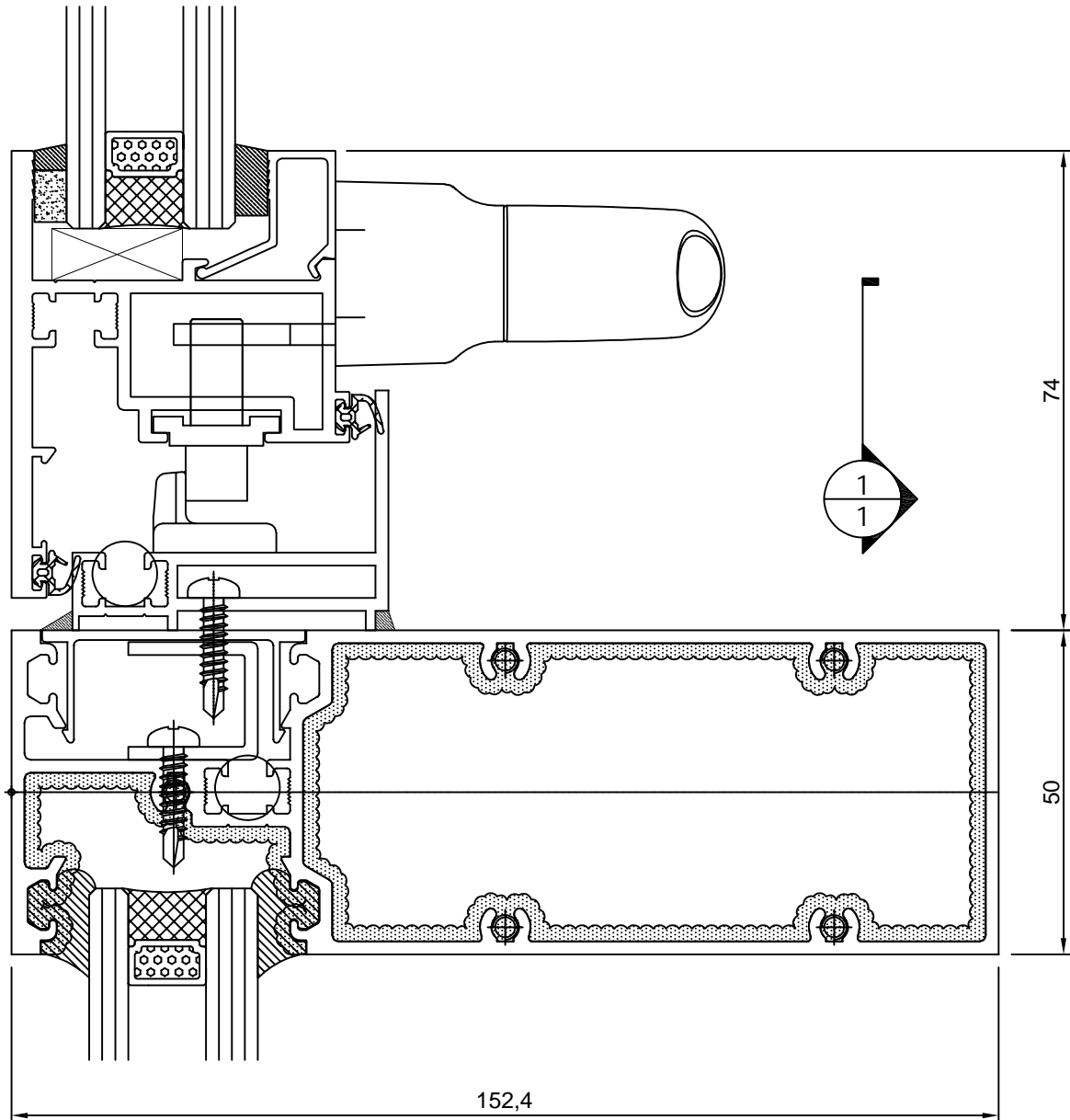
Product Detail



# C150 Thermal Broken Awning Window&Fix Window(Commercial)



## Product Detail



BUY WINDOWS  
COPYRIGHT - THIS DRAWING CONTAINS BUY WINDOWS  
PRIVILEGED INFORMATION AND IS THE  
SUBJECT OF COPYRIGHT AND THE  
DRAWING OR ANY PER THEREOF MAY  
NOT BE REPRODUCED, COPIED OR LOANED IN ANY FORM WITHOUT THE PERMISSION OF BUY WINDOWS



Product Detail

